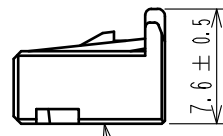
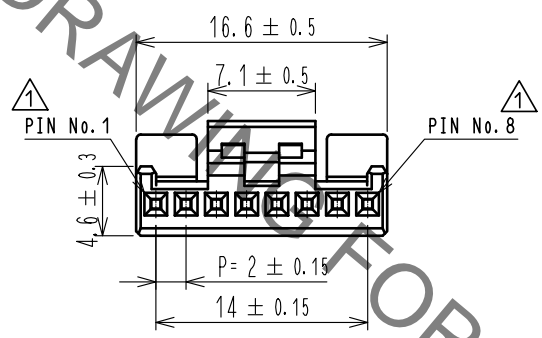
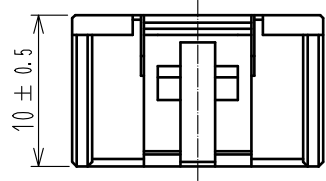


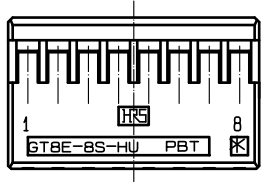
Jun.1.2019 Copyright 2019 HIROSE ELECTRIC CO., LTD. All Rights Reserved.
 In case of consideration for using Automotive equipment / device which demand high reliability, kindly contact our sales window correspondents.

ELV. RoHS COMPLIANT

⚠ Delete unnecessary lines



1



NOTE. 1 CONTACT: GT8B-2428SCF(CL758-0055-7)
 GT8E-2022SCF(CL758-0033-4)

1	PBT	BLACK						
NO.	MATERIAL	FINISH	REMARKS	NO.	MATERIAL	FINISH	REMARKS	
UNITS mm		SCALE 2 : 1	COUNT 3	DESCRIPTION OF REVISIONS DIS-T-00003731		DESIGNED DONGCHAN KIM	CHECKED HS.OZAWA	DATE 18.09.14
HIROSE ELECTRIC CO., LTD.		APPROVED : AR. SHIRAI	09.06.12	DRAWING NO.		EDC4-166704-00		
		CHECKED : TY. TAKAHASHI	09.06.12	PART NO.		GT8E-8S-HU		
		DESIGNED : YN. KADOTA	09.06.12	CODE NO.		CL758-0049-4-00		
		DRAWN : YN. KADOTA	09.06.12			1/1		