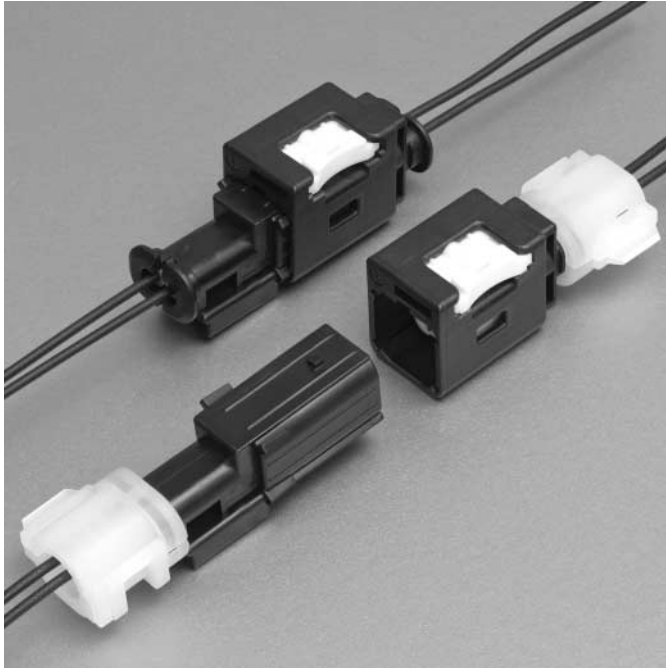


FAB CONNECTOR

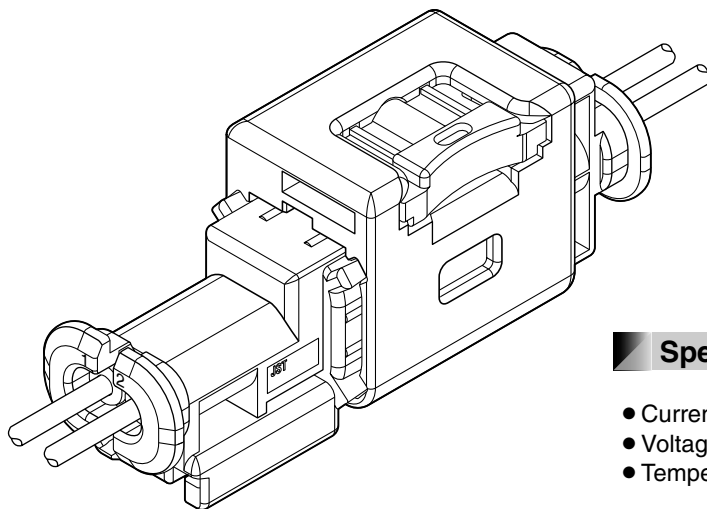
Wire-to-wire/Sealed connector



Features

- **0.64 mm Single Sealed Connector**
- **Anti Vibration Mechanism**
High reliability rigid connector enables to keep higher durability at shock and vibrated environment.
- **Fool Proof Systems**
Compression spring prevents half-connecting.

0.64 mm single sealed wire-to-wire connector with rigid design and spring lock mechanism.
Spring force prevents half-mating during mating and keeps constant rigid connection between male and female connector.

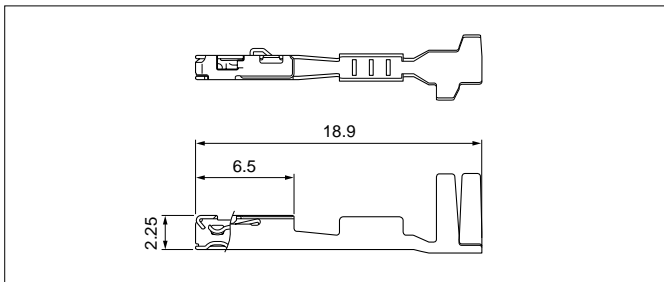


Specifications

- Current rating: 5 A DC max.
- Voltage rating: 14 V DC
- Temperature range: -40°C to +120°C
(including temperature rise in applying electrical current)
- Contact resistance: Initial value/ 10 mΩ max.
After environmental tests/ 20 mΩ max.
- Insulation resistance: Initial value/ 250 MΩ min.
After environmental tests/ 100 MΩ min.
- Withstanding voltage: 1,000 VAC/minute
- Applicable wire: AVSS, AESSX (f)
0.5 mm²

- * Compliant with ELV/RoHS.
- * Contact JST for details.

Female terminal

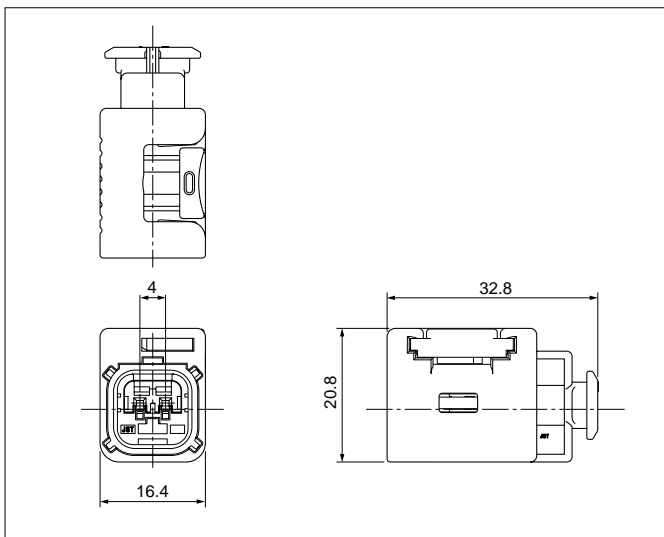


Model No.	Applicable wire range		Q'ty/reel
	Conductor (mm ²)	Insulation O.D. (mm)	
SAITS-A03GF-M064	0.5	1.6 to 1.7	3,500

Material and Finish

Copper alloy, nickel-undercoated, Contact area; gold-plated
Barrel area; tin-plated

Female connector

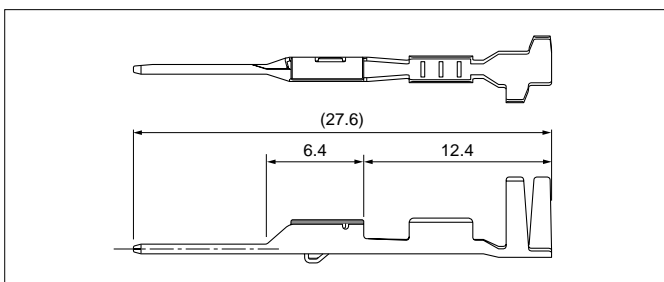


Circuits	Model No.	Q'ty/box
2	FABRB-02-1A-K	125

Material and Finish

Housing: Glass-filled PBT, Black
Slider: Glass-filled PBT, Natural (White)
Retainer: Glass-filled PBT, Natural (White)
Spring: SUS
Inner seal: Silicone

Male terminal

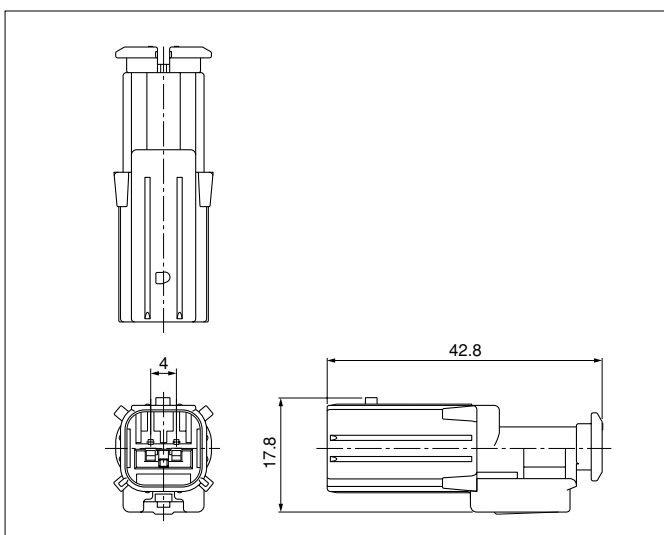


Model No.	Applicable wire range		Q'ty/reel
	Conductor (mm ²)	Insulation O.D. (mm)	
SAITWS-A03GF-064	0.5	1.6 to 1.7	3,500

Material and Finish

Brass, nickel-undercoated, Contact area; gold-plated
Barrel area; tin-plated

Male connector



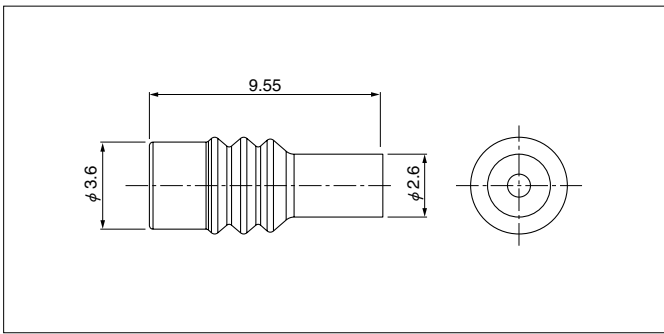
Circuits	Model No.	Q'ty/box
2	FABPB-02-2BA-K	125

Material and Finish

Housing: PA 6T, Black
Retainer: Glass-filled PBT, Natural (White)

FAB CONNECTOR

Wire seal

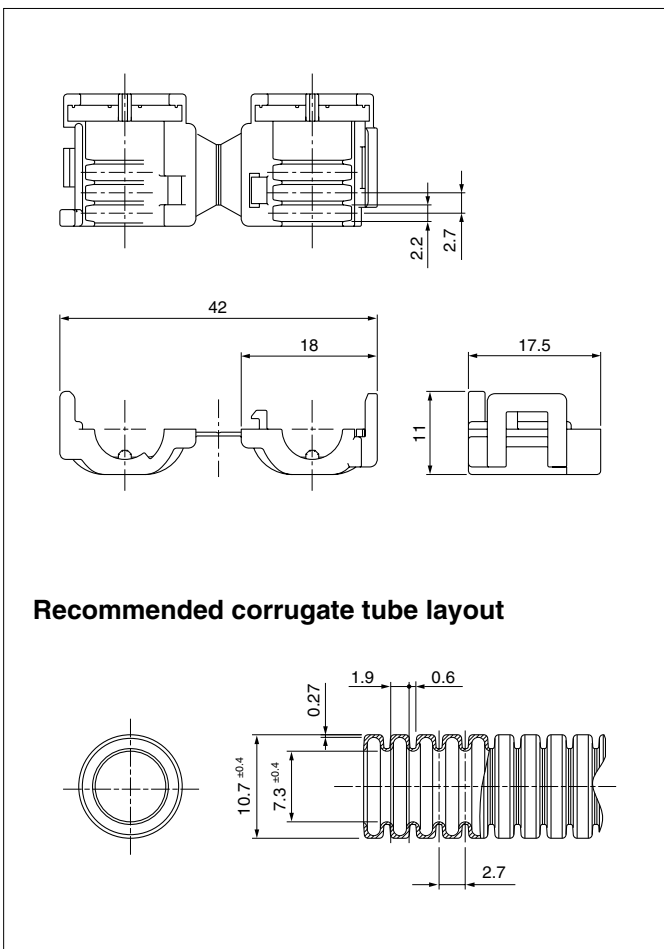


Model No.	Applicable wire range		Q'ty/box
	Conductor (mm ²)	Insulation O.D. (mm)	
A03WS-SAB-N	0.5	1.6 to 1.7	10,000

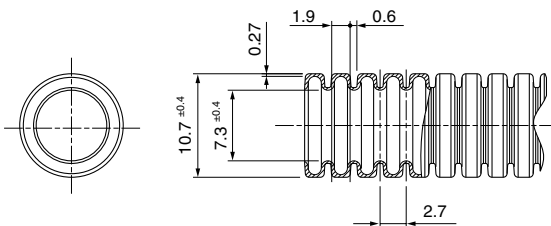
Material and Finish

Silicone

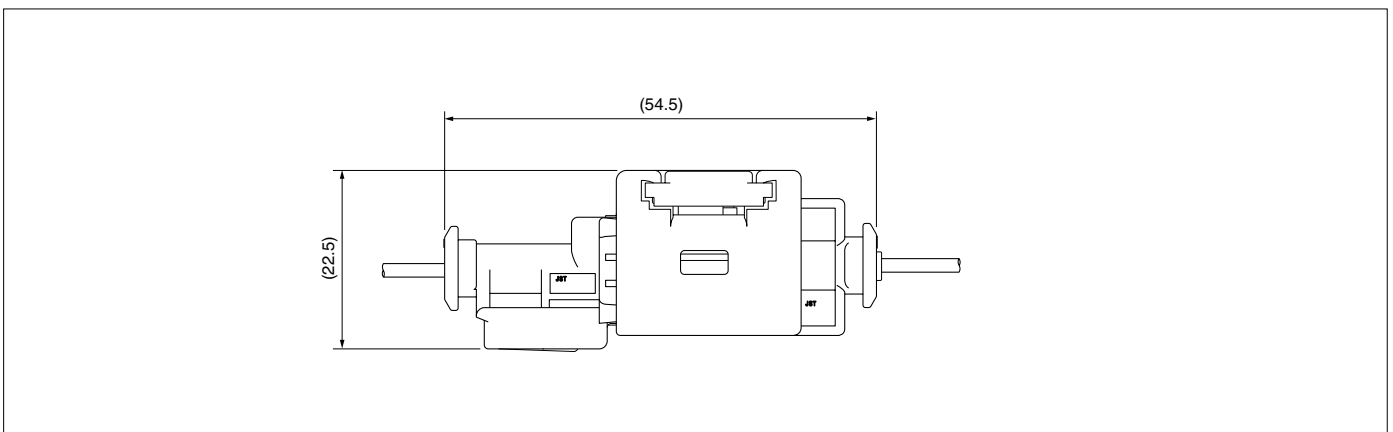
Cover



Recommended corrugate tube layout

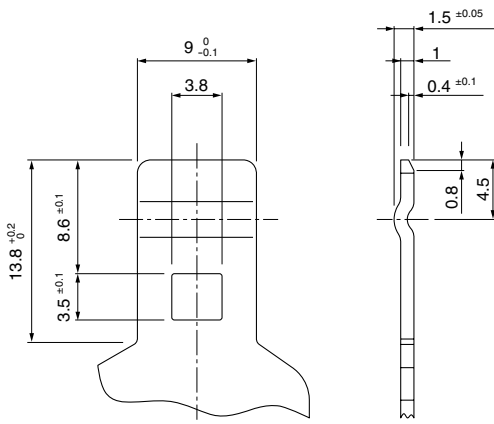


Assembly layout

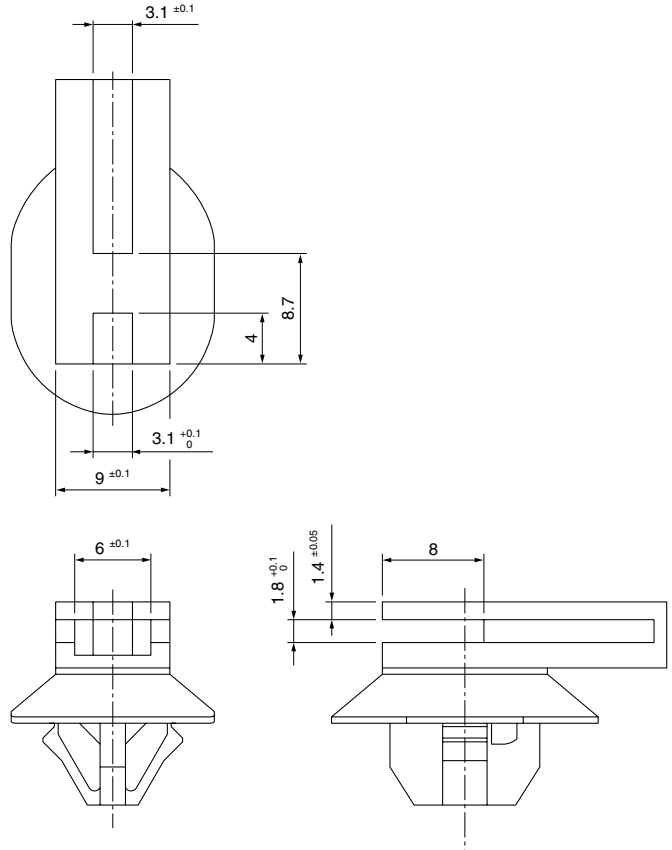


Clip layout

Recommended bracket layout



Recommended clip layout



Note: 1. The dimensions above should serve as guideline. Contact JST for details.
2. JST recommends to use clip which is made of PA.

Crimping machine, Applicator

Strip terminal	Crimping machine	Crimp applicator MKS-L	
		Dies	Crimp applicator with dies
SAITS-A03GF-M064	AP-K2N	MK/SAITS-A03-064	APLMK SAITS-A03-064
SAITWS-A03GF-064		MK/SAITWS-A03-064	APLMK SAITWS-A03-064

Note: When crimping operation is conducted using an applicator and die set other than the above, JST cannot guarantee the performance of the terminal.