



Connectors > Automotive Connectors > Connector Housings > TH/.025 CONNECTOR SYSTEM, HOUSING



Mating Tab Width: .63 mm [ .025 in ]

Connector System: **Wire-to-Wire**

Number of Positions: 10

Centerline (Pitch): 2.54 mm [ .1 in ]

Sealable: No

[All TH/.025 CONNECTOR SYSTEM, HOUSING \(202\)](#)

## Features

### Product Type Features

Connector & Housing Shape	Rectangular
Connector System	Wire-to-Wire
Sealable	No
Hybrid Connector	No

### Configuration Features

Number of Positions	10
Number of Rows	2

### Electrical Characteristics

Operating Voltage	13 VDC
Nominal Voltage Architecture	12 V

### Body Features

Body Material	PBT GF
Primary Product Color	Black

### Contact Features

Contact Size	.63mm
Mating Tab Width	.63 mm[.025 in]

### Mechanical Attachment



Terminal Position Assurance	No
Strain Relief	Without
Mating Alignment Type	Polarized
Mating Alignment	With
Connector Mounting Type	Cable Mount (Free-Hanging)

### Housing Features

Centerline (Pitch)	2.54 mm[.1 in]
--------------------	----------------

### Dimensions

Product Width	15.8 mm[.622 in]
Product Length	14.54 mm[.572 in]
Product Height	21 mm[.827 in]
Row-to-Row Spacing	3 mm[.118 in]

### Usage Conditions

Operating Temperature (Max)	70 °C, 75 °C, 80 °C, 85 °C, 90 °C, 100 °C, 105 °C[158 °F][167 °F][176 °F][185 °F][194 °F][212 °F][221 °F]
Operating Temperature Range	-40 – 105 °C[-40 – 221 °F]

### Operation/Application

Circuit Application	Signal
---------------------	--------

### Industry Standards

UL Flammability Rating	UL 94HB
------------------------	---------

### Packaging Features

Packaging Quantity	200
Packaging Method	Package

### Other

Serviceable	No
Connector Position Assurance Capable	No

### Product Compliance

For compliance documentation, visit the product page on TE.com>

EU RoHS Directive 2011/65/EU	Compliant
EU ELV Directive 2000/53/EC	Compliant



China RoHS 2 Directive MIIT Order No 32, 2016	No Restricted Materials Above Threshold
EU REACH Regulation (EC) No. 1907/2006	Current ECHA Candidate List: JAN 2022 (223) Candidate List Declared Against: JAN 2022 (223) Does not contain REACH SVHC
Halogen Content	Low Halogen - Br, Cl, F, I < 900 ppm per homogenous material. Also BFR/CFR/PVC Free
Solder Process Capability	Not applicable for solder process capability

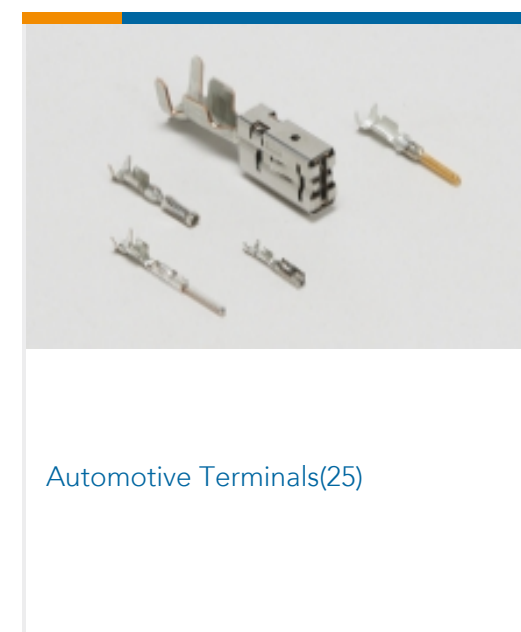
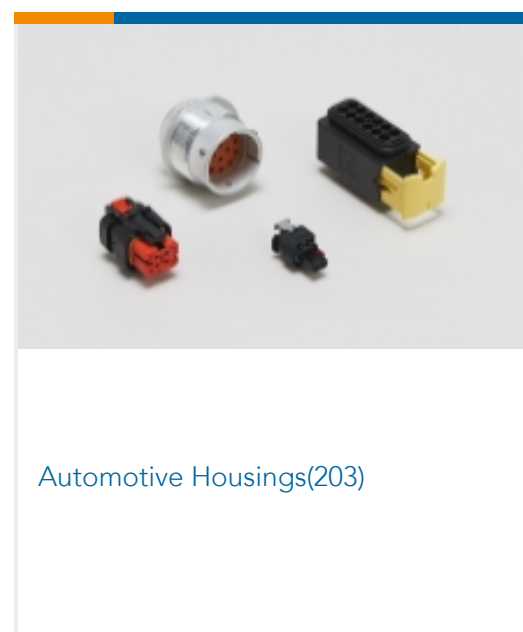
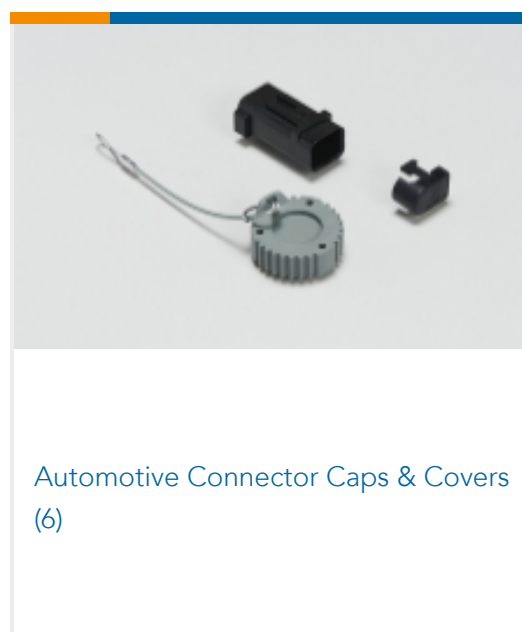
Product Compliance Disclaimer

This information is provided based on reasonable inquiry of our suppliers and represents our current actual knowledge based on the information they provided. This information is subject to change. The part numbers that TE has identified as EU RoHS compliant have a maximum concentration of 0.1% by weight in homogenous materials for lead, hexavalent chromium, mercury, PBB, PBDE, DBP, BBP, DEHP, DIBP, and 0.01% for cadmium, or qualify for an exemption to these limits as defined in the Annexes of Directive 2011/65/EU (RoHS2). Finished electrical and electronic equipment products will be CE marked as required by Directive 2011/65/EU. Components may not be CE marked. Additionally, the part numbers that TE has identified as EU ELV compliant have a maximum concentration of 0.1% by weight in homogenous materials for lead, hexavalent chromium, and mercury, and 0.01% for cadmium, or qualify for an exemption to these limits as defined in the Annexes of Directive 2000/53/EC (ELV). Regarding the REACH Regulation, the information TE provides on SVHC in articles for this part number is based on the latest European Chemicals Agency (ECHA) 'Guidance on requirements for substances in articles' posted at this URL: <https://echa.europa.eu/guidance-documents/guidance-on-reach>

### Compatible Parts



### Also in the Series | TH/.025 Connector System





Insertion & Extraction Tools(4)

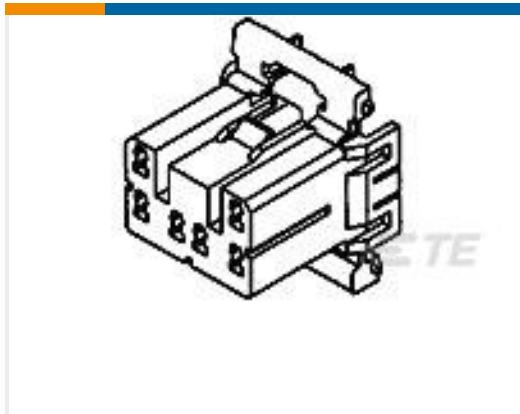


Other Automotive Connector Accessories(5)



PCB Headers & Receptacles(144)

## Customers Also Bought



TE Part #368511-1  
070 MLC PLUG 20P HSG



TE Part #1-1719386-1  
AMP MCP 9.5, CONTACT



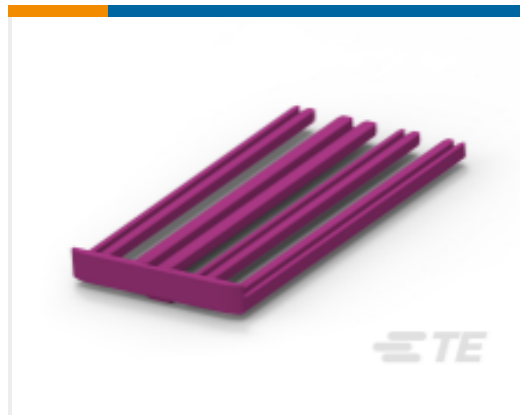
TE Part #1411576-1  
ELO 0.63, CONTACT



TE Part #1897462-2  
5ATM 12P PLUG ASSY



TE Part #2298566-1  
22POSN.,TAB ASSY, MCON1.2, MQS, MCP2.8



TE Part #2208714-2  
2. LOCK,MCON1,2 CB



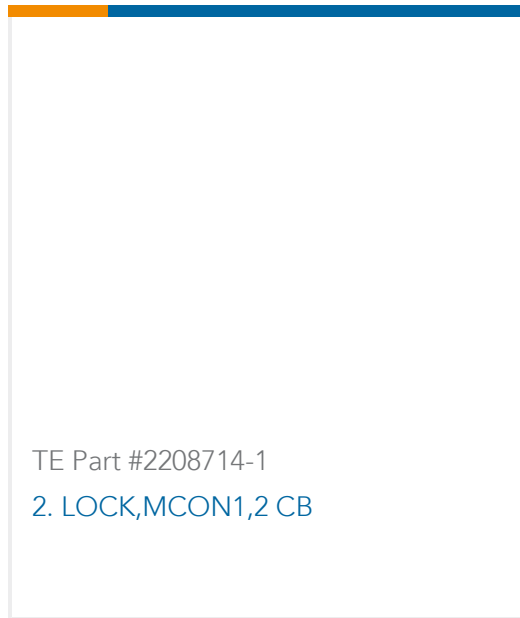
TE Part #1897013-2  
MT-2/JPT SLD 26P CAP HSG



TE Part #1813018-5  
MINI FUSE RECEPTACLE



TE Part #1813018-3  
MINI FUSE RECEPTACLE



TE Part #2208714-1  
2. LOCK,MCON1,2 CB

## Documents

**Product Drawings**  
[025 10P PLUG ASSY](#)

English

**CAD Files**

[3D PDF](#)

English

**Customer View Model**

[ENG\\_CVM\\_936163-2\\_A.2d\\_dxf.zip](#)



English

**Customer View Model**

[ENG\\_CVM\\_936163-2\\_A.3d\\_igs.zip](#)

English

**Customer View Model**

[ENG\\_CVM\\_936163-2\\_A.3d\\_stp.zip](#)

English

By downloading the CAD file I accept and agree to the [Terms and Conditions](#) of use.

---

## Datasheets & Catalog Pages

[TH/.025 Connector Series](#)

English

---

## Product Environmental Compliance

[Product Compliance](#)

English

[Product Compliance](#)

English

---

## Instruction Sheets

[Instruction Sheet \(non U.S.\)](#)

English