

8

7

6

5

4

3

2

1

F

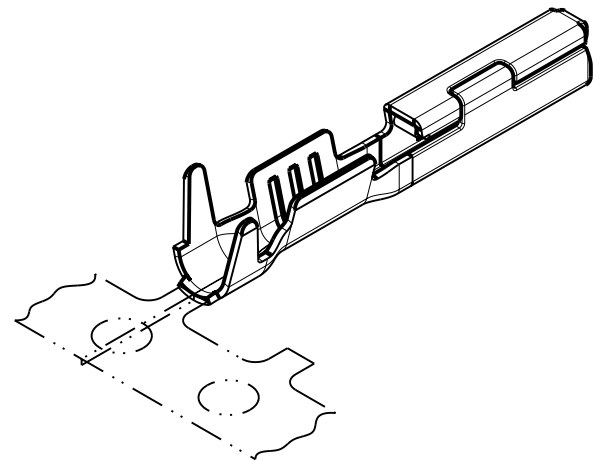
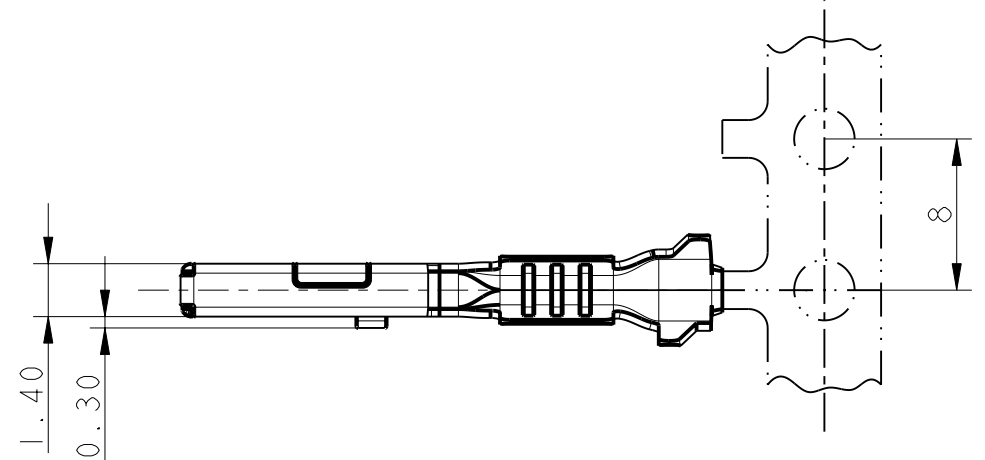
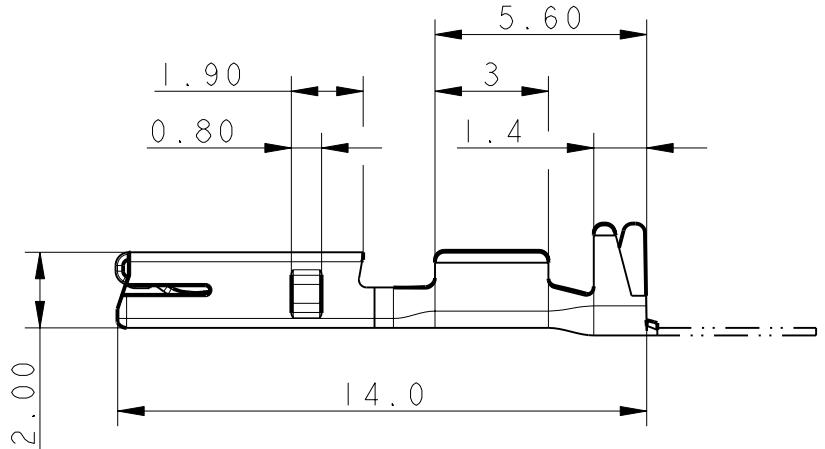
E

D

C

B

A



DO NOT SCALE DRAWING

TITLE

GTS1

0.635 X 0.635 FEMALE TERMINAL



www.fciconnect.com

CATALOG NUMBER

--



ISO PROJECTION

DIMENSION IN MILLIMETERS



SCALE

5:1

DWG SIZE

A3

SHEET

of

THIS DRAWING AND ALL OTHER INFORMATION CONTAINED THEREIN IS PROPRIETARY AND THE PROPERTY OF FCI. This drawing may not be copied, reproduced or disclosed to any third party without the expressed written permission of FCI. © FCI April 1999

8

7

6

5

4

3

2

1

Direct Links ...

- Cross Reference
- RoHS/LF P/N search
- Document & Drawing search
- Application tooling

Services ...

- Contact us
- Distributor list
- Pricing request
- Order samples

Literature ...

- Brochures & catalogs
- Product documentation
- Technical library

Start > Search=PPI0000489* > **PPI0000489**

PPI0000489

[Assistant](#) [Add to Favorites](#)



PPI0000489

GTS-1 female 0.64 mm terminal

ACTIVE

[Customer Drawing](#)

Automotive division

[Email Datasheet](#) [Print Datasheet](#)

FCI Brings You More

- [Contact our sales/technical support](#)
- [Sample request](#)
- [Price request](#)

Specifications

General Dimensional Electrical Mechanical Physical Environmental **Other Features**

General

Product Type	Terminal System
Terminal size (in mm)	0.64
Family	GTS-1

Dimensional

Contact Pitch	2.2 mm
---------------	--------

Electrical

Current Carrying Capacity at 23°C	17A
Current Carrying Capacity at 85°C	11A

Current Carrying Capacity at 100°C	9A
Current Carrying Capacity at 125°C	3A
Maximum Insulation (in mm)	1.9
Resistance (Contact)	< 5

Mechanical

Range of Wire Gauge Min - Max	0.5 mm2
Contact mating force	< 5N
Single Wire Seal Compatible	Compatible
Contact unmating force	< 3N

Physical

Plating	Sn
Material	CuNi3Si

Environmental

IMDS	No
------	----

Other Features

Type	Female
Disclaimer	Displayed data is for information purposes only. For more information, please contact your local sales office. The supply of some products might be limited to some customers.

Direct Links ...

- Cross Reference
- RoHS/LF P/N search
- Document & Drawing search
- Application tooling

Services ...

- Contact us
- Distributor list
- Pricing request
- Order samples

Literature ...

- Brochures & catalogs
- Product documentation
- Technical library

Start > Search=PPI0000490* > **PPI0000490**

PPI0000490

[Assistant](#) [Add to Favorites](#)



PPI0000490

GTS-1 female 0.64 mm terminal

ACTIVE

[Customer Drawing](#)

Automotive division

[Email Datasheet](#) [Print Datasheet](#)

FCI Brings You More

- [Contact our sales/technical support](#)
- [Sample request](#)
- [Price request](#)

Specifications

General Dimensional Electrical Mechanical Physical Environmental **Other Features**

General

Product Type	Terminal System
Terminal size (in mm)	0.64
Family	GTS-1

Dimensional

Contact Pitch	2.2 mm
---------------	--------

Electrical

Current Carrying Capacity at 23°C	17A
Current Carrying Capacity at 85°C	11A

Current Carrying Capacity at 100°C	9A
Current Carrying Capacity at 125°C	3A
Maximum Insulation (in mm)	1.9
Resistance (Contact)	< 5

Mechanical

Range of Wire Gauge Min - Max	0.75 - 0.85 mm ²
Contact mating force	< 5N
Single Wire Seal Compatible	Compatible
Contact unmating force	< 3N

Physical

Plating	Sn
Material	CuNi3Si

Environmental

IMDS	No
------	----

Other Features

Type	Female
Disclaimer	Displayed data is for information purposes only. For more information, please contact your local sales office. The supply of some products might be limited to some customers.

Direct Links ...

- Cross Reference
- RoHS/LF P/N search
- Document & Drawing search
- Application tooling

Services ...

- Contact us
- Distributor list
- Pricing request
- Order samples

Literature ...

- Brochures & catalogs
- Product documentation
- Technical library

Start > Search=PPI0001619* > **PPI0001619**

PPI0001619



PPI0001619

GTS-1 female 0.64 mm terminal

ACTIVE

[Customer Drawing](#)

Automotive division

[Assistant](#) [Add to Favorites](#)

[Email Datasheet](#) [Print Datasheet](#)

FCI Brings You More

- [Contact our sales/technical support](#)
- [Sample request](#)
- [Price request](#)

Specifications

General Dimensional Electrical Mechanical Physical Environmental **Other Features**

General

Product Type	Terminal System
Terminal size (in mm)	0.64
Family	GTS-1

Dimensional

Contact Pitch	2.2 mm
---------------	--------

Electrical

Current Carrying Capacity at 23°C	17A
Current Carrying Capacity at 85°C	11A

Current Carrying Capacity at 100°C	9A
Current Carrying Capacity at 125°C	3A
Maximum Insulation (in mm)	1.9
Resistance (Contact)	< 5

Mechanical

Range of Wire Gauge Min - Max	0.22 - 0.35 mm ²
Contact mating force	< 5N
Single Wire Seal Compatible	Compatible
Contact unmating force	< 3N

Physical

Plating	Sn
Material	CuNi3Si

Environmental

IMDS	No
------	----

Other Features

Type	Female
Disclaimer	Displayed data is for information purposes only. For more information, please contact your local sales office. The supply of some products might be limited to some customers.