

965576-1 ✓ ACTIVE

TE Internal #: 965576-1

Automotive Connector Caps & Covers, Cover - Cable Exit, Cable Exit Angle 90° (Right Angle), Black, PA, Wire-to-Board / Wire-to-Device, 4 / 7 Position

[View on TE.com >](#)



Connectors > Automotive Connectors > Connector Accessories > Connector Caps & Covers > CIRCULAR DIN BACKSHELLS



Protection & Strain Relief Accessory Type: **Cover - Cable Exit**

Cable Exit Angle: **90° (Right Angle)**

Strain Relief: **With**

Primary Product Color: **Black**

Primary Product Material: **PA**

[All CIRCULAR DIN BACKSHELLS \(16\)](#)

Features

Product Type Features

Protection & Strain Relief Accessory Type	Cover - Cable Exit
Connector System	Wire-to-Board, Wire-to-Device

Configuration Features

Number of Positions	4, 7
---------------------	------

Body Features

Cable Exit Angle	90° (Right Angle)
Primary Product Color	Black
Primary Product Material	PA

Mechanical Attachment

Strain Relief	With
---------------	------

Dimensions

Compatible Cable Bundle Diameter Range	12 mm[.472 in]
--	----------------



Usage Conditions

Compatible With Connector Style	Housing For Female Terminals, Housing For Male Terminals
Operating Temperature (Max)	70 °C, 75 °C, 80 °C, 85 °C, 90 °C, 100 °C, 105 °C, 110 °C, 120 °C [158 °F][167 °F][176 °F][185 °F][194 °F][212 °F][221 °F][230 °F][248 °F]
Operating Temperature Range	-40 – 120 °C [-40 – 248 °F]

Industry Standards

UL Flammability Rating	UL 94HB
------------------------	---------

Packaging Features

Packaging Method	Carton
------------------	--------

Other

Serviceable	Yes
-------------	-----

Product Compliance

[For compliance documentation, visit the product page on TE.com>](#)

EU RoHS Directive 2011/65/EU	Compliant
EU ELV Directive 2000/53/EC	Compliant
China RoHS 2 Directive MIIT Order No 32, 2016	No Restricted Materials Above Threshold
EU REACH Regulation (EC) No. 1907/2006	Current ECHA Candidate List: JAN 2022 (223) Candidate List Declared Against: JUL 2021 (219) SVHC > Threshold: Not Yet Reviewed
Halogen Content	Low Halogen - Br, Cl, F, I < 900 ppm per homogenous material. Also BFR/CFR/PVC Free
Solder Process Capability	Not applicable for solder process capability

Product Compliance Disclaimer

This information is provided based on reasonable inquiry of our suppliers and represents our current actual knowledge based on the information they provided. This information is subject to change. The part numbers that TE has identified as EU RoHS compliant have a maximum concentration of 0.1% by weight in homogenous materials for lead, hexavalent chromium, mercury, PBB, PBDE, DBP, BBP, DEHP, DIBP, and 0.01% for cadmium, or qualify for an exemption to these limits as defined in the Annexes of Directive 2011/65/EU (RoHS2). Finished electrical and electronic equipment products will be CE marked as required by Directive 2011/65/EU. Components may not be CE marked. Additionally, the part numbers that TE has identified as EU ELV compliant have a maximum concentration of 0.1% by weight in homogenous materials for lead, hexavalent chromium, and mercury, and 0.01% for cadmium, or qualify for an exemption to these limits as defined in the Annexes of Directive 2000/53/EC (ELV). Regarding the REACH Regulation, the information TE provides on SVHC in articles for this part number is based on the latest European Chemicals Agency (ECHA) 'Guidance on

requirements for substances in articles' posted at this URL: <https://echa.europa.eu/guidance-documents/guidance-on-reach>

Compatible Parts



TE Part # CAT-C4962-CH8172
CIRCULAR DIN HOUSINGS



TE Part # 4-967325-1
2,5MM BU-GEH 4P,BL



TE Part # 1718230-1
1,5MM PIN HSG 5-7 POS ASSY

Customers Also Bought



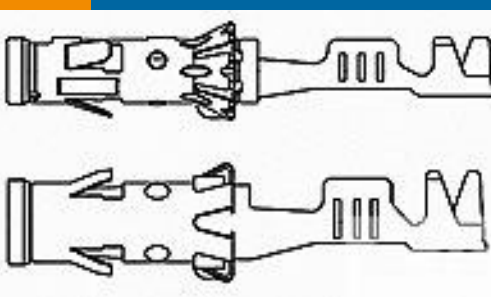
TE Part #1-967325-1
2,5MM BU-GEH 4P



TE Part #965784-1
connector ABDECKKAPPE 180GRD



TE Part #2-967629-1
TAB HOUSING, 2.8MM, 18POS.



TE Part #929974-1
BU-KONTAKT 2,5MMD



TE Part #2150046-2
OCEAN_2.0_APPLICATOR-E-110F160F



TE Part #151791-2
FASTON 375 REC FLAG 12-10 AWG TPBR LP



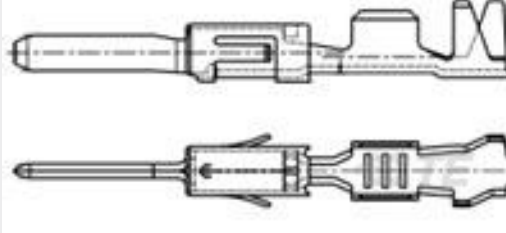
TE Part #929940-6
JPT REC 2.8 Contact SWS Ag (LP)



TE Part #928926-2
PIN .156 DIA REC 18-14 AWG SILPB



TE Part #341352
ALTERNATOR CONN.HSG.BLACK



TE Part #963901-2
TAB A 1.6x0.6 CONTACT CF SRC Sn (LP)

Documents

Product Drawings
ABDECKKAPPE 90GRD

English



CAD Files

3D PDF

3D

Customer View Model

[ENG_CVM_CVM_965576-1_D.2d_dxf.zip](#)

English

Customer View Model

[ENG_CVM_CVM_965576-1_D.3d_igs.zip](#)

English

Customer View Model

[ENG_CVM_CVM_965576-1_D.3d_stp.zip](#)

English

3D PDF

English

Customer View Model

[ENG_CVM_965576-1_C.2d_dxf.zip](#)

English

Customer View Model

[ENG_CVM_965576-1_C.3d_igs.zip](#)

English

Customer View Model

[ENG_CVM_965576-1_C.3d_stp.zip](#)

English

By downloading the CAD file I accept and agree to the [Terms and Conditions](#) of use.

Datasheets & Catalog Pages

HDSCS Catalog

English

CONNECTOR SELECTOR

English

Product Environmental Compliance

Product Compliance

English

Product Compliance

English