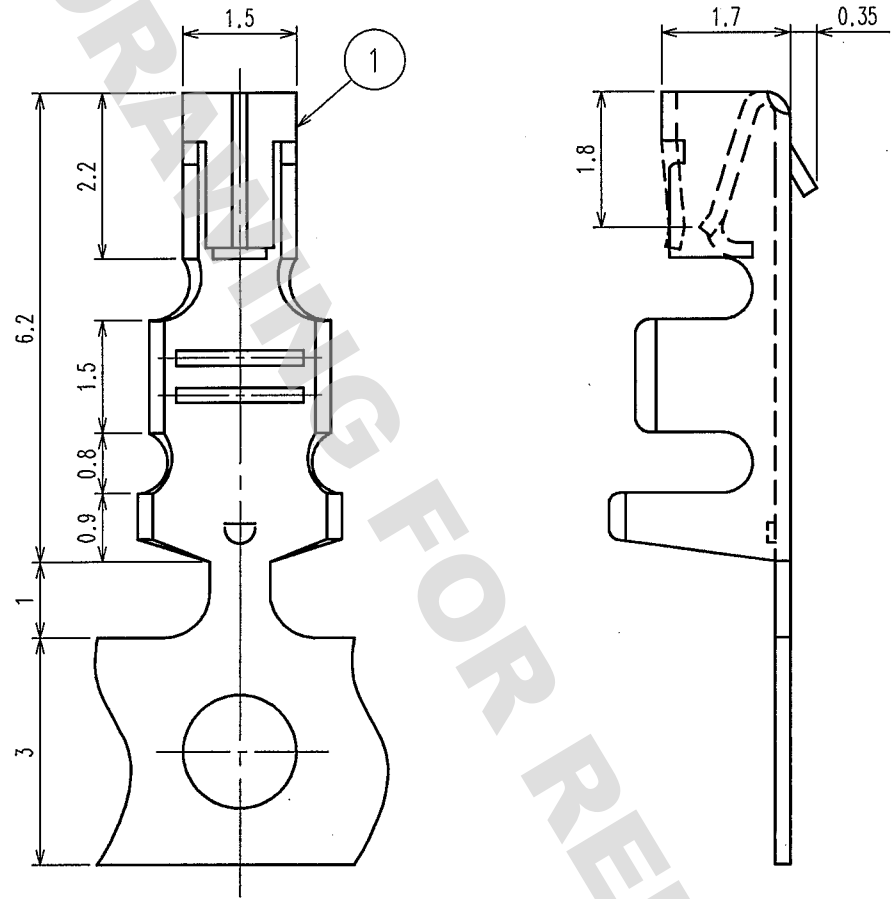


DRAWING FOR REFERENCE: This is subject to change without notice
08/11/2012

1	2				3				4				
COUNT	DESCRIPTION OF REVISIONS			BY	CHKD	DATE	COUNT	DESCRIPTION OF REVISIONS			BY	CHKD	DATE
△							△						. . .
△							△						. . .
△							△						. . .

ELV. RoHS COMPLIANT



NOTE 1. PER REEL: 10000 CONTACTS.

1	PHOSPHOR BRONZE	TIN PLATING					
NO.	MATERIAL	FINISH, REMARKS		NO.	MATERIAL	FINISH, REMARKS	
CODE NO. (OLD)	CL	DRAWN	DESIGNED	CHECKED	APPROVED	RELEASED	
		Y. KADOTA	Y. KADOTA	A. Shirai	K. Aoto		
		06.2.20	04.11.17	06.2.21	06.2.21		
DRAWING NO.		PART NO.					
EDC4-166340		GT8-2022SCF					
SCALE		CODE NO.					
10 : 1		CL758-0026-9					
UNITS		1					
mm		1					

HRS HIROSE ELECTRIC CO., LTD.

