

917308-1 ✓ ACTIVE

AMP | Multilock Connector System

TE Internal #: 917308-1

Automotive Terminals, Receptacle, Mating Tab Width .8 mm [.031 in], Tab Thickness .016 in [.4 mm], 22 – 20 AWG Wire Size, Multilock Connector System

[View on TE.com >](#)



Terminals & Splices > Automotive Terminals > MULTILOCK, RECEPTACLE AND TAB



Terminal Type: **Receptacle**

Mating Tab Width: **.8 mm [.031 in]**

Mating Tab Thickness: **.4 mm [.016 in]**

Terminal Transmits: **0 – 24 A (Low Power)**

Wire Size: **22 – 20 AWG**

[All MULTILOCK, RECEPTACLE AND TAB \(143\)](#)

Features

Product Type Features

Receptacle Style	180°
Sealable	Yes
Primary Locking Feature	Clean Body

Body Features

Terminal Seal Type	Family Seal
--------------------	-------------

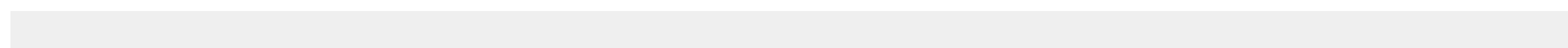
Contact Features

Crimp Type	F-Crimp
Terminal Type	Receptacle
Mating Tab Width	.8 mm [.031 in]
Mating Tab Thickness	.4 mm [.016 in]
Interface Plating	Tin (Sn)
Contact Termination Area Plating Material	Tin (Sn)

Termination Features

Termination Method to Wire & Cable	Crimp
Product Terminates To	Wire

Dimensions





Wire Size	.3 – .5 mm ²
Wire Size Search	20 AWG, 21 AWG, 22 AWG
Wire Insulation Diameter	1.4 – 1.7 mm

Usage Conditions

Insulation Option	Uninsulated
Operating Temperature (Max)	80 °C, 85 °C, 90 °C, 100 °C, 105 °C[176 °F] [185 °F][194 °F][212 °F][221 °F]
Operating Temperature Range	-40 – 105 °C[-40 – 221 °F]

Operation/Application

Compatible With Wire Base Material	Copper
------------------------------------	--------

Packaging Features

Packaging Method	Reel
Packaging Quantity	12000

Other

Terminal Transmits	0 – 24 A (Low Power)
--------------------	----------------------

Product Compliance

[For compliance documentation, visit the product page on TE.com>](#)

EU RoHS Directive 2011/65/EU	Compliant
EU ELV Directive 2000/53/EC	Compliant
China RoHS 2 Directive MIIT Order No 32, 2016	No Restricted Materials Above Threshold
EU REACH Regulation (EC) No. 1907/2006	Current ECHA Candidate List: JAN 2022 (223) Candidate List Declared Against: JAN 2022 (223) Does not contain REACH SVHC
Halogen Content	Low Halogen - Br, Cl, F, I < 900 ppm per homogenous material. Also BFR/CFR/PVC Free
Solder Process Capability	Not applicable for solder process capability

Product Compliance Disclaimer

This information is provided based on reasonable inquiry of our suppliers and represents our current actual knowledge based on the information they provided. This information is subject to change. The part numbers that TE has identified as EU RoHS compliant have a maximum concentration of 0.1% by weight in homogenous materials for lead, hexavalent chromium, mercury, PBB, PBDE, DBP, BBP, DEHP, DIBP, and 0.01% for cadmium, or qualify for an exemption to these limits as defined in the Annexes of Directive 2011/65/EU (RoHS2). Finished electrical and electronic equipment products will be CE marked as required by Directive 2011/65/EU. Components may not be CE marked. Additionally, the part numbers that TE has identified as EU ELV compliant have a maximum concentration of 0.1% by weight in homogenous

materials for lead, hexavalent chromium, and mercury, and 0.01% for cadmium, or qualify for an exemption to these limits as defined in the Annexes of Directive 2000/53/EC (ELV). Regarding the REACH Regulation, the information TE provides on SVHC in articles for this part number is based on the latest European Chemicals Agency (ECHA) 'Guidance on requirements for substances in articles' posted at this URL: <https://echa.europa.eu/guidance-documents/guidance-on-reach>

Compatible Parts



TE Part # 2305570-1
TERMINAL CUTTER, SIDE FEED



TE Part # CAT-M9194-CH8172
MULTILOCK, CONNECTOR HOUSING



TE Part # 2151132-2
OCEAN_2.0_APPLICATOR-S-050F0570A



TE Part # 1579018-4
INSERTION TOOL



TE Part # 1463405-1
SAHT MINI MULTI LOCK 22-20 ASSY



TE Part # 2-2151132-1
OCEAN_2.0_APPLICATOR-S-050F0570



TE Part # 2-2151132-2
OCEAN_2.0_APPLICATOR-S-050F0570A



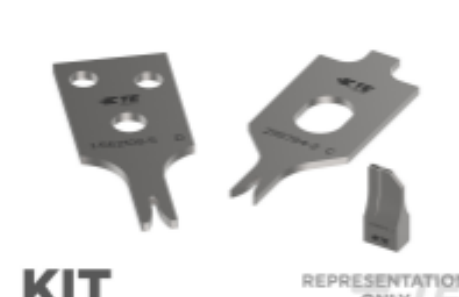
TE Part # 2151132-1
OCEAN_2.0_APPLICATOR-S-050F0570



TE Part # 7-2151132-1
OCEAN_2.0_APPLICATOR-S-050F0570




TE Part # 7-2151132-2
OCEAN_2.0_APPLICATOR-S-050F0570A



TE Part # 7-2151132-7
OCEAN_2.0_SPARE_PART_KIT-050F0570

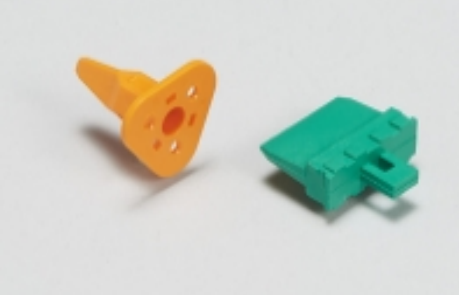
Also in the Series | Multilock Connector System




Automotive Connector Caps & Covers (16)



Automotive Connector EMC Shielding (1)



Automotive Connector Locks & Position Assurance(2)



Automotive Housings(575)



Automotive Seals & Cavity Plugs(2)



Automotive Terminals(141)



Insertion & Extraction Tools(6)



Other Automotive Connector Accessories(9)



PCB Headers & Receptacles(129)

Customers Also Bought



TE Part #1379668-1
TH/.025 CONNECTOR SYSTEM,
HOUSING



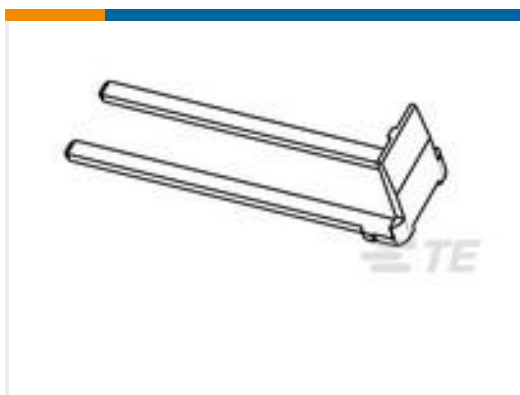
TE Part #2-1718645-1
4POS, MCON 1.2 LL REC SEALED



TE Part #1456985-1
1X6 Fem unsealed LP assy Key B



TE Part #2-2112780-1
18POS, MIXED,REC HSG,ASSY,
SEALED



TE Part #1670789-1
2. LOCK



TE Part #2112758-1
COVER



TE Part #170058-1
FF 110 TAB 24-20AWG BR



TE Part #2298559-2
COVER ASSY, MQS 2X16POSN.

Documents

Product Drawings

[MINI MLC CONN REC CONT.](#)

English

Datasheets & Catalog Pages

[MULTILOCK Connector System](#)

English

Product Specifications



Application Specification

English

CRIMPING OF MINI-MULTI-LOCK CONNECTOR CONTACTS

English

Product Environmental Compliance

TE Material Declaration

English

Instruction Sheets

Mini Multilock Connector

English

Mini Multilock Connector

Japanese