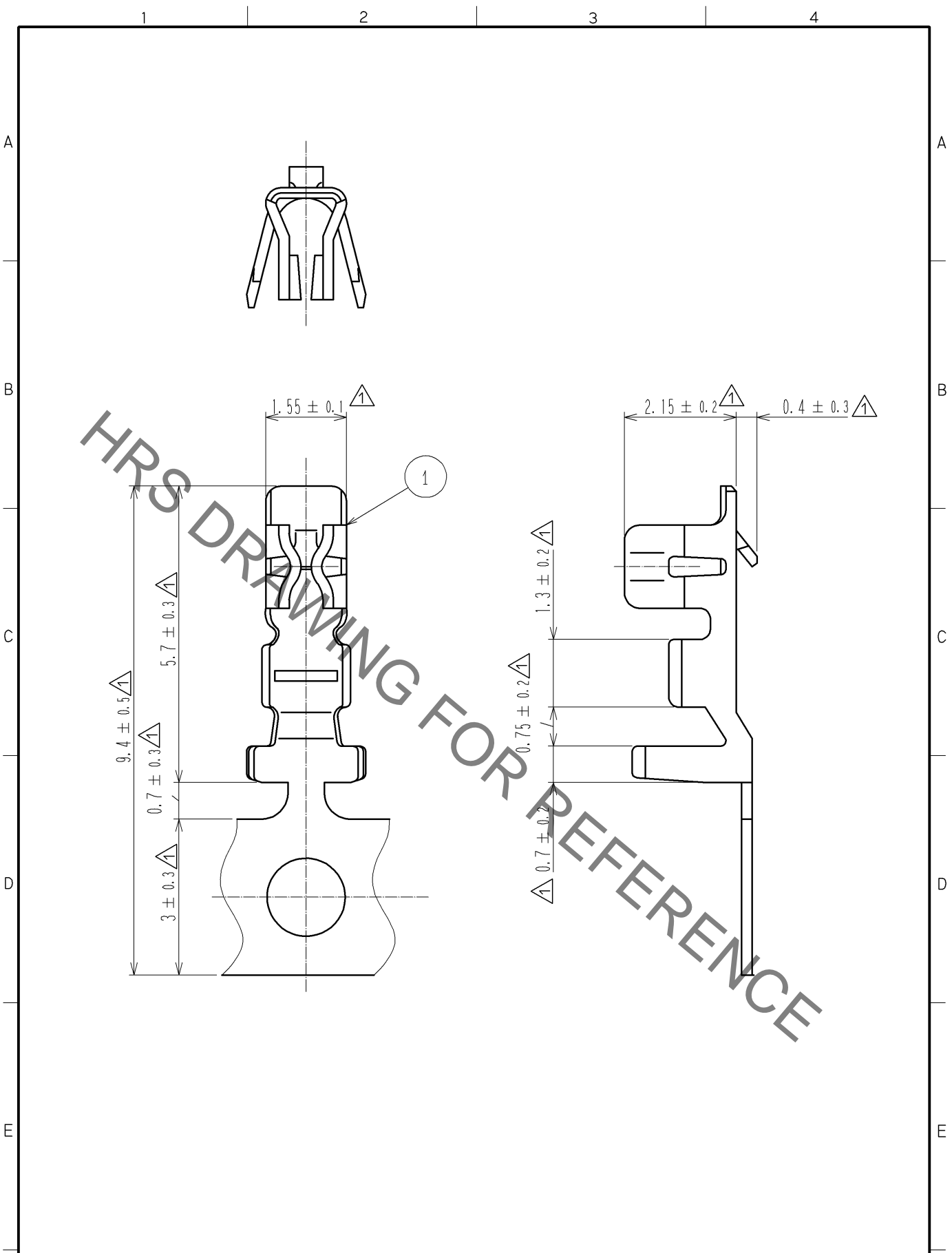


Oct.1.2019 Copyright 2019 HIROSE ELECTRIC CO., LTD. All Rights Reserved.
 In case of consideration for using Automotive equipment / device which demand high reliability, kindly contact our sales window correspondents.



NO.		MATERIAL		FINISH . REMARKS		1		PHOSPHOR BRONZE		TIN PLATING : 1μm min (A)			
UNITS		SCALE		COUNT		DESCRIPTION OF REVISIONS		DESIGNED		CHECKED		DATE	
mm		10 : 1		11		DIS-H-002402		AK. MIURA		HK. UMEHARA		07. 08. 30	
HIROSE ELECTRIC CO., LTD.		APPROVED : KJ. KATAYOSE		05. 01. 05		DRAWING NO.		EDC4-018921-00					
		CHECKED : TY. OMA		05. 01. 05		PART NO.		DF3-2428SCF					
		DESIGNED : IO. DENPOUYA		05. 01. 05		CODE NO.		CL543-0001-2-00					
		DRAWN : IO. DENPOUYA		05. 01. 05									