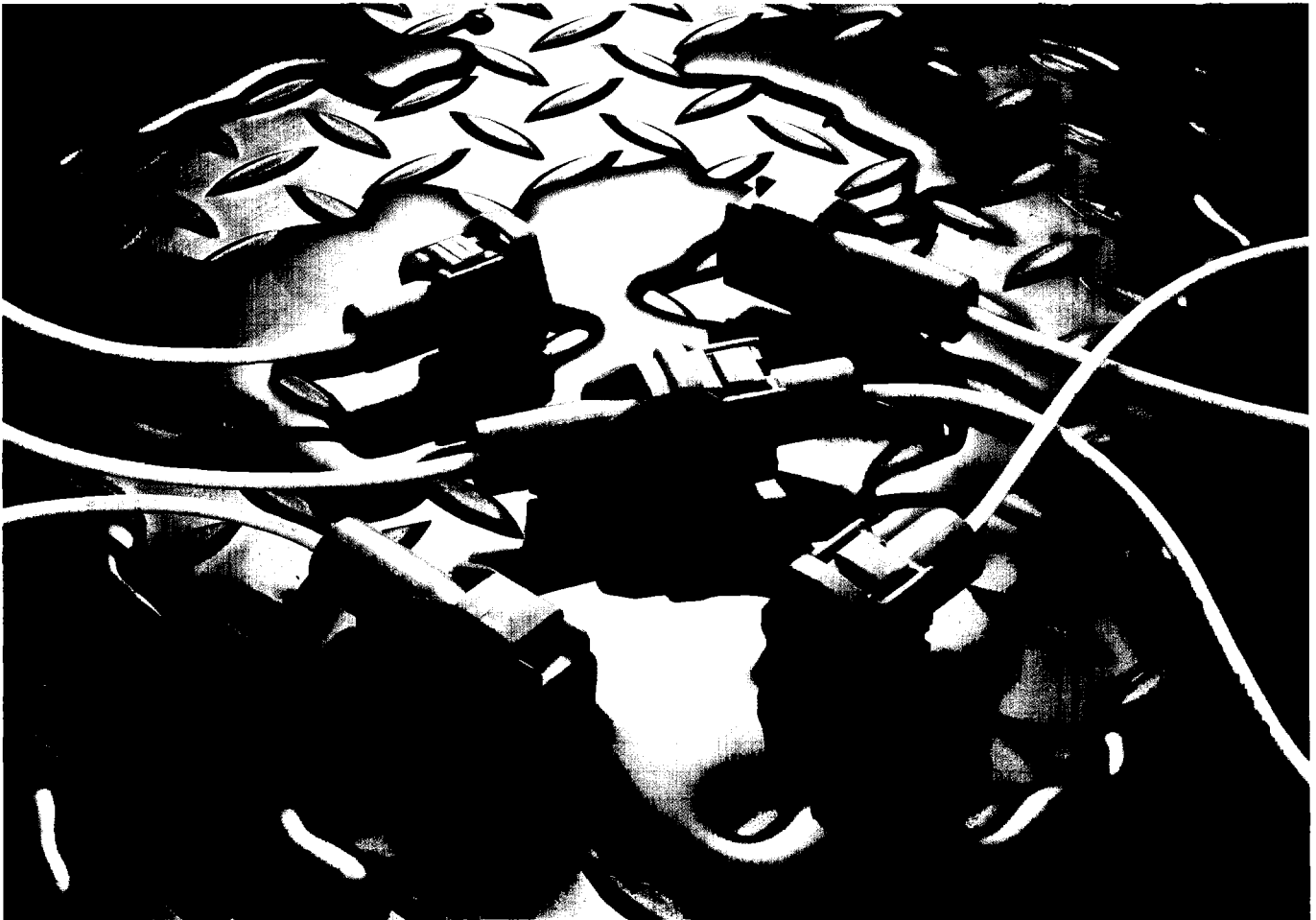


312 SEALED CONN.



312 SEALED CONNECTOR

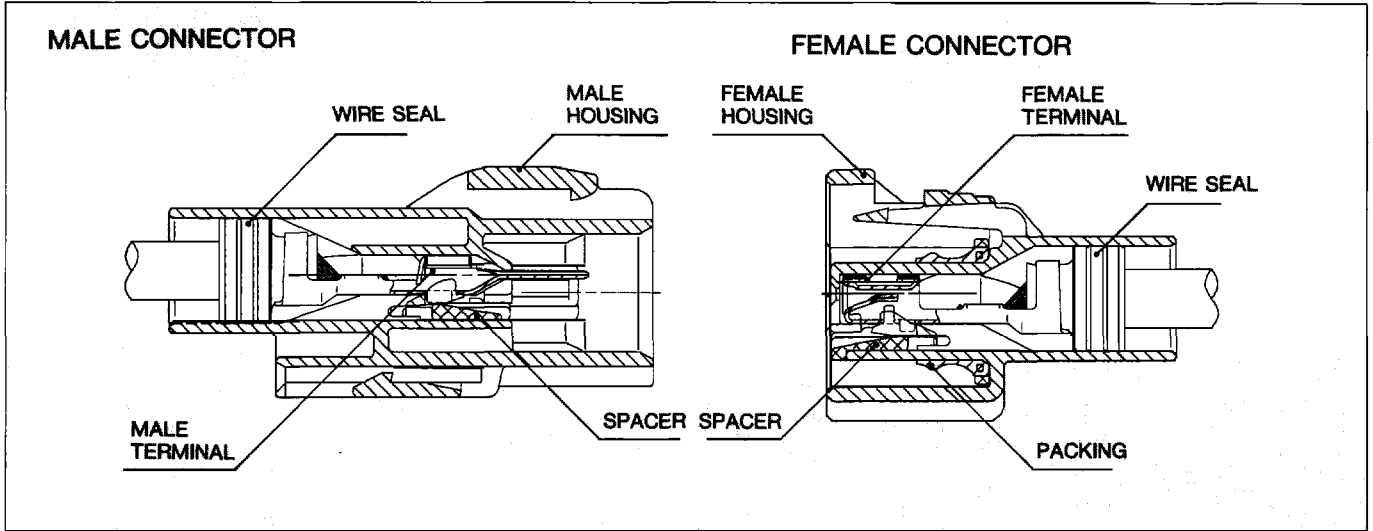
IMPROVED DESIGN OF THE 305 SIZE SEALED CONNECTOR FOR HIGHER RELIABILITY.

THE BLADE WIDTH OF THE MALE TERMINAL FOR THIS CONNECTOR IS 0.312 INCHES.

(DISTINCTIVE FEATURES)

- 1. DOUBLE TERMINAL LOCKING SYSTEM ELIMINATES TERMINAL PUSH-OUT.
(HOUSING LANCE, SIDE LOCK).**
- 2. CONNECTORS CANNOT BE MATED IF PRESET TERMINAL SPACER IS NOT IN THE FULL-LOCK POSITION.**

CONSTRUCTION



SPECIFICATIONS

MATERIAL	HOUSING	PBT
	MALE TERMINAL	BRASS (TIN PLATING)
	FEMALE TERMINAL	BRASS (TIN PLATING)
*CURRENT CAPACITY (REFERENCE)		42A
RESISTANCE AT LOW VOLTAGE		3mΩ MAX. (INITIAL VALUE)
INSULATION RESISTANCE		DC500V 100MΩ MIN.
DIELECTRIC STRENGTH		AC1000V (1 min.)

*CURRENT CAPACITY WILL BE AFFECTED BY CONDITIONS SUCH AS POLE QUANTITY, WIRE SIZE, AMBIENT TEMPERATURE, ETC.

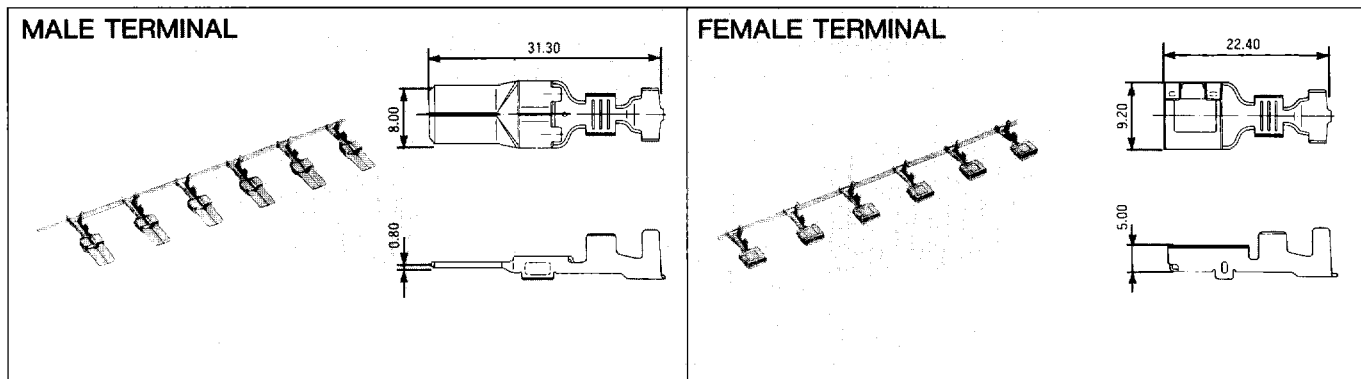
PART NUMBER CHART

PART NAME	MALE TERMINAL	FEMALE TERMINAL	
TERMINAL	7114-6046	7116-6046	
	7114-6047	7116-6047	
PART NAME	COMMON FOR MALE AND FEMALE		
WIRE SEAL	7157-3853-40		
	7157-3854		
	7157-8764(CAVITY PLUG)		
PART NAME	POLES	MALE CONNECTOR	FEMALE CONNECTOR
HOUSING	1	7282-3013-10	7283-3013-10

OTHER HOUSING COLORS ARE AVAILABLE TO MEET YOUR REQUEST.

TERMINAL

UNIT:mm

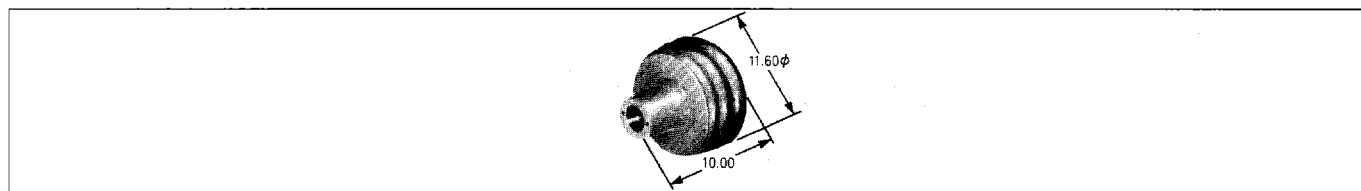


■ SPECIFICATIONS

PART NAME	PART NUMBER	MATERIAL	TREATMENT	MATERIAL THICKNESS
MALE TERMINAL	7114-6046	BRASS	TIN PLATING	t=0.4
	7114-6047			
FEMALE TERMINAL	7116-6046	BRASS	TIN PLATING	t=0.4
	7116-6047			

WIRE SEAL

UNIT:mm



■ SPECIFICATIONS

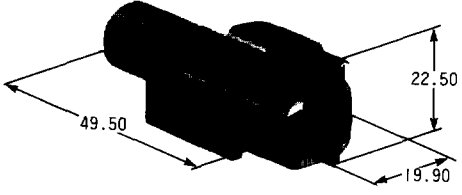
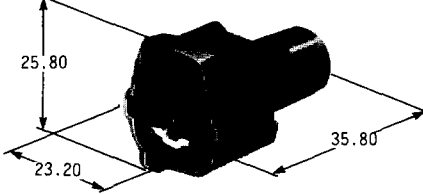
PART NAME	PART NUMBER	MATERIAL	COLOR	NOTE
WIRE SEAL	7157-3853-40	NBR	GRAY	
	7157-3854	NBR	BLACK	
	7157-8764	NBR	BLACK	CAVITY PLUG

● APPLICABLE WIRE CHART (TERMINAL・WIRE SEAL)

PART NAME	WIRE SIZE (mm ²)	WIRE TYPE	PART NUMBER	PART NUMBER OF WIRE SEAL
MALE TERMINAL	2	AVS	7114-6046	7157-3853-40
	3	AVS	7114-6046	7157-3853-40
	5	AVS	7114-6047	7157-3854
	8	AV	7114-6047	7157-3854
FEMALE TERMINAL	2	AVS	7116-6046	7157-3853-40
	3	AVS	7116-6046	7157-3853-40
	5	AVS	7116-6047	7157-3854
	8	AV	7116-6047	7157-3854

HOUSING MATERIAL: PBT

UNIT: mm

POLES	MALE HOUSING	FEMALE HOUSING
1	 <p data-bbox="392 609 600 645">7282-3013-10</p>	 <p data-bbox="1016 609 1224 645">7283-3013-10</p>