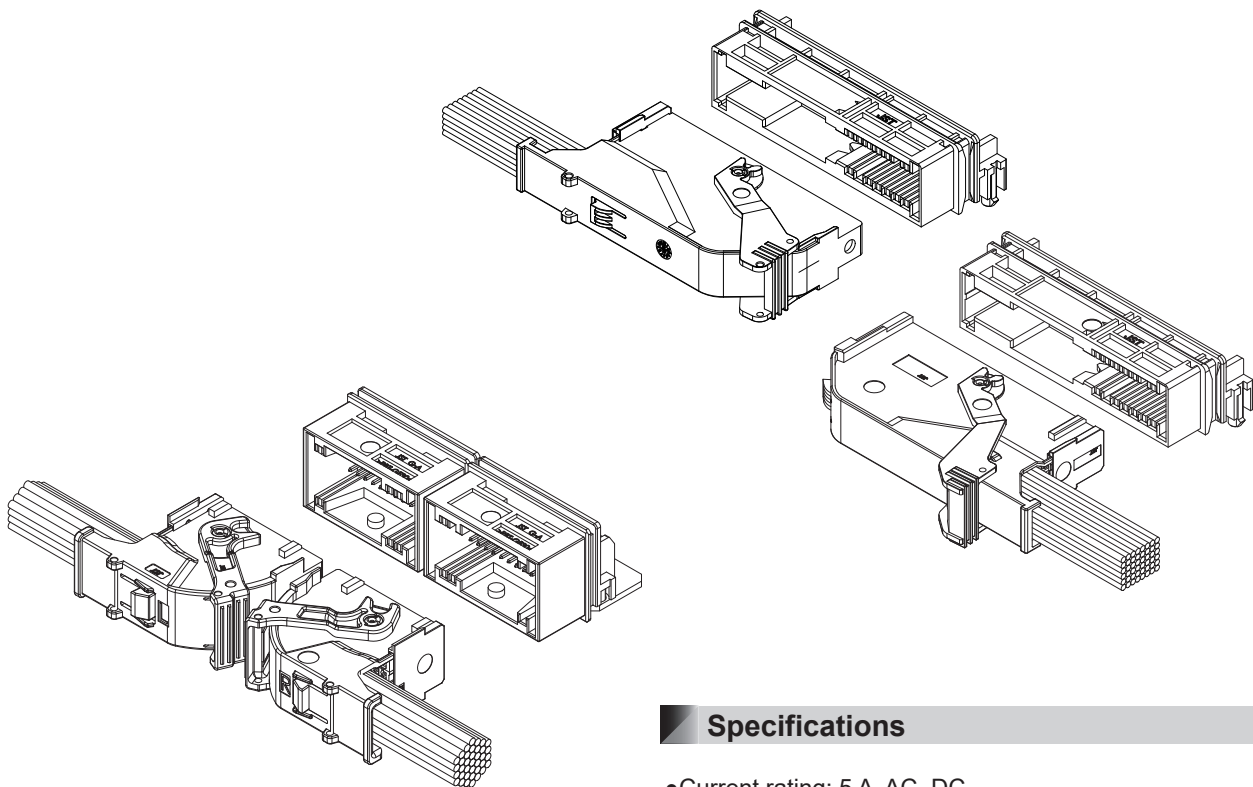


Realized low insertion force with lever mechanism. These connector have the variousable to color/ key/ pin arrange corresponding to needs, hance the connector type suitable can be selected.



Features

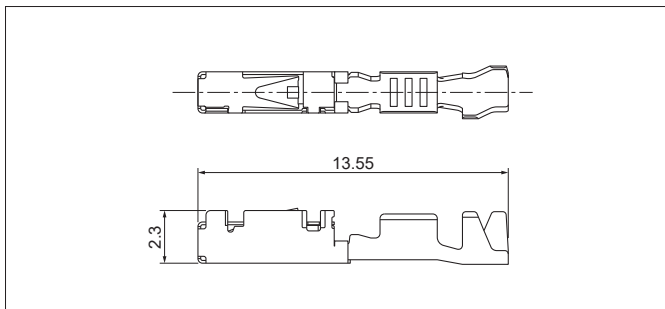
- **Variation**
Various pin arrangement/ housing color/ key code/ harness direction selectable.
- **Terminal Construction**
Four contact points and dual springs achieve high reliability.
- **Lever Mating**
The lever mechanism is adopted to reduce the insertion force in mating male and female connector.

Specifications

- Current rating: 5 A AC, DC
- Withstanding voltage: 1,000 VAC/minute
- Temperature range: -40°C to +85°C
(including temperature rise in applying electrical current)
- Contact resistance: Initial value/ 15 mΩ max.
After environmental tests/ 15 mΩ max.
- Insulation resistance: 100 MΩ min.
- Applicable wire: AVSS
0.3 mm² to 0.5 mm²
FLRY-A
0.35 mm² to 0.5 mm²

* Compliant with ELV/RoHS.
* Contact JST for details.

Female terminal



Model No.	Applicable wire range		Q'ty/reel
	Conductor (mm ²)	Insulation O.D. (mm)	
SGIT-B021T-MS0.64	0.35 to 0.5	1.4 to 1.7	9,000

Material and Finish

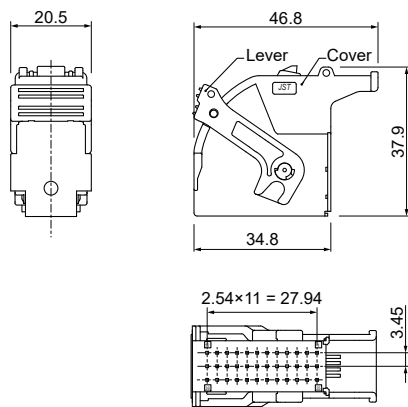
Terminal box: SUS

Terminal spring: Copper alloy, tin-plated

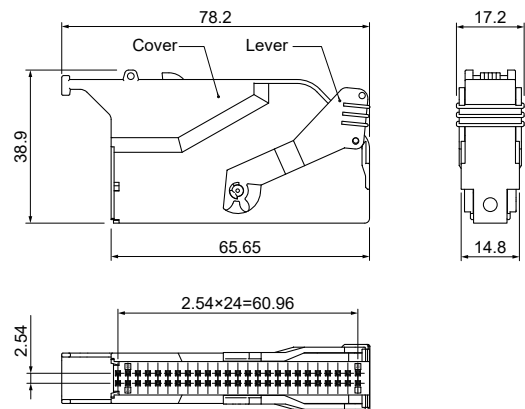
Female connector

Cover housing

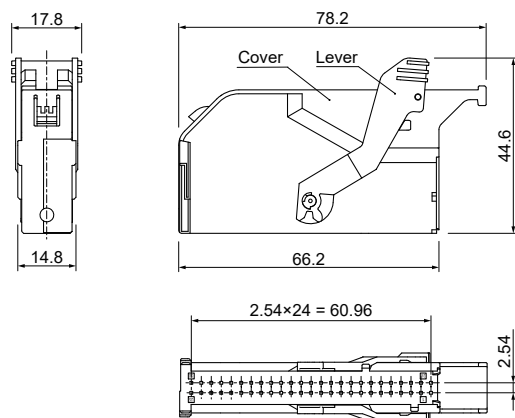
• 36GIT-CL-1A-()-() ()



• 50GIT-CL-1A-01()-() Harness Left Direction



• 50GIT-CL-2A-37()-() Harness Right Direction



Circuits	Model No.	Q'ty/box
36	36GIT-CL-1A-()-() ()	360
50	50GIT-CL-1A-01()-()	360
	50GIT-CL-2A-37()-()	360

Material and Finish

Cover housing: Glass-filled PBT

Color: GIT 36P: Yellow, Orange, White (Left Direction)

Black (Right Direction)

GIT 50P: Yellow (Left Direction)

Orange (Right Direction)

Lever: Glass-filled PBT

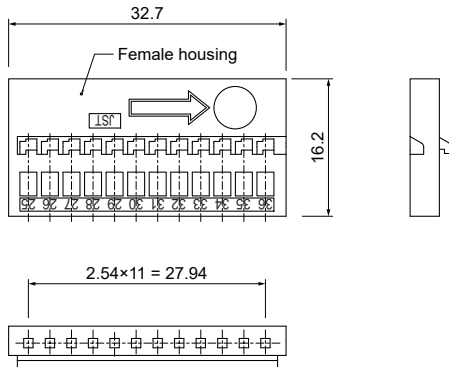
Color: GIT 36P: Black

GIT 50P: Gray, Green, Black

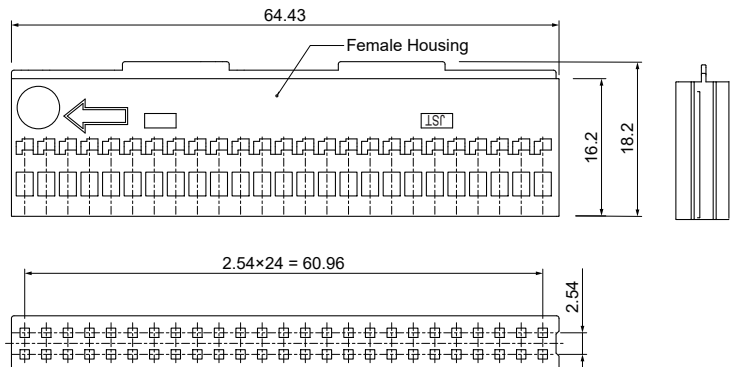
Female connector

Female housing

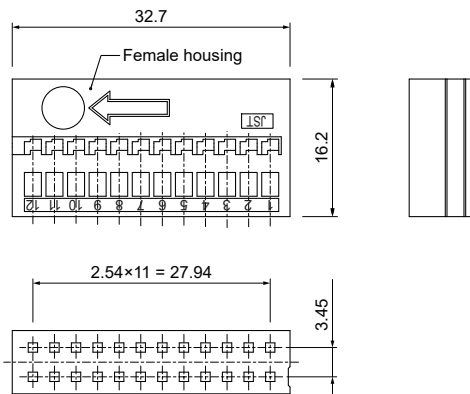
• GITR-12H-3(-)-K



• GITR-50H-(-)A-K



• GITR-24H-1(-)-K



Circuits	Model No.	Q'ty/box
36	GITR-12H-3()-K	1,500
	GITR-24H-1()-K	900
50	GITR-50H-()A-K	600

Material and Finish

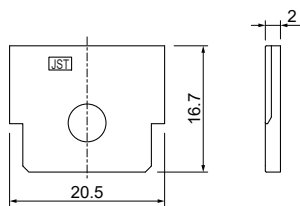
Housing: Glass-filled PBT, Black

Note: GITR-12H-3A-K: It is used in GIT 36 circuits Harness Left Direction.
 GITR-12H-3B-K: It is used in GIT 36 circuits Harness Right Direction.
 GITR-24H-1A-K: It is used in GIT 36 circuits Harness Left Direction.
 GITR-24H-1B-K: It is used in GIT 36 circuits Harness Right Direction.

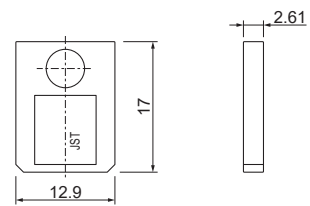
GITR-50H-1A-K: It is used in GIT 50 circuits Harness Left Direction.
 GITR-50H-2A-K: It is used in GIT 50 circuits Harness Right Direction.

Slide cover

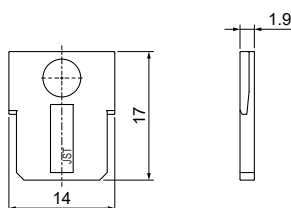
• GITSL-H-4A-K



• GITSL-H-2A-K



• GITSL-H-3A-K



Circuits	Model No.	Q'ty/box
36	GITSL-H-4A-K	400
50	GITSL-H-2A-K	500
	GITSL-H-3A-K	500

Material and Finish

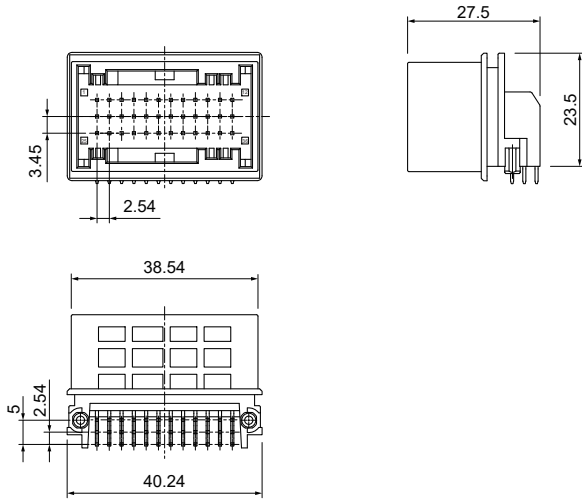
Housing: Glass-filled PBT, Black

Note: GITSL-H-4A-K for GIT 36 circuits is available for both directions.
 GITSL-H-2A-K is used in GIT 50 circuits Harness Left Direction.
 GITSL-H-3A-K is used in GIT 50 circuits Harness Right Direction.

Male connector

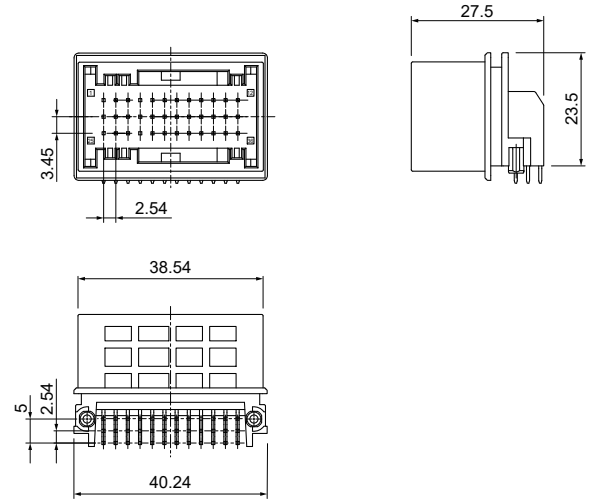
Harness Left Direction

- S36B-GIT()-2A-()L
- S24(36)B-GIT()-2A-()L

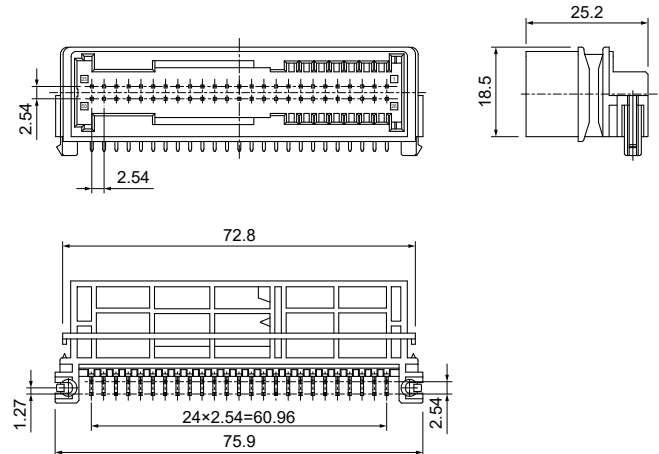


Harness Right Direction

- S36B-GIT()-2A-()R
- S24(36)B-GIT()-2A-()R



- S()(50)B-GIT03-2C-()



Circuits	Model No.	Q'ty/box
36	S36B-GIT()-2A-()()	180
	S24(36)B-GIT()-2A-()()	180
50	S()(50)B-GIT03-2C-()	192

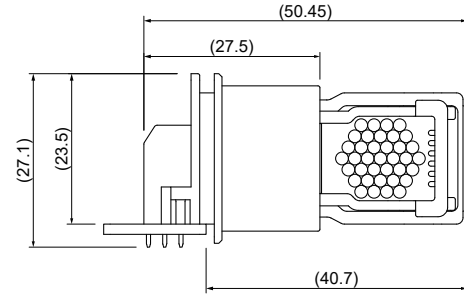
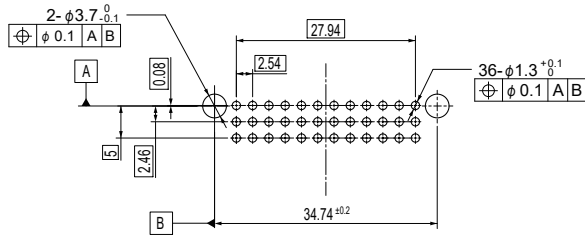
Material and Finish

Housing: Glass-filled PBT, Black

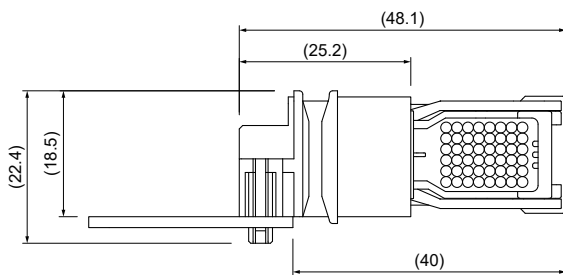
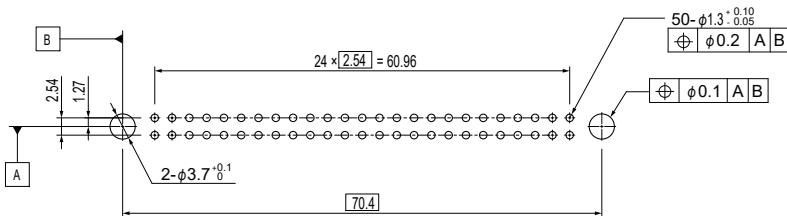
Terminal: Copper alloy, nickel-undercoated, tin-plated

PC board layout, Assembly layout

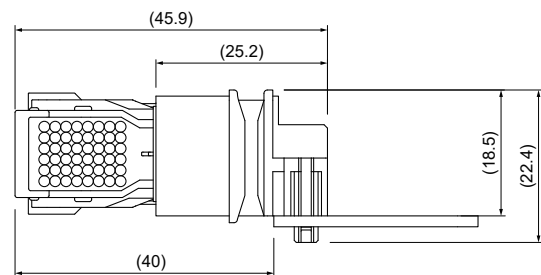
• 36 circuits



• 50 circuits



Harness Left Direction



Harness Right Direction

Crimping machine, Applicator

Strip terminal	Crimping machine	Crimp applicator MKS-L	
		Dies	Crimp applicator with dies
SGIT-B021T-MS0.64	AP-K2N	MK/SGIT-B021-064	APLMK SGIT-B021-064

Note: When crimping operation is conducted using an applicator and die set other than the above, JST cannot guarantee the performance of the terminal.