

969022-1 ✓ ACTIVE



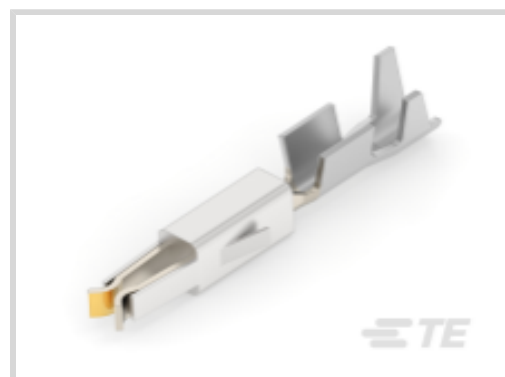
Micro Timer III

TE Internal #: 969022-1

Automotive Terminals, Receptacle, Mating Tab Width 1.6 mm [.063 in], Tab Thickness .024 in [.6 mm], 20 – 17 AWG Wire Size, Micro Timer III

[View on TE.com >](#)

Terminals & Splices > Automotive Terminals > TIMER, RECEPTACLE AND TAB



Terminal Type: **Receptacle**

Mating Tab Width: **1.6 mm [.063 in]**

Mating Tab Thickness: **.6 mm [.024 in]**

Terminal Transmits: **0 – 24 A (Low Power)**

Wire Size: **20 – 17 AWG**

[All TIMER, RECEPTACLE AND TAB \(346\)](#)

Features

Product Type Features

Receptacle Style	180°
Sealable	No
Primary Locking Feature	Locking Lance

Contact Features

Typical Current Rating	10 A
Crimp Type	F-Crimp
Terminal Type	Receptacle
Mating Tab Width	1.6 mm [.063 in]
Mating Tab Thickness	.6 mm [.024 in]
Interface Plating	Gold (Au)
Contact Termination Area Plating Material	Tin (Sn)

Termination Features

Termination Method to Wire & Cable	Crimp
Product Terminates To	Wire

Dimensions

Wire Size	.5 – 1 mm ²
-----------	------------------------



Wire Size Search	17 AWG, 18 AWG, 19 AWG, 20 AWG
------------------	--------------------------------

Wire Insulation Diameter	1.3 – 2.1 mm [.051 – .083 in]
--------------------------	-------------------------------

Usage Conditions

Insulation Option	Uninsulated
-------------------	-------------

Operating Temperature (Max)	80 °C, 85 °C, 90 °C, 100 °C, 105 °C, 110 °C, 120 °C, 125 °C, 130 °C, 140 °C [176 °F][185 °F][194 °F][212 °F][221 °F][230 °F][248 °F][257 °F][266 °F][284 °F]
-----------------------------	--

Operating Temperature Range	-40 – 140 °C [-40 – 284 °F]
-----------------------------	-----------------------------

Operation/Application

Compatible With Wire Base Material	Copper
------------------------------------	--------

Industry Standards

Agency/Standard	LV214
-----------------	-------

Packaging Features

Packaging Method	Reel
------------------	------

Packaging Quantity	6000
--------------------	------

Other

Terminal Transmits	0 – 24 A (Low Power)
--------------------	----------------------

Product Compliance

[For compliance documentation, visit the product page on TE.com>](#)

EU RoHS Directive 2011/65/EU	Compliant
------------------------------	-----------

EU ELV Directive 2000/53/EC	Compliant
-----------------------------	-----------

China RoHS 2 Directive MIIT Order No 32, 2016	No Restricted Materials Above Threshold
---	---

EU REACH Regulation (EC) No. 1907/2006	Current ECHA Candidate List: JAN 2022 (223) Candidate List Declared Against: JAN 2022 (223) Does not contain REACH SVHC
--	---

Halogen Content	Low Halogen - Br, Cl, F, I < 900 ppm per homogenous material. Also BFR/CFR/PVC Free
-----------------	---

Solder Process Capability	Not applicable for solder process capability
---------------------------	--

Product Compliance Disclaimer

This information is provided based on reasonable inquiry of our suppliers and represents our current actual knowledge based on the information they provided. This information is subject to change. The part numbers that TE has identified as EU RoHS compliant have a maximum concentration of 0.1% by weight in homogenous materials for lead, hexavalent chromium, mercury, PBB, PBDE, DBP, BBP, DEHP, DIBP, and 0.01% for cadmium, or qualify for an exemption to these limits as defined in the Annexes of Directive 2011/65/EU (RoHS2). Finished electrical and electronic equipment products will be CE marked as required by Directive 2011/65/EU. Components may not be CE marked. Additionally, the part numbers that TE has identified as EU ELV compliant have a maximum concentration of 0.1% by weight in homogenous materials for lead, hexavalent chromium, and mercury, and 0.01% for cadmium, or qualify for an exemption to these limits as defined in the Annexes of Directive 2000/53/EC (ELV). Regarding the REACH Regulation, the information TE provides on SVHC in articles for this part number is based on the latest European Chemicals Agency (ECHA) 'Guidance on requirements for substances in articles' posted at this URL: <https://echa.europa.eu/guidance-documents/guidance-on-reach>

Compatible Parts




TE Part # 539960-1
AUSZ-WKZ,MICRO TIM.



TE Part # 2305570-1
TERMINAL CUTTER, SIDE FEED



TE Part # 2-1579018-7
EXTRACTION TOOL



TE Part # 2-2151415-1
OCEAN_2.0_APPLICATOR-S-080F1000




TE Part # 2-2151415-2
OCEAN_2.0_APPLICATOR-S-080F1000



TE Part # 2151415-1
OCEAN_2.0_APPLICATOR-S-080F1000



TE Part # 2151415-2
OCEAN_2.0_APPLICATOR-S-080F1000



TE Part # 2837512-1
APPLICATOR TO MAKE LOOSE PIECE TERMINALS



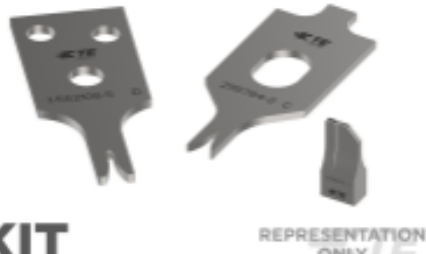
TE Part # 2837512-2
APPLICATOR TO MAKE LOOSE PIECE TERMINALS



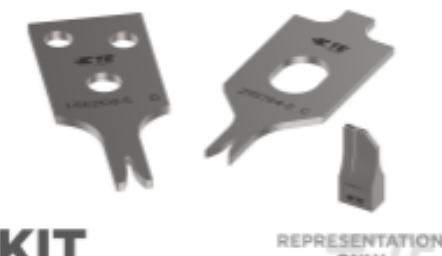
TE Part # 7-2151415-1
OCEAN_2.0_APPLICATOR-S-080F1000



TE Part # 7-2151415-2
OCEAN_2.0_APPLICATOR-S-080F1000



TE Part # 7-2151415-7
OCEAN_2.0_SPARE_PART_KIT-080F1000



TE Part # 7-2837512-7
TOOLING KIT MAKE LOOSE PIECE TERMINAL

Also in the Series | Micro Timer III



Automotive Housings(5)

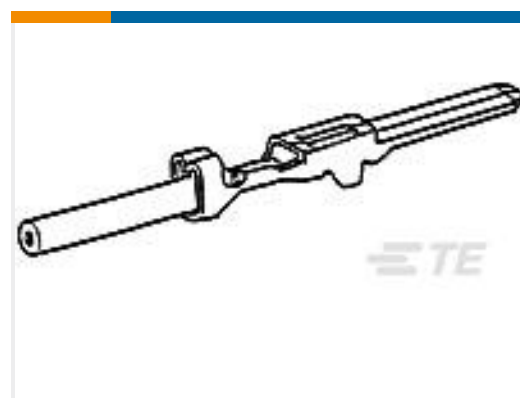


Automotive Terminals(10)



Insertion & Extraction Tools(3)

Customers Also Bought

TE Part #1-1241418-3
AMP MCP, RECEPTACLE AND TABTE Part #965914-1
TIMER, RECEPTACLE AND TABTE Part #968680-2
MOS, RECEPTACLE AND TABTE Part #444314-1
HSG ASSY 9 POSN COMBTE Part #282376-1
070 SERIES REPT. CONTACTTE Part #284080-1
.070 TAB CONT.NEW.GEN. (0,3 TOTE Part #284366-3
40 POS. MALE CONN. ASSY -YELLOW

Documents

Product Drawings

[MT3 REC 1.6 Contact SRC Au](#)

English

CAD Files

Customer View Model

[ENG_CVM_969022-1_A2.3d_igs.zip](#)

English

Customer View Model

[ENG_CVM_969022-1_A2.3d_stp.zip](#)

English

Customer View Model

[ENG_CVM_969022-1_A2.2d_dxf.zip](#)

English

[3D PDF](#)



English

[3D PDF](#)

3D

Customer View Model

[ENG_CVM_CVM_969022-1_B.2d_dxf.zip](#)

English

Customer View Model

[ENG_CVM_CVM_969022-1_B.3d_igs.zip](#)

English

Customer View Model

[ENG_CVM_CVM_969022-1_B.3d_stp.zip](#)

English

By downloading the CAD file I accept and agree to the [Terms and Conditions](#) of use.

Datasheets & Catalog Pages

[Timer Interconnection System](#)

English

Product Specifications

[Application Specification](#)

German

[Application Specification](#)

English

[Application Specification](#)

English

[Application Specification](#)

English

Product Environmental Compliance

[Product Compliance](#)

English

[Product Compliance](#)

English