

936240-1 ✓ ACTIVE

## Multilock Connector System

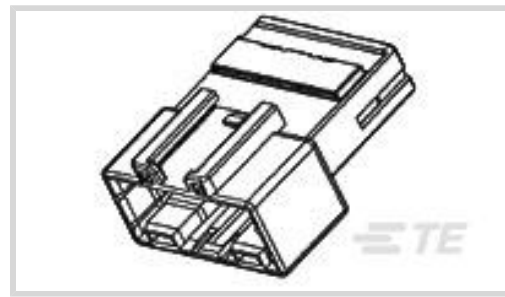
TE Internal #: 936240-1

Housing for Female Terminals, Wire-to-Wire, 6 Position, .157 in [4 mm] Centerline, Natural, Signal, Multilock Connector System

[View on TE.com >](#)



Connectors > Automotive Connectors > Connector Housings > MULTILOCK, CONNECTOR HOUSING



Connector & Housing Type: **Housing for Female Terminals**

Mating Tab Width: **2.3 mm [ .09 in ]**

Connector System: **Wire-to-Wire**

Number of Positions: **6**

Centerline (Pitch): **4 mm [ .157 in ]**

[All MULTILOCK, CONNECTOR HOUSING \(576\)](#)

## Features

### Product Type Features

Connector & Housing Shape	Rectangular
Connector & Housing Type	Housing for Female Terminals
Connector System	Wire-to-Wire
Sealable	No
Hybrid Connector	No

### Configuration Features

Number of Positions	6
Number of Rows	1

### Body Features

Body Material	PBT
Primary Product Color	Natural

### Contact Features

Contact Size	2.3mm
Contact Type	Receptacle
Mating Tab Width	2.3 mm[.09 in]

### Mechanical Attachment

Terminal Position Assurance	No
-----------------------------	----



Strain Relief	Without
Mating Alignment Type	Polarized
Mating Alignment	With
Connector Mounting Type	Cable Mount (Free-Hanging)

### Housing Features

Centerline (Pitch)	4 mm [.157 in]
--------------------	----------------

### Dimensions

Product Width	16.3 mm [.642 in]
Product Length	29.8 mm [1.173 in]
Product Height	34 mm [1.339 in]

### Operation/Application

Circuit Application	Signal
---------------------	--------

### Packaging Features

Packaging Quantity	260
Packaging Method	Bag

### Other

Serviceable	No
Connector Position Assurance Capable	No

## Product Compliance

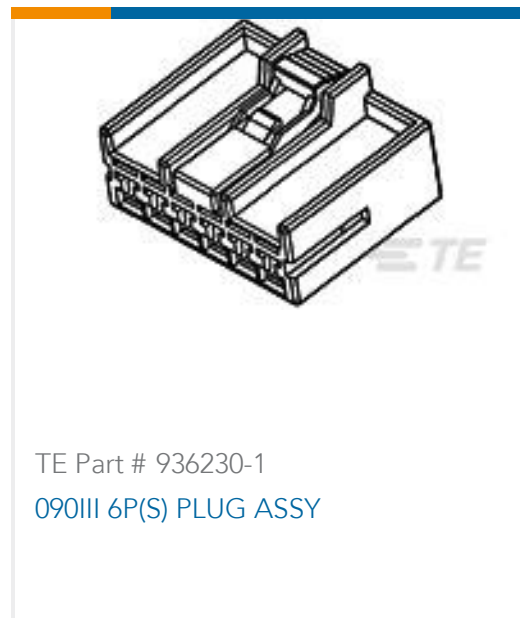
[For compliance documentation, visit the product page on TE.com>](#)

EU RoHS Directive 2011/65/EU	Compliant
EU ELV Directive 2000/53/EC	Compliant
China RoHS 2 Directive MIIT Order No 32, 2016	No Restricted Materials Above Threshold
EU REACH Regulation (EC) No. 1907/2006	Current ECHA Candidate List: JAN 2022 (223) Candidate List Declared Against: JAN 2022 (223) Does not contain REACH SVHC
Halogen Content	Low Halogen - Br, Cl, F, I < 900 ppm per homogenous material. Also BFR/CFR/PVC Free
Solder Process Capability	Not applicable for solder process capability

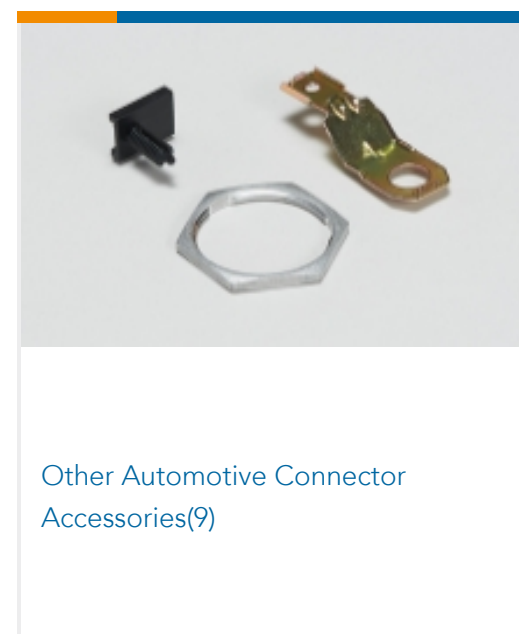
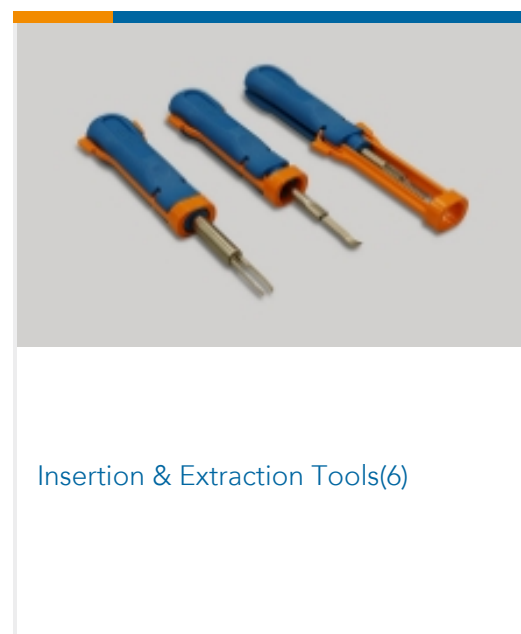
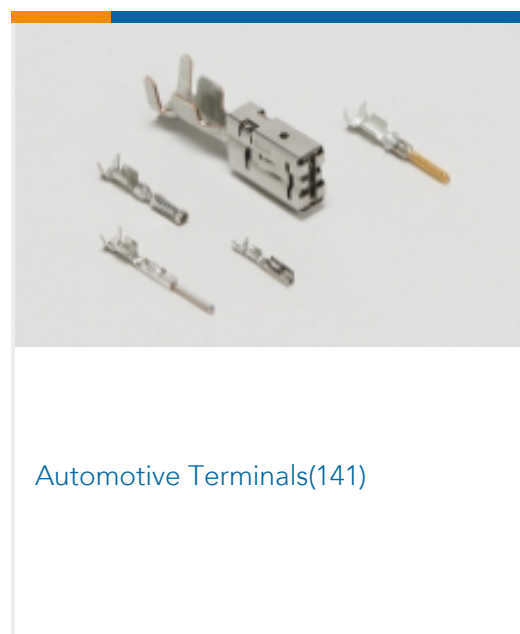
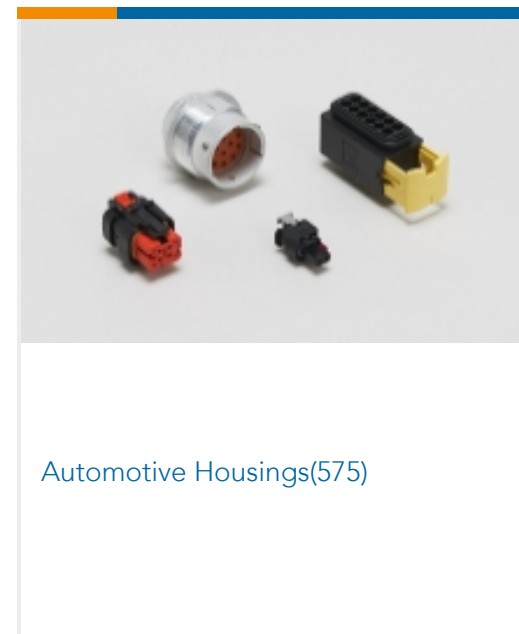
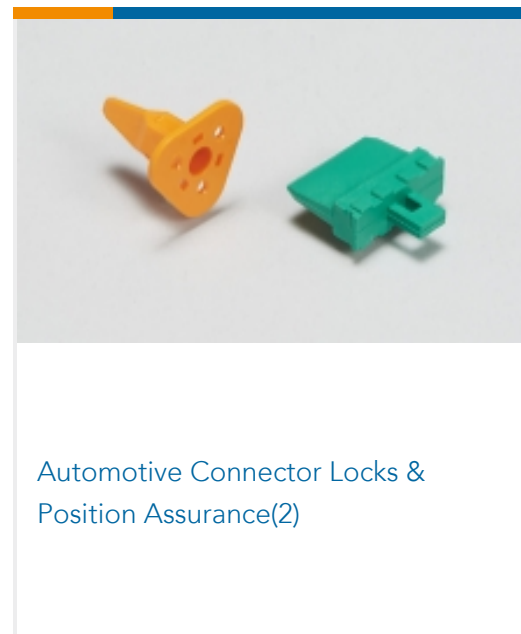
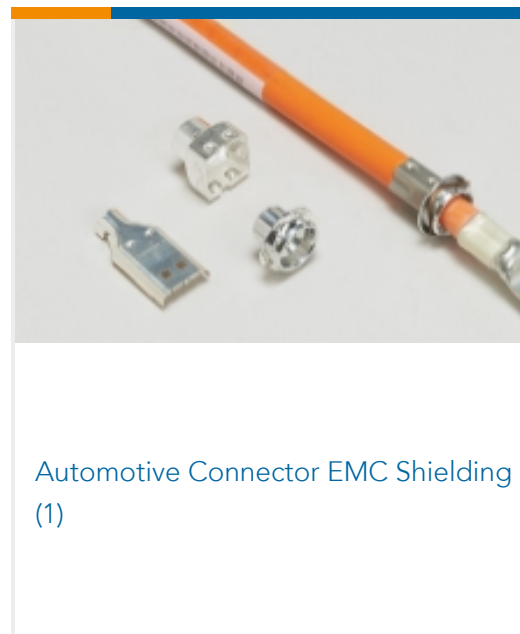
Product Compliance Disclaimer

This information is provided based on reasonable inquiry of our suppliers and represents our current actual knowledge based on the information they provided. This information is subject to change. The part numbers that TE has identified as EU RoHS compliant have a maximum concentration of 0.1% by weight in homogenous materials for lead, hexavalent chromium, mercury, PBB, PBDE, DBP, BBP, DEHP, DIBP, and 0.01% for cadmium, or qualify for an exemption to these limits as defined in the Annexes of Directive 2011/65/EU (RoHS2). Finished electrical and electronic equipment products will be CE marked as required by Directive 2011/65/EU. Components may not be CE marked. Additionally, the part numbers that TE has identified as EU ELV compliant have a maximum concentration of 0.1% by weight in homogenous materials for lead, hexavalent chromium, and mercury, and 0.01% for cadmium, or qualify for an exemption to these limits as defined in the Annexes of Directive 2000/53/EC (ELV). Regarding the REACH Regulation, the information TE provides on SVHC in articles for this part number is based on the latest European Chemicals Agency (ECHA) 'Guidance on requirements for substances in articles' posted at this URL: <https://echa.europa.eu/guidance-documents/guidance-on-reach>

## Compatible Parts



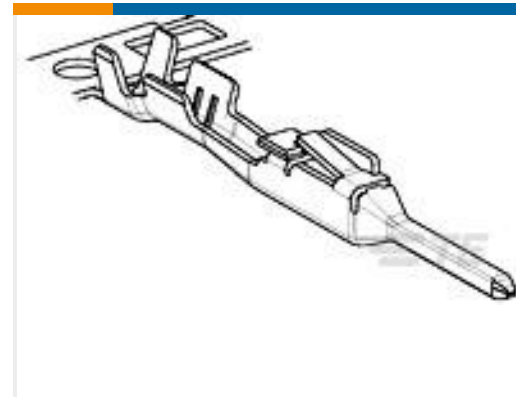
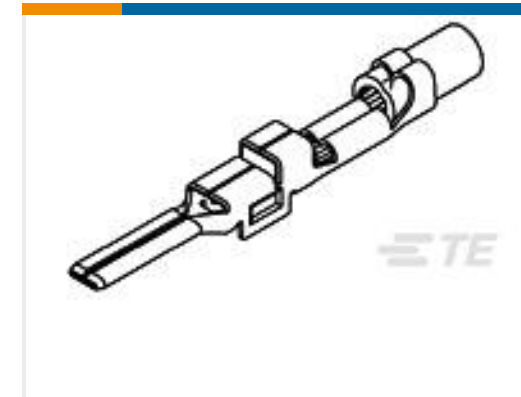
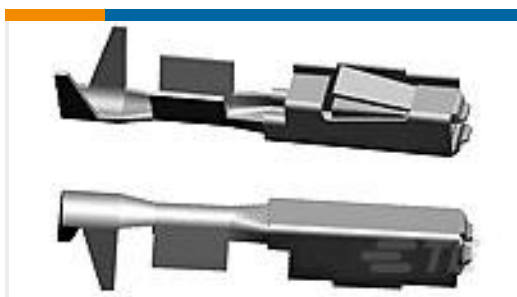
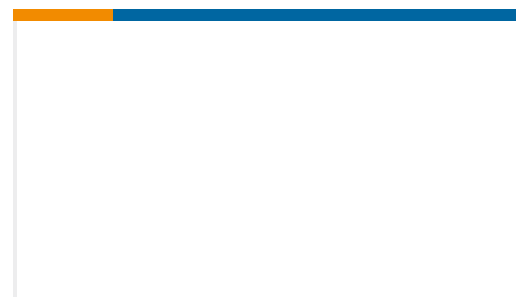
## Also in the Series | Multilock Connector System





PCB Headers &amp; Receptacles(129)

## Customers Also Bought

TE Part #2-964300-1  
TIMER, RECEPTACLE AND TABTE Part #1241404-1  
AMP MCP, RECEPTACLE AND TABTE Part #1674742-1  
025 TH TAB CONTACTTE Part #368088-1  
090II NON SLD TAB(SQ 0.3-0.5)TE Part #5-928999-1  
MQSO,63 Sn rec LL unseal. >0,2-0,35TE Part #368260-1  
CLIP HSG FOR 090 II MLCTE Part #2364849-1  
HOUSING WITH FUSE PULLER - C13  
IEC KIT

## Documents

### Product Drawings

090III 6P(S) CAP ASSY

English

### CAD Files

Customer View Model

[ENG\\_CVM\\_936240-1\\_A.3d\\_igs.zip](#)

English

Customer View Model

[ENG\\_CVM\\_936240-1\\_A.3d\\_stp.zip](#)

English

Customer View Model

[ENG\\_CVM\\_936240-1\\_A.2d\\_dxf.zip](#)

English

### 3D PDF

English

By downloading the CAD file I accept and agree to the [Terms and Conditions](#) of use.



---

**Datasheets & Catalog Pages**

**MULTILOCK Connector System**

English

---

**Product Specifications**

**Product Specification**

English

---

**Product Environmental Compliance**

**Product Compliance**

English

**Product Compliance**

English