

925590-1 ✓ ACTIVE

AMP | Timer Connector System

TE Internal #: 925590-1

Automotive Terminals, Receptacle, Mating Tab Width 2.8 mm [.11 in], Tab Thickness .031 in [.8 mm], 20 – 15 AWG Wire Size, Timer Connector System

[View on TE.com >](#)



Terminals & Splices > Automotive Terminals > TIMER, RECEPTACLE AND TAB



Terminal Type: **Receptacle**

Mating Tab Width: **2.8 mm [.11 in]**

Mating Tab Thickness: **.8 mm [.031 in]**

Terminal Transmits: **0 – 24 A (Low Power)**

Wire Size: **20 – 15 AWG**

[All TIMER, RECEPTACLE AND TAB \(346\)](#)

Features

Product Type Features

Receptacle Style	180°
Sealable	No
Primary Locking Feature	Locking Lance

Contact Features

Typical Current Rating	10 A
Crimp Type	F-Crimp
Terminal Type	Receptacle
Mating Tab Width	2.8 mm [.11 in]
Mating Tab Thickness	.8 mm [.031 in]
Interface Plating	Tin (Sn)

Termination Features

Termination Method to Wire & Cable	Crimp
Product Terminates To	Wire

Dimensions

Wire Size	.5 – 1.5 mm ²
Wire Size Search	15 AWG, 16 AWG, 17 AWG, 18 AWG, 19



AWG, 20 AWG

Wire Insulation Diameter	2 – 3 mm [.079 – .118 in]
--------------------------	---------------------------

Usage Conditions

Insulation Option	Uninsulated
Operating Temperature (Max)	80 °C, 85 °C, 90 °C, 100 °C, 105 °C, 110 °C [176 °F][185 °F][194 °F][212 °F][221 °F][230 °F]

Operating Temperature Range	-40 – 110 °C [-40 – 230 °F]
-----------------------------	-----------------------------

Operation/Application

Compatible With Wire Base Material	Copper
------------------------------------	--------

Industry Standards

Agency/Standard	IEC 664/664A (DIN VDE 0110)
-----------------	-----------------------------

Packaging Features

Packaging Method	Reel
------------------	------

Packaging Quantity	4000
--------------------	------

Other

Terminal Transmits	0 – 24 A (Low Power)
--------------------	----------------------

Product Compliance

[For compliance documentation, visit the product page on TE.com>](#)

EU RoHS Directive 2011/65/EU	Compliant
------------------------------	-----------

EU ELV Directive 2000/53/EC	Compliant
-----------------------------	-----------

China RoHS 2 Directive MIIT Order No 32, 2016	No Restricted Materials Above Threshold
---	---

EU REACH Regulation (EC) No. 1907/2006	Current ECHA Candidate List: JAN 2022 (223) Candidate List Declared Against: JUL 2021 (219) SVHC > Threshold: Not Yet Reviewed
--	---

Halogen Content	Low Halogen - Br, Cl, F, I < 900 ppm per homogenous material. Also BFR/CFR/PVC Free
-----------------	---

Solder Process Capability	Not applicable for solder process capability
---------------------------	--

Product Compliance Disclaimer

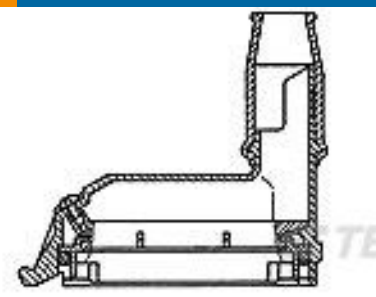
This information is provided based on reasonable inquiry of our suppliers and represents our current actual knowledge based on the information they provided. This information is subject to change. The part numbers that TE has identified as

EU RoHS compliant have a maximum concentration of 0.1% by weight in homogenous materials for lead, hexavalent chromium, mercury, PBB, PBDE, DBP, BBP, DEHP, DIBP, and 0.01% for cadmium, or qualify for an exemption to these limits as defined in the Annexes of Directive 2011/65/EU (RoHS2). Finished electrical and electronic equipment products will be CE marked as required by Directive 2011/65/EU. Components may not be CE marked. Additionally, the part numbers that TE has identified as EU ELV compliant have a maximum concentration of 0.1% by weight in homogenous materials for lead, hexavalent chromium, and mercury, and 0.01% for cadmium, or qualify for an exemption to these limits as defined in the Annexes of Directive 2000/53/EC (ELV). Regarding the REACH Regulation, the information TE provides on SVHC in articles for this part number is based on the latest European Chemicals Agency (ECHA) 'Guidance on requirements for substances in articles' posted at this URL: <https://echa.europa.eu/guidance-documents/guidance-on-reach>

Compatible Parts



TE Part # 2305570-1
TERMINAL CUTTER, SIDE FEED



TE Part # 963325-1
25P J-T GRIFFSCHALE



TE Part # 2-2151270-1
OCEAN-2.0-APPLICATOR-S-090F130F



TE Part # 2-2151270-2
OCEAN-2.0-APPLICATOR-S-090F130F



TE Part # 2151270-1
OCEAN-2.0-APPLICATOR-S-090F130F



TE Part # 2151270-2
OCEAN-2.0-APPLICATOR-S-090F130F



TE Part # 7-2151270-1
OCEAN-2.0-APPLICATOR-S-090F130F

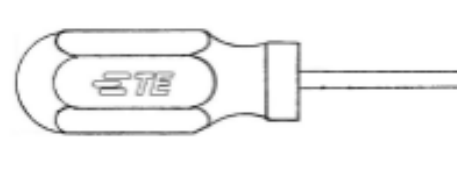


TE Part # 7-2151270-2
OCEAN-2.0-APPLICATOR-S-090F130F



KIT
REPRESENTATION ONLY

TE Part # 7-2151270-7
OCEAN_2.0_SPARE_PART_KIT-090F130F



TE Part # 720788-8
EXTRCTION TOOL FOR MINI SPRING



TE Part # 539687-2
ERGOCRIMP DIE SET TIMER


Also in the Series | Timer Connector System



Automotive Connector Caps & Covers (11)



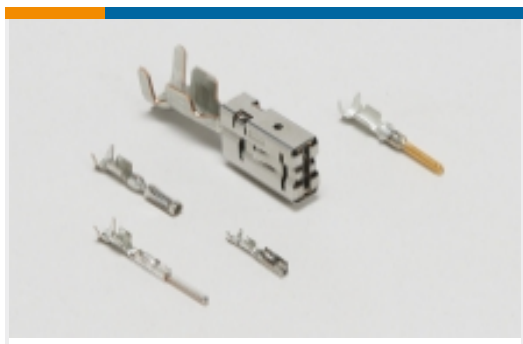
Automotive Connector Locks & Position Assurance(16)



Automotive Housings(219)



Automotive Seals & Cavity Plugs(31)



Automotive Terminals(140)



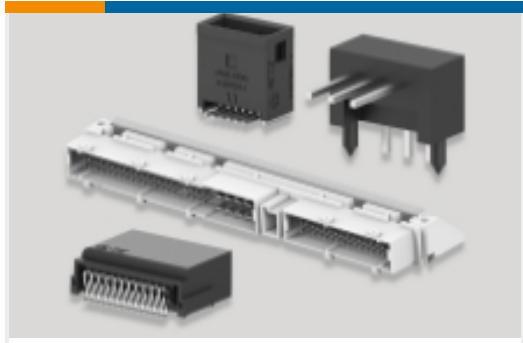
Crimp Terminal Housings(13)



Insertion & Extraction Tools(20)



Other Automotive Connector Accessories(1)

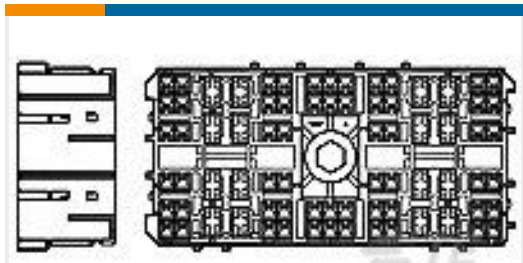


PCB Headers & Receptacles(78)



Quick Disconnects(4)

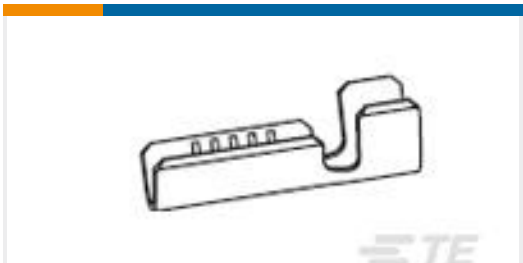
Customers Also Bought



TE Part #1-936321-2
090/SPT HYB 32P PLUG ASSY BLK



TE Part #926755-1
JUNIOR TIMER CONTACT



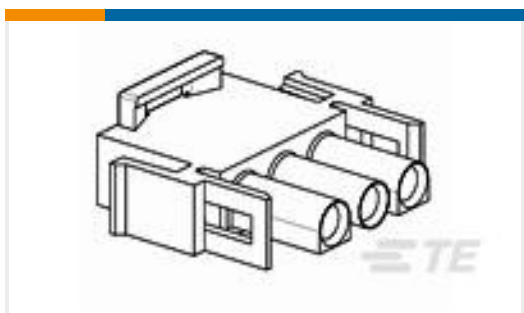
TE Part #160644-3
SPLICE 20-15 AWG .016 TPBR



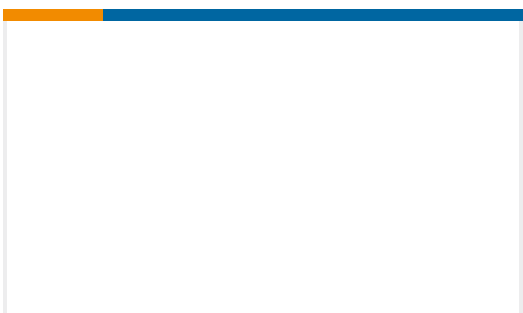
CRIMPER REPRESENTATION ONLY
TE Part #2-1803224-4
CRIMPER,WIRE F



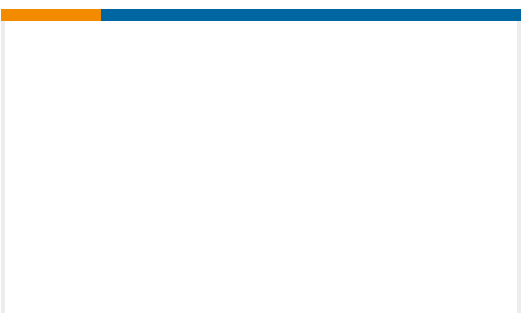
TE Part #7-2151071-7
OCEAN_2.0_SPARE_PART_KIT-062F074F



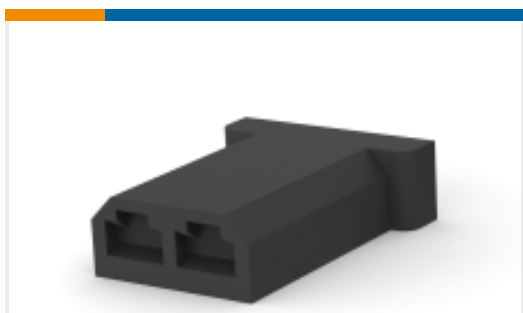
TE Part #969326-1
UMNL BU-GEH 3P



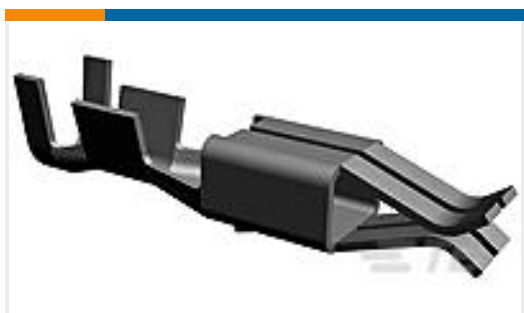
TE Part #1-936686-1
UNDER COVER FOR BLM



TE Part #5-1897638-5
C.E BOX ASSY-BLM F/L-1FAN,4PW, STD



TE Part #925014-1
FF 110 HOUSING RECEPTACLE PA 6.6 BLACK



TE Part #925597-1
MIN-SPRING REC.

Documents



Product Drawings

JPT REC 2.8 Contact SRC Sn

English

CAD Files

3D PDF

3D

Customer View Model

[ENG_CVM_CVM_925590-1_Y_c-925590-1-y.2d_dxf.zip](#)

English

Customer View Model

[ENG_CVM_CVM_925590-1_Y_c-925590-1-y.3d_igs.zip](#)

English

Customer View Model

[ENG_CVM_CVM_925590-1_Y_c-925590-1-y.3d_stp.zip](#)

English

By downloading the CAD file I accept and agree to the [Terms and Conditions](#) of use.

Datasheets & Catalog Pages

Timer Interconnection System

English

Product Specifications

Application Specification

German

Application Specification

English

Application Specification

Japanese

CRIMPING L-JETRONIC* MINI-SPRING CONTACT

English

CRIMPING L-JETRONIC* MINI-SPRING CONTACT

Japanese

Product Environmental Compliance

MD_925590-1_06062015411_dmtec

English

MD_925590-1_06062015411_dmtec

English