



AMP | Timer Connector System

TE Internal #: 828906-2

Automotive Seals & Cavity Plugs, Cavity Blanking Plug, Cavity Diameter .197 in [5 mm], Silicone, Poor, 50, Contains Lubricant, Timer Connector System

[View on TE.com >](#)

Connectors > Automotive Connectors > Seals & Cavity Plugs



Connector Seal Type: **Cavity Blanking Plug**

Cavity Diameter: **5 mm [.197 in]**

Seal Material: **Silicone**

Resistance to Hydrocarbons: **Poor**

Shore A Hardness: **50**

Features

Product Type Features

Connector Seal Type	Cavity Blanking Plug
---------------------	----------------------

Body Features

Seal Material	Silicone
Primary Product Color	Brown

Dimensions

Cavity Diameter	5 mm [.197 in]
-----------------	----------------

Usage Conditions

Operating Temperature (Max)	65 °C, 70 °C, 75 °C, 80 °C, 85 °C, 90 °C, 100 °C, 105 °C, 110 °C, 120 °C, 125 °C, 130 °C [149 °F][158 °F][167 °F][176 °F][185 °F][194 °F][212 °F][221 °F][230 °F][248 °F][257 °F][266 °F]
Operating Temperature Range	-40 – 130 °C[-40 – 266 °F]

Industry Standards

UL Flammability Rating	None
------------------------	------

Other

Resistance to Hydrocarbons	Poor
Shore A Hardness	50
Contains Lubricant	Yes

Product Compliance

[For compliance documentation, visit the product page on TE.com>](#)

EU RoHS Directive 2011/65/EU	Compliant
EU ELV Directive 2000/53/EC	Compliant
China RoHS 2 Directive MIIT Order No 32, 2016	No Restricted Materials Above Threshold
EU REACH Regulation (EC) No. 1907/2006	Current ECHA Candidate List: JAN 2022 (223) Candidate List Declared Against: JAN 2022 (223) Does not contain REACH SVHC
Halogen Content	BFR/CFR/PVC Free, but Br/Cl >900 ppm in other sources.
Solder Process Capability	Not applicable for solder process capability

Product Compliance Disclaimer

This information is provided based on reasonable inquiry of our suppliers and represents our current actual knowledge based on the information they provided. This information is subject to change. The part numbers that TE has identified as EU RoHS compliant have a maximum concentration of 0.1% by weight in homogenous materials for lead, hexavalent chromium, mercury, PBB, PBDE, DBP, BBP, DEHP, DIBP, and 0.01% for cadmium, or qualify for an exemption to these limits as defined in the Annexes of Directive 2011/65/EU (RoHS2). Finished electrical and electronic equipment products will be CE marked as required by Directive 2011/65/EU. Components may not be CE marked. Additionally, the part numbers that TE has identified as EU ELV compliant have a maximum concentration of 0.1% by weight in homogenous materials for lead, hexavalent chromium, and mercury, and 0.01% for cadmium, or qualify for an exemption to these limits as defined in the Annexes of Directive 2000/53/EC (ELV). Regarding the REACH Regulation, the information TE provides on SVHC in articles for this part number is based on the latest European Chemicals Agency (ECHA) 'Guidance on requirements for substances in articles' posted at this URL: <https://echa.europa.eu/guidance-documents/guidance-on-reach>

Compatible Parts


 <p>TE Part # CAT-T4827-CH8172 TIMER, CONNECTOR HOUSING</p>	 <p>TE Part # CAT-AM705-CH8172 AMP MCP, SEALED CONNECTOR HOUSING</p>	 <p>TE Part # 2137216-1 3P SPLASH PROOF CONNECTOR ASS'</p>	 <p>TE Part # 1-284844-0 12 POS MCP HYBRID MALE CONNECTOR</p>
--	--	---	--



TE Part # 2137216-2
3P SPLASH PROOF CONNECTOR ASS'



TE Part # 282956-7
SPLASH-PROOF FEM CONN ASSY



TE Part # 282189-8
SPLASH PROOF CONN. W.S.L.



TE Part # 282956-3
SPLASH-PROOF FEM.CONN.ASS



TE Part # 282648-1
SPLASH PROOF CONN. W.S.L.2 WAY



TE Part # 282246-1
SPLASH PROOF FEMALE CONN:3 VIE



TE Part # 282729-2
SPLASH PROOF CONN. ASS'Y



TE Part # 282762-7
JPT SPLASH-PROOF FEM.CONN2 POS



TE Part # 282768-1
JPT SPLASH-PROOF FEM.CONN7 POS



TE Part # 1-282236-2
6 POS. SPLASH PROOF CONNECTOR ASS'Y



TE Part # 282190-5
SPLASH PROOF CONN. W.S.L.



TE Part # 282762-3
JPT SPLASH-PROOF FEM.CONN2 POS



TE Part # 282788-3
SPLASH-PROOF CONN.W.S.L. 2P TY



TE Part # 282956-2
SPLASH-PROOF FEM CONN ASSY




TE Part # 282956-6
SPLASH-PROOF FEM CONN ASSY

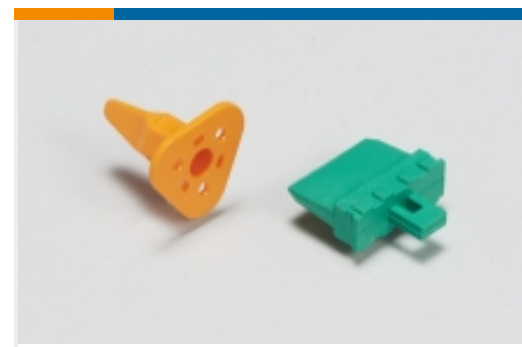


TE Part # 953310-3
5W JPT/SWS CET CON

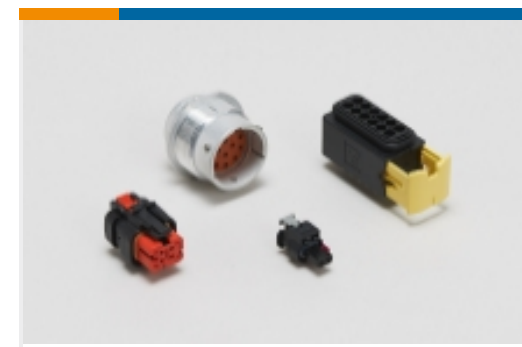
Also in the Series | **Timer Connector System**




Automotive Connector Caps & Covers (11)



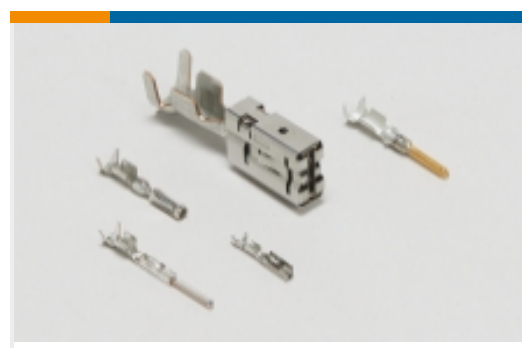
Automotive Connector Locks & Position Assurance(16)



Automotive Housings(219)



Automotive Seals & Cavity Plugs(31)



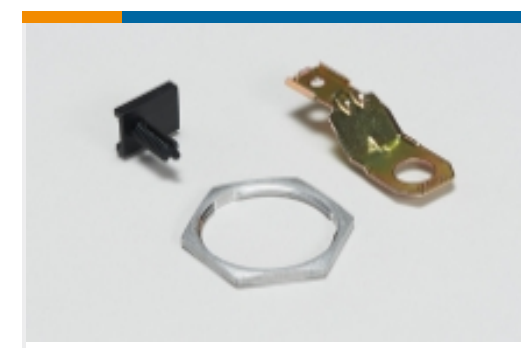
Automotive Terminals(140)



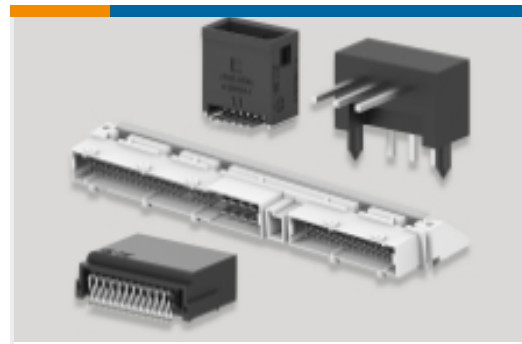
Crimp Terminal Housings(13)



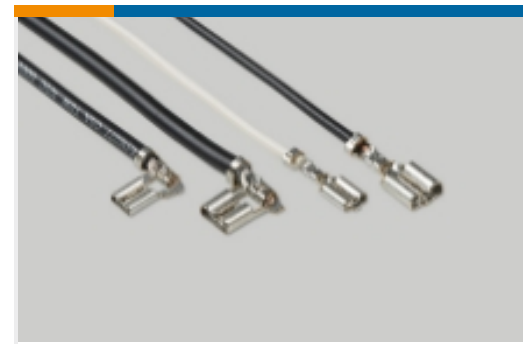
Insertion & Extraction Tools(20)



Other Automotive Connector Accessories(1)

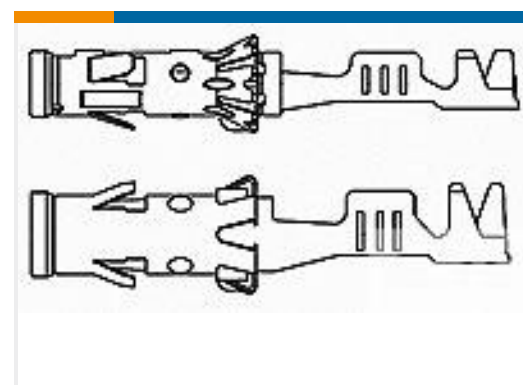
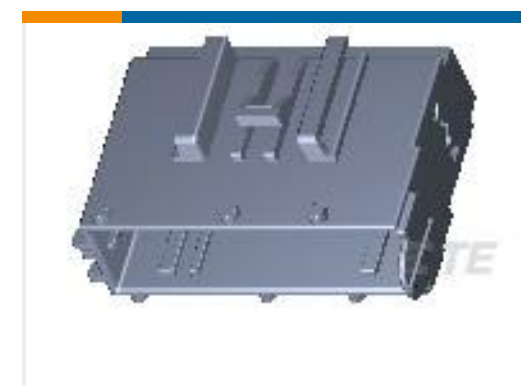
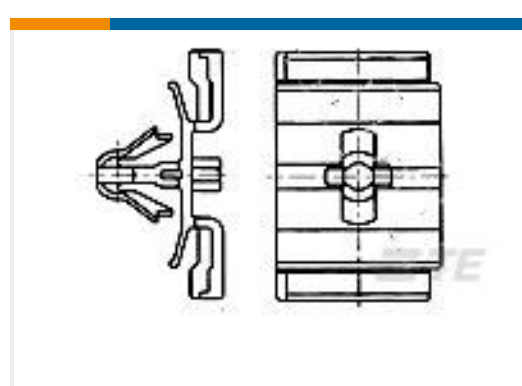


PCB Headers & Receptacles(78)



Quick Disconnects(4)

Customers Also Bought

TE Part #HDP26-24-19PE-L015
DEUTSCH HDP20 HOUSINGSTE Part #929986-1
1,5MM SOCK CONTACTTE Part #1-1718888-1
2POS, MCON 1.2 LL REC SEALEDTE Part #284879-3
20 POS MALE HOUSING ASSYTE Part #282322-1
HOOK FOR SEALED SEC.CONN.TE Part #1-1534170-1
MQS ABDECKKAPPE2X5PTE Part #2236048-1
KIT SEC.LOCK FOR 32 WAYS CONN.TE Part #347681-1
0.35MM CABLE SEAL LC SILIC

Documents

Product Drawings

BLINDSTOPFEN 1,5SYS

German

CAD Files

3D PDF

3D

Customer View Model

[ENG_CVM_CVM_828906-2_E.2d_dxf.zip](#)



English

Customer View Model

[ENG_CVM_CVM_828906-2_E.3d_igs.zip](#)

English

Customer View Model

[ENG_CVM_CVM_828906-2_E.3d_stp.zip](#)

English

By downloading the CAD file I accept and agree to the [Terms and Conditions](#) of use.

Product Specifications

[10 & 29 pos. door to body](#)

English

Product Specification

English

Product Specification

English

[55 POS. J.P.T. WATER PROOF CONNECTOR](#)

English

Product Environmental Compliance

Product Compliance

English

Product Compliance

English