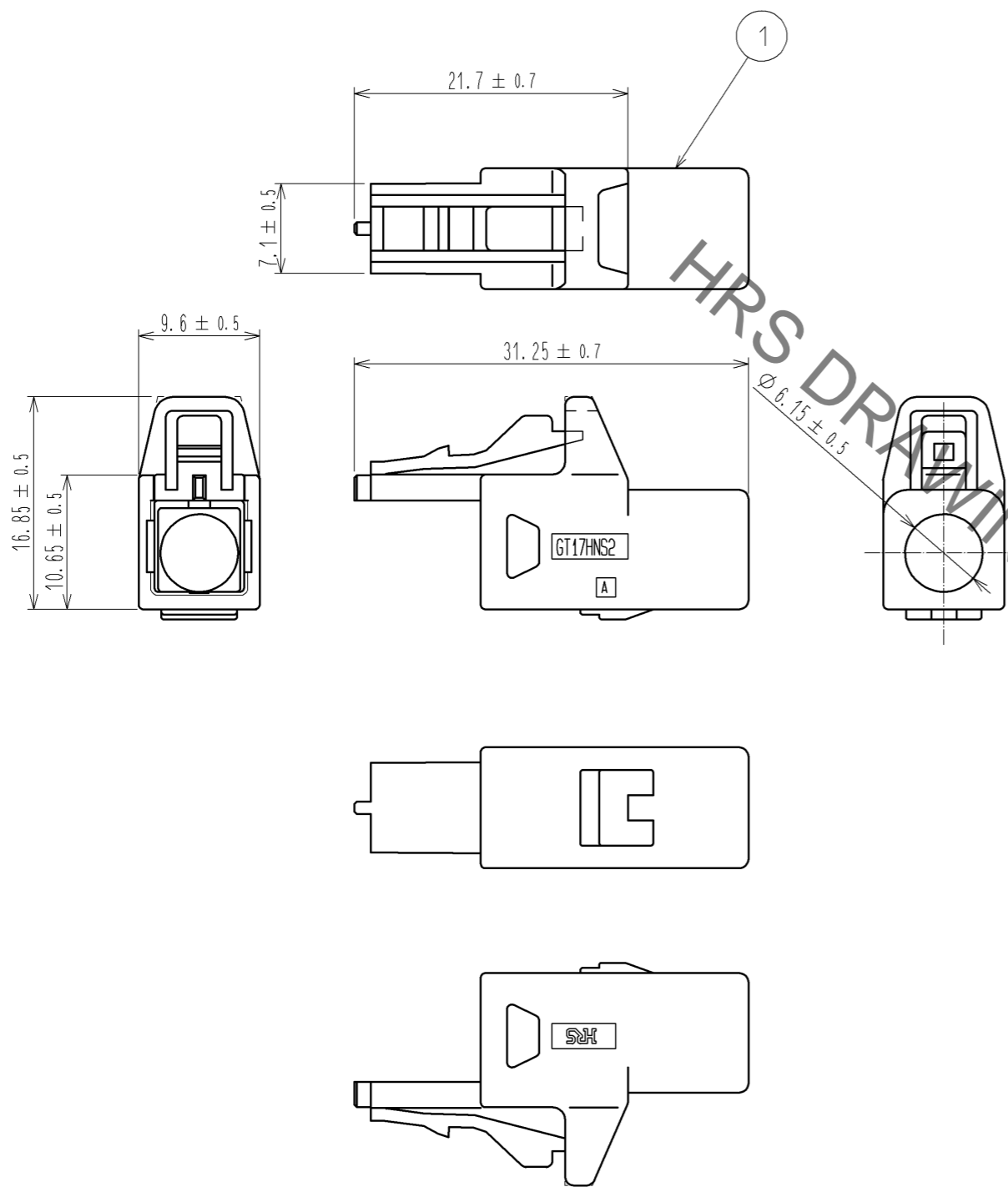
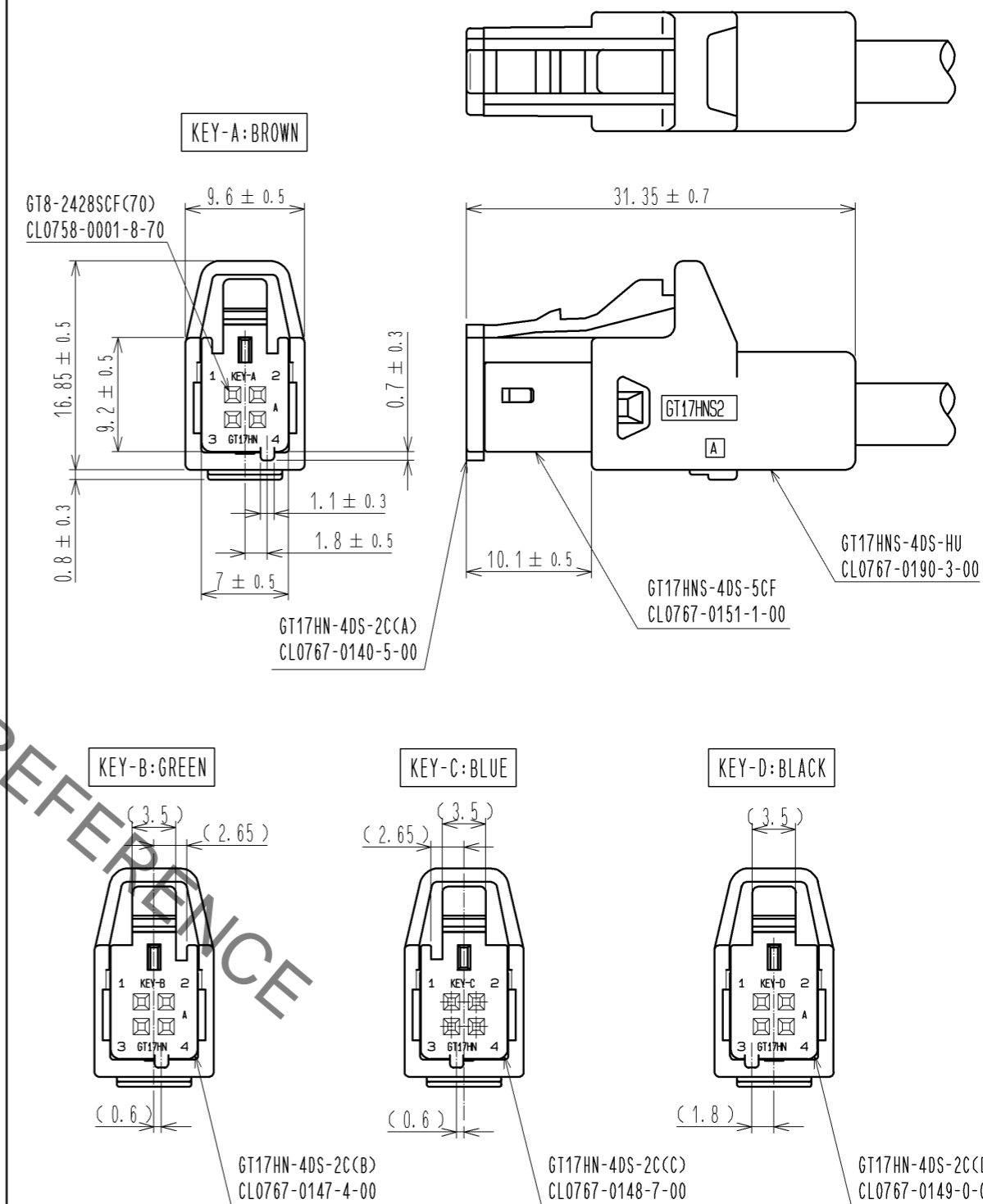


Oct.1.2019 Copyright 2019 HIROSE ELECTRIC CO., LTD. All Rights Reserved.
 In case of consideration for using Automotive equipment / device which demand high reliability, kindly contact our sales window correspondents.

ELV. RoHS COMPLIANT



△ Harness assembled condition



1	PBT	DARK GRAY						
NO.	MATERIAL	FINISH	REMARKS	NO.	MATERIAL	FINISH	REMARKS	
UNITS		SCALE	COUNT	DESCRIPTION OF REVISIONS		DESIGNED	CHECKED	DATE
mm		2 : 1	1	DIS-T-004197		MH. SHOUJI	TS. KUBOTA	14. 12. 16
APPROVED : NH. NAKATA				14. 10. 20	DRAWING NO. EDC3-167165-00			
CHECKED : TS. KUBOTA				14. 10. 20	PART NO. GT17HNS2-4DS-HU			
DESIGNED : KK. FURUKAWA				14. 10. 17	CODE NO. CL767-0190-3-00			
DRAWN : KK. FURUKAWA				14. 10. 17	1/1			