



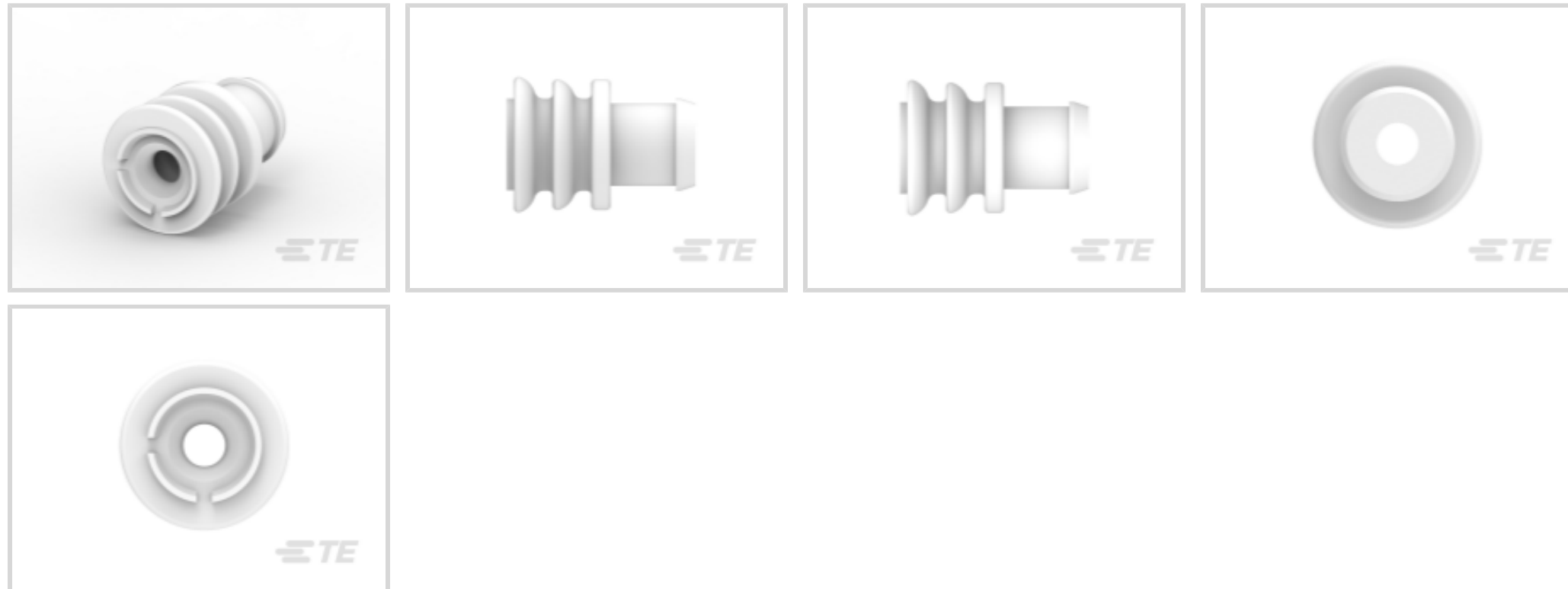
AMP | Timer Connector System

TE Internal #: 828905-1

Automotive Seals & Cavity Plugs, Single Wire Seal (SWS), Cavity Diameter .205 in [5.2 mm], Silicone, Poor, 50, Timer Connector System

[View on TE.com >](#)

Connectors > Automotive Connectors > Seals & Cavity Plugs



Connector Seal Type: **Single Wire Seal (SWS)**

Cavity Diameter: **5.2 mm [.205 in]**

Accepts Cable Insulation Diameter Range: **3 mm [.118 in]**

Seal Material: **Silicone**

Resistance to Hydrocarbons: **Poor**

Features

Product Type Features

Connector Seal Type	Single Wire Seal (SWS)
---------------------	------------------------

Body Features

Seal Material	Silicone
Primary Product Color	White

Dimensions

Cavity Diameter	5.2 mm[.205 in]
Accepts Cable Insulation Diameter Range	3 mm[.118 in]

Usage Conditions

Operating Temperature (Max)	65 °C, 70 °C, 75 °C, 80 °C, 85 °C, 90 °C, 100 °C, 105 °C, 110 °C, 120 °C, 125 °C, 130 °C [149 °F][158 °F][167 °F][176 °F][185 °F][194 °F][212 °F][221 °F][230 °F][248 °F][257 °F][266 °F]
Operating Temperature Range	-40 – 130 °C[-40 – 266 °F]

Industry Standards



UL Flammability Rating	None
------------------------	------

Other

Resistance to Hydrocarbons	Poor
----------------------------	------

Shore A Hardness	50
------------------	----

Contains Lubricant	Yes
--------------------	-----

Product Compliance

[For compliance documentation, visit the product page on TE.com>](#)

EU RoHS Directive 2011/65/EU	Compliant
------------------------------	-----------

EU ELV Directive 2000/53/EC	Compliant
-----------------------------	-----------

China RoHS 2 Directive MIIT Order No 32, 2016	No Restricted Materials Above Threshold
---	---

EU REACH Regulation (EC) No. 1907/2006	Current ECHA Candidate List: JAN 2022 (223) Candidate List Declared Against: JAN 2022 (223) Does not contain REACH SVHC
--	---

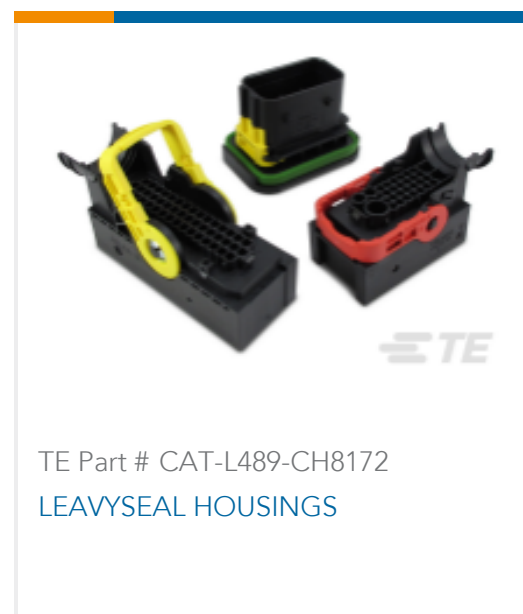
Halogen Content	Low Halogen - Br, Cl, F, I < 900 ppm per homogenous material. Also BFR/CFR/PVC Free
-----------------	---

Solder Process Capability	Not applicable for solder process capability
---------------------------	--

Product Compliance Disclaimer

This information is provided based on reasonable inquiry of our suppliers and represents our current actual knowledge based on the information they provided. This information is subject to change. The part numbers that TE has identified as EU RoHS compliant have a maximum concentration of 0.1% by weight in homogenous materials for lead, hexavalent chromium, mercury, PBB, PBDE, DBP, BBP, DEHP, DIBP, and 0.01% for cadmium, or qualify for an exemption to these limits as defined in the Annexes of Directive 2011/65/EU (RoHS2). Finished electrical and electronic equipment products will be CE marked as required by Directive 2011/65/EU. Components may not be CE marked. Additionally, the part numbers that TE has identified as EU ELV compliant have a maximum concentration of 0.1% by weight in homogenous materials for lead, hexavalent chromium, and mercury, and 0.01% for cadmium, or qualify for an exemption to these limits as defined in the Annexes of Directive 2000/53/EC (ELV). Regarding the REACH Regulation, the information TE provides on SVHC in articles for this part number is based on the latest European Chemicals Agency (ECHA) 'Guidance on requirements for substances in articles' posted at this URL: <https://echa.europa.eu/guidance-documents/guidance-on-reach>

Compatible Parts



Also in the Series | [Timer Connector System](#)



Automotive Connector Caps & Covers (11)



Automotive Connector Locks & Position Assurance(16)



Automotive Housings(219)



Automotive Seals & Cavity Plugs(31)



Automotive Terminals(140)



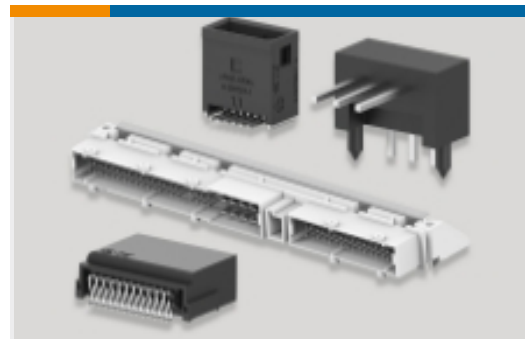
Crimp Terminal Housings(13)



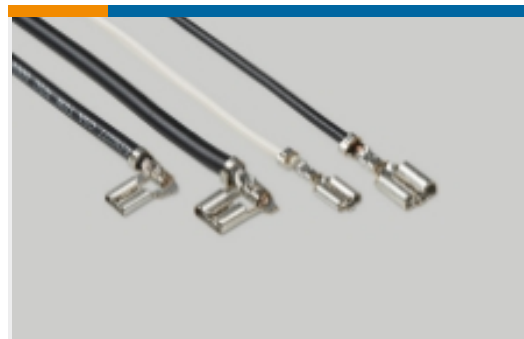
Insertion & Extraction Tools(20)



Other Automotive Connector Accessories(1)



PCB Headers & Receptacles(78)



Quick Disconnects(4)

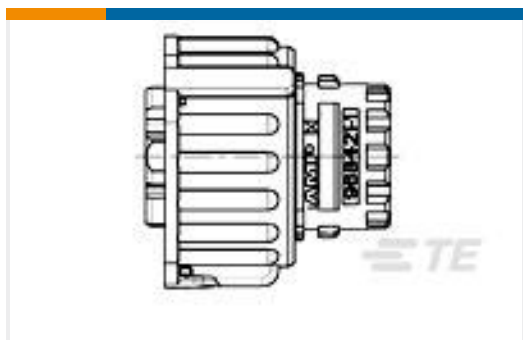
Customers Also Bought



TE Part #964972-1
EINZELLEITERDICHTNG



TE Part #963530-1
EINZELLEITERDICHTNG



TE Part #967650-1
1.5MM BU-STE KPL 7P



TE Part #1-962916-1
TAB 2.8x0.8 CONTACT CS SWS Sn



TE Part #1-968857-3
AMP MCP 2.8, CONTACT SWS



TE Part #2109441-4
MCP 2.8 8/4P PLUG ASSY BLK/A



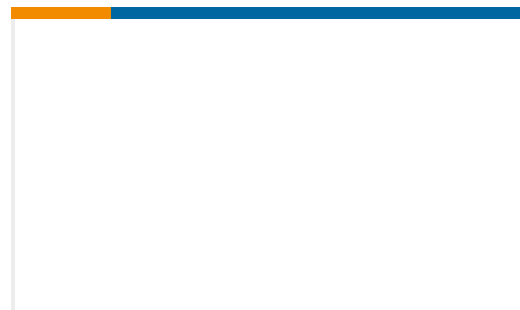
TE Part #3-1768048-5
STD24Y-T



TE Part #1718230-1
1,5MM PIN HSG 5-7 POS ASSY



TE Part #CH03286001
RBK-ILS-125-NR1-0-40MM



TE Part #517251-000
CLTEQ-81-TSTR-MCR

Documents

Product Drawings

SINGLE-WIRE-SEAL(5MM HOLE)

English

CAD Files

Customer View Model

ENG_CVM_CVM_828905-1_J.2d_dxf.zip

English

3D PDF

3D

Customer View Model

ENG_CVM_CVM_828905-1_J.3d_igs.zip

English

Customer View Model

ENG_CVM_CVM_828905-1_J.3d_stp.zip

English

By downloading the CAD file I accept and agree to the [Terms and Conditions](#) of use.

Datasheets & Catalog Pages

MCON Interconnection System

English

HDSCS Catalog

English

CONNECTOR SELECTOR

English

Product Specifications

Application Specification

English

APPLICATION SPECIFICATION FOR JUNIOR POWER TIMER CONTACT FOR SINGLE WIRE SEALING

English

Application Specification

English

Junior Power Timer Contact Crimped on Tube

English



Product Environmental Compliance

[MD_828905-1_05242018539_dmtec](#)

English

[MD_828905-1_05242018539_dmtec](#)

English