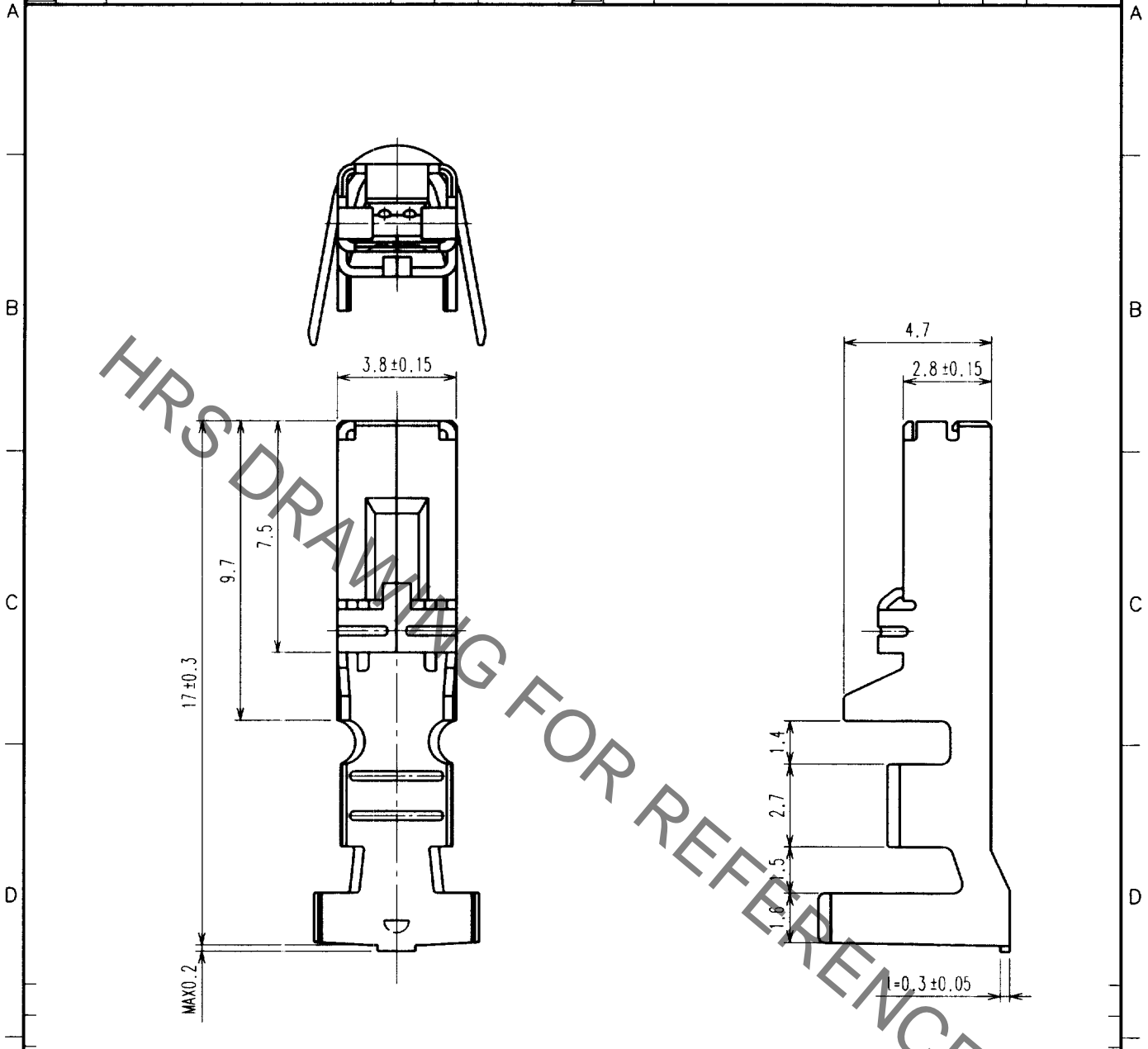


Oct.1.2019 Copyright 2019 HIROSE ELECTRIC CO., LTD. All Rights Reserved.
 In case of consideration for using Automotive equipment / device which demand high reliability, kindly contact our sales window correspondents.

1	2				3				4					
COUNT	DESCRIPTION OF REVISIONS	BY	CHKD	DATE	COUNT	DESCRIPTION OF REVISIONS	BY	CHKD	DATE	COUNT	DESCRIPTION OF REVISIONS	BY	CHKD	DATE
△					△					△				
△					△					△				
△					△					△				



NOTES 1. TOLERANCES TO BE ± 0.2 UNLESS OTHERWISE SPECIFIED.
 2. 1 PACK CONSISTS OF 100 CONTACTS.
 3. C-UL (FILE NO. E52653),
 TÜV (FILE NO. R9950703) APPROVED PRODUCT.



NO. 1		COPPER ALLOY		TIN PLATED	
MATERIAL		FINISH, REMARKS		FINISH, REMARKS	
CODE NO. (OLD)		DRAWN		DESIGNED	
CL		CHECKED		APPROVED	
		RELEASED			
		<i>T. Miyazaki</i>		<i>T. Miyazaki</i>	
		<i>00.3.1</i>		<i>00.3.1</i>	
		<i>K. Katayama</i>		<i>K. Katayama</i>	
		<i>00.3.1</i>		<i>00.3.2</i>	
DRAWING NO.		PART NO.			
EDC4-163018		DF22A-1416SC			
SACLE		CODE NO.			
5 : 1		CL680-1003-1		1	
UNITS				1	
mm				1	

TO