

936106-1 ✓ ACTIVE

Sealed Sensor Connector SSC System

TE Internal #: 936106-1

Automotive Connector Locks & Position Assurance, Yellow, Wire-to-Board / Wire-to-Wire, PBT, Sealed Sensor Connector SSC System

[View on TE.com >](#)



Connectors > Automotive Connectors > Connector Accessories > Locks & Position Assurance



Primary Product Color: **Yellow**

Connector System: **Wire-to-Board, Wire-to-Wire**

Primary Product Material: **PBT**

Operating Temperature Range: **-40 – 120 °C [-40 – 248 °F]**

Features

Product Type Features

Connector System	Wire-to-Board, Wire-to-Wire
------------------	-----------------------------

Body Features

Primary Product Color	Yellow
Primary Product Material	PBT

Usage Conditions

Operating Temperature Range	-40 – 120 °C[-40 – 248 °F]
-----------------------------	----------------------------

Industry Standards

UL Flammability Rating	UL 94HB
------------------------	---------

Packaging Features

Packaging Quantity	8000
Packaging Method	Bag

Other

Serviceable	Yes
-------------	-----

Product Compliance

[For compliance documentation, visit the product page on TE.com>](#)

EU RoHS Directive 2011/65/EU	Compliant
EU ELV Directive 2000/53/EC	Compliant
China RoHS 2 Directive MIIT Order No 32, 2016	No Restricted Materials Above Threshold



EU REACH Regulation (EC) No. 1907/2006

Current ECHA Candidate List: JAN 2022 (223)

Candidate List Declared Against: JAN 2022 (223)

Does not contain REACH SVHC

Halogen Content

Low Halogen - Br, Cl, F, I < 900 ppm per homogenous material. Also BFR/CFR/PVC Free

Solder Process Capability

Not applicable for solder process capability

Product Compliance Disclaimer

This information is provided based on reasonable inquiry of our suppliers and represents our current actual knowledge based on the information they provided. This information is subject to change. The part numbers that TE has identified as EU RoHS compliant have a maximum concentration of 0.1% by weight in homogenous materials for lead, hexavalent chromium, mercury, PBB, PBDE, DBP, BBP, DEHP, DIBP, and 0.01% for cadmium, or qualify for an exemption to these limits as defined in the Annexes of Directive 2011/65/EU (RoHS2). Finished electrical and electronic equipment products will be CE marked as required by Directive 2011/65/EU. Components may not be CE marked. Additionally, the part numbers that TE has identified as EU ELV compliant have a maximum concentration of 0.1% by weight in homogenous materials for lead, hexavalent chromium, and mercury, and 0.01% for cadmium, or qualify for an exemption to these limits as defined in the Annexes of Directive 2000/53/EC (ELV). Regarding the REACH Regulation, the information TE provides on SVHC in articles for this part number is based on the latest European Chemicals Agency (ECHA) 'Guidance on requirements for substances in articles' posted at this URL: <https://echa.europa.eu/guidance-documents/guidance-on-reach>

Compatible Parts



TE Part # CAT-AM705-CH8172
AMP MCP, SEALED CONNECTOR HOUSING



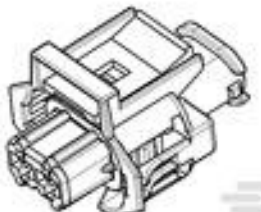
TE Part # CAT-T4827-CH8172
TIMER, CONNECTOR HOUSING



TE Part # 936060-1
2.8MM SLD 3P PLUG ASSY-TDC



TE Part # 2-936060-1
2.8MM SLD 3P PLUG ASSY



TE Part # 936060-2
2.8MM SLD 3P PLUG ASSY-TDC

Also in the Series | **Sealed Sensor Connector SSC System**



Automotive Connector Caps & Covers (7)



Automotive Connector Locks & Position Assurance(6)



Automotive Housings(178)



Automotive Seals & Cavity Plugs(3)



Automotive Terminals(8)



Insertion & Extraction Tools(1)



Other Automotive Connector Accessories(7)

Customers Also Bought



TE Part #281852-2
PL 250 REC HSG 4P NYLON BLACK



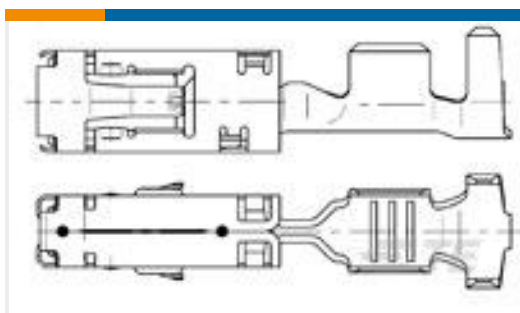
TE Part #776538-3
AS 16, 8P CAP ASSY, RD, KEY 3



TE Part #1743632-2
HYB SLD 36P PLUG ASSY



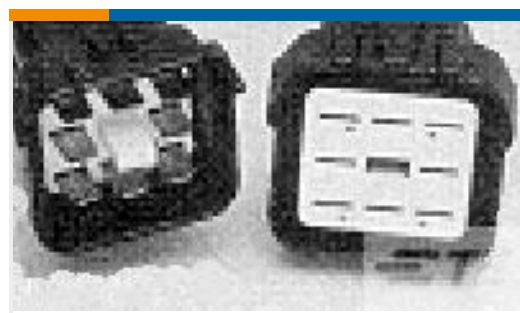
TE Part #2-85262-1
ECONOSEAL, CONNECTOR HOUSING



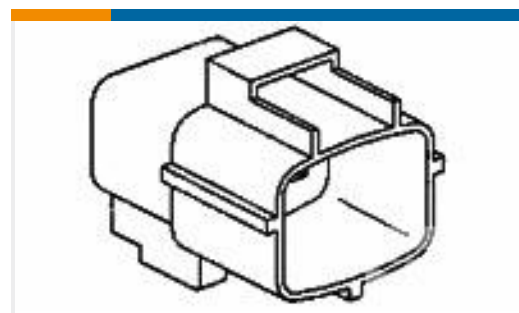
TE Part #967542-2
SENS FLA-KONT 2,8



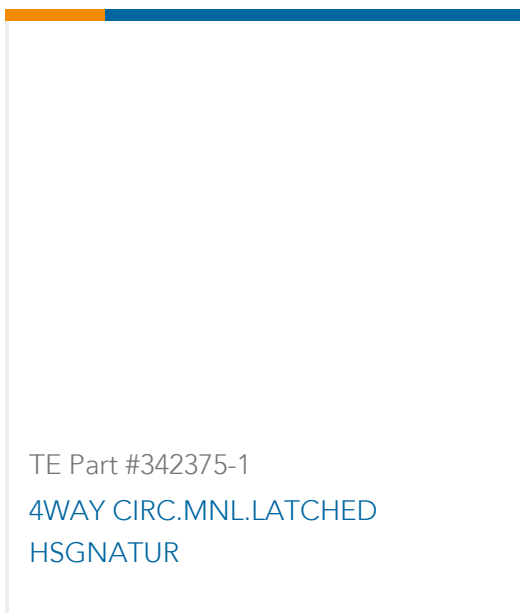
TE Part #3257456005
RBK-VWS-125-NR2-X-40MM



TE Part #344081-1
RECPT. HSG. ASSY. 2 WAY



TE Part #368301-1
E-S MK-2(+) 15P CAP HSG BLACK



TE Part #342375-1
4WAY CIRC.MNL.LATCHED HSGNATUR

Documents



Product Drawings

2.8MM SLD 3P PLUG RETAINER YEL

English

CAD Files

Customer View Model

[ENG_CVM_CVM_936106-1_A.2d_dxf.zip](#)

English

3D PDF

3D

Customer View Model

[ENG_CVM_CVM_936106-1_A.3d_igs.zip](#)

English

Customer View Model

[ENG_CVM_CVM_936106-1_A.3d_stp.zip](#)

English

By downloading the CAD file I accept and agree to the [Terms and Conditions](#) of use.

Product Specifications

2.8MM series

English

Product Environmental Compliance

Product Compliance

English

Product Compliance

English