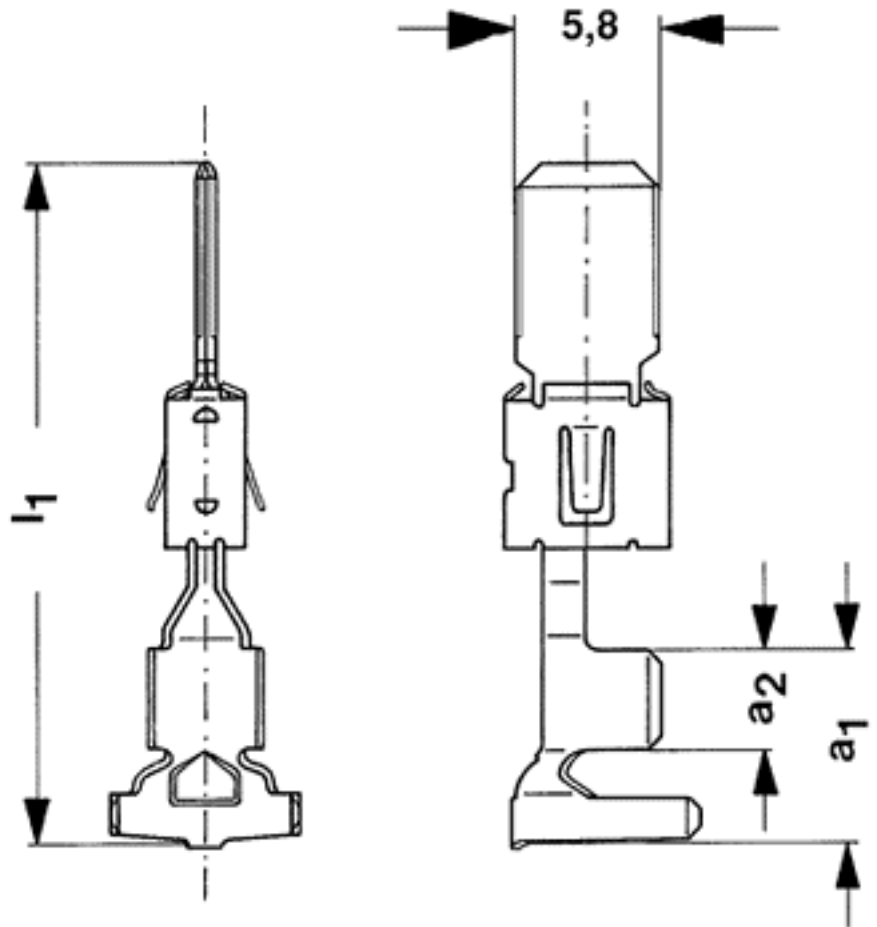




Characteristics and dimensions of terminals

| | |
|---------------------------------|-----------------------------|
| Part number | 26693.330.185 |
| Specification | AFS PLUS |
| Material | CuFeP |
| Surface / Colour | frSn 1 |
| Form | Chain form |
| Transport | Normal transverse transport |
| Assembly | X |
| Packing unit / piece | 1600 |
| Section area (mm ²) | 2.50-4.00 |
| Type of lead | FL |
| Insulation diameter (mm) | 3.8 - 4.5 |
| Tab thickness (mm) | 0.80 |
| Tab width (mm) | 5.80 |
| Nominal size | 4.8x0.8-4 |
| Material thickness (mm) | 0.38 |
| Steel spring | X |
| a ₁ | 7.70 |
| a ₂ | 4.00 |
| l ₁ | 27.20 |



Note: The drawing only gives an overview of the geometry of the part. The crimp area is shown as supplied in strip form. A technical drawing is available on request.

[Contents of your inquiry](#)

Packing Units (per 1600 pieces)

CW