

281872-1 ✓ ACTIVE

TE Internal #: 281872-1

Housing for Female Terminals, Wire-to-Wire, 3 Position, .196 in [5 mm] Centerline, Natural, Wire & Cable, Power & Signal, Cable Mount (Free-Hanging)

[View on TE.com >](#)



Connectors > Automotive Connectors > Connector Housings



Connector & Housing Type: **Housing for Female Terminals**

Mating Tab Width: **5 mm [.196 in]**

Connector System: **Wire-to-Wire**

Number of Positions: **3**

Centerline (Pitch): **5 mm [.196 in]**

Features

Product Type Features

Connector & Housing Shape	Rectangular
Connector & Housing Type	Housing for Female Terminals
Connector System	Wire-to-Wire
Sealable	No
Hybrid Connector	No
Primary Locking Feature	Integrated in Housing
Connector & Contact Terminates To	Wire & Cable

Configuration Features

Number of Positions	3
Number of Rows	1

Electrical Characteristics

Operating Voltage	24 VDC
Nominal Voltage Architecture	24 V

Body Features



Cable Exit Angle	180°
Body Material	PA GF
Primary Product Color	Natural

Contact Features

Contact Size	5mm
Contact Type	Receptacle
Mating Tab Width	5 mm [.196 in]

Mechanical Attachment

Mounting Feature	Without
Terminal Position Assurance	No
Strain Relief	Without
Mating Alignment Type	Keyed
Mating Alignment	With
Connector Mounting Type	Cable Mount (Free-Hanging)

Housing Features

Centerline (Pitch)	5 mm [.196 in]
--------------------	----------------

Dimensions

Product Width	16.8 mm [.661 in]
Product Length	16.3 mm [.648 in]
Product Height	22 mm [.866 in]

Usage Conditions

Operating Temperature (Max)	150 °C [302 °F]
Operating Temperature Range	-30 – 150 °C [-20 – 302 °F]

Operation/Application

Circuit Application	Power & Signal
---------------------	----------------

Packaging Features

Packaging Quantity	3000
Packaging Method	Box

Other

Serviceable	Yes
Connector Position Assurance Capable	No

Product Compliance




For compliance documentation, visit the product page on [TE.com](#)>

EU RoHS Directive 2011/65/EU	Compliant
EU ELV Directive 2000/53/EC	Compliant
China RoHS 2 Directive MIIT Order No 32, 2016	No Restricted Materials Above Threshold
EU REACH Regulation (EC) No. 1907/2006	Current ECHA Candidate List: JAN 2022 (223) Candidate List Declared Against: JAN 2022 (223) Does not contain REACH SVHC
Halogen Content	Low Halogen - Br, Cl, F, I < 900 ppm per homogenous material. Also BFR/CFR/PVC Free
Solder Process Capability	Not applicable for solder process capability

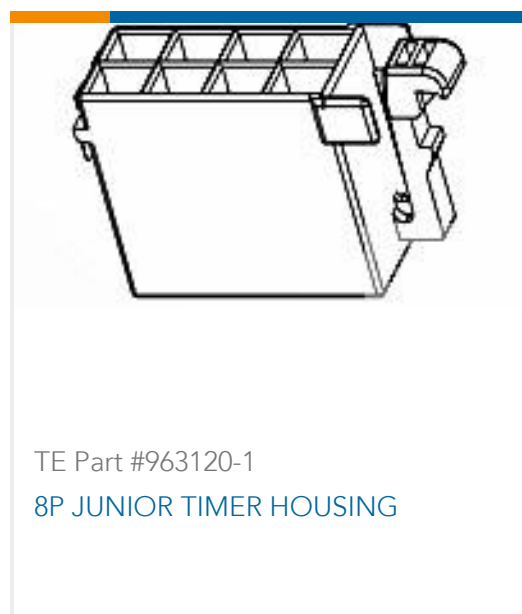
Product Compliance Disclaimer

This information is provided based on reasonable inquiry of our suppliers and represents our current actual knowledge based on the information they provided. This information is subject to change. The part numbers that TE has identified as EU RoHS compliant have a maximum concentration of 0.1% by weight in homogenous materials for lead, hexavalent chromium, mercury, PBB, PBDE, DBP, BBP, DEHP, DIBP, and 0.01% for cadmium, or qualify for an exemption to these limits as defined in the Annexes of Directive 2011/65/EU (RoHS2). Finished electrical and electronic equipment products will be CE marked as required by Directive 2011/65/EU. Components may not be CE marked. Additionally, the part numbers that TE has identified as EU ELV compliant have a maximum concentration of 0.1% by weight in homogenous materials for lead, hexavalent chromium, and mercury, and 0.01% for cadmium, or qualify for an exemption to these limits as defined in the Annexes of Directive 2000/53/EC (ELV). Regarding the REACH Regulation, the information TE provides on SVHC in articles for this part number is based on the latest European Chemicals Agency (ECHA) 'Guidance on requirements for substances in articles' posted at this URL: <https://echa.europa.eu/guidance-documents/guidance-on-reach>

Compatible Parts

 <p>TE Part # 282308-1 5MM PITCH RCPT CONTACT</p>	 <p>TE Part # 282309-1 5MM PITCH RCPT CONTACT</p>	 <p>TE Part # 282310-1 5MM PITCH RCPT CONTACT</p>
--	--	--

Customers Also Bought



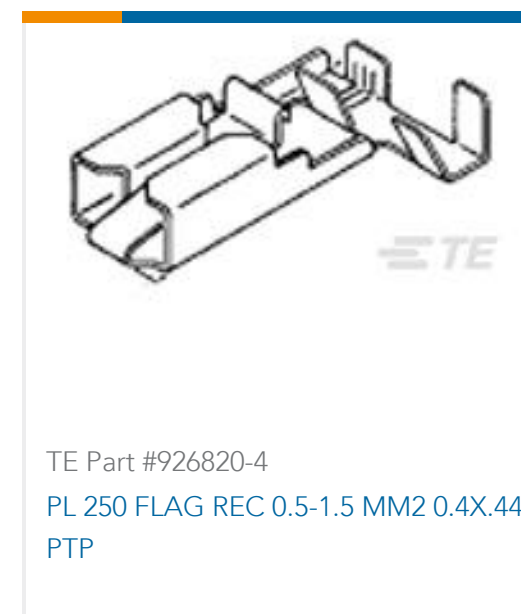
TE Part #963120-1
8P JUNIOR TIMER HOUSING



TE Part #962930-1
TIMER, RECEPTACLE AND TAB



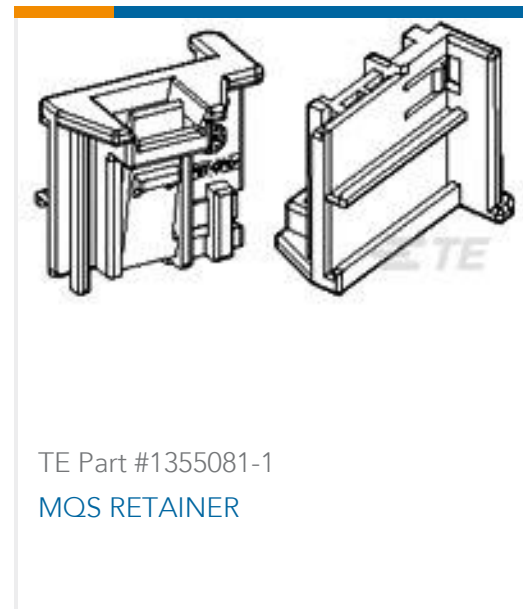
TE Part #345160-1
040 SERIES RECEPTACLE



TE Part #926820-4
PL 250 FLAG RECEPTACLE 0.5-1.5 MM2 0.4X.44 PTP



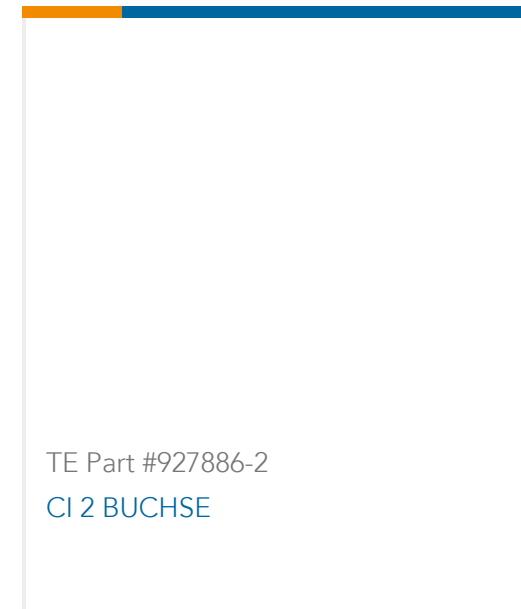
TE Part #282308-1
5MM PITCH RECEPTACLE CONTACT



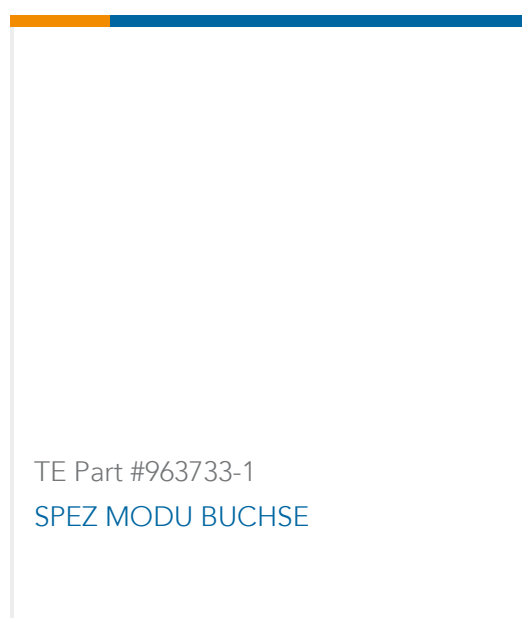
TE Part #1355081-1
MOS RETAINER



TE Part #927884-2
CI 2 STIFF



TE Part #927886-2
CI 2 BUCHSE



TE Part #963733-1
SPEZ MODU BUCHSE

Documents

Product Drawings

5MM PITCH TAB/RECEPTACLE CONN

English

CAD Files

Customer View Model

[ENG_CVM_281872-1_A.3d_igs.zip](#)

English

Customer View Model

[ENG_CVM_281872-1_A.3d_stp.zip](#)

English

Customer View Model

[ENG_CVM_281872-1_A.2d_dxf.zip](#)

English

3D PDF

3D

By downloading the CAD file I accept and agree to the [Terms and Conditions](#) of use.

Product Specifications



[connettore passo 5mm. con arpionismo a scatto](#)

English

[Product Specification](#)

English