

2109006-2 ✓ ACTIVE

Multilock Connector System

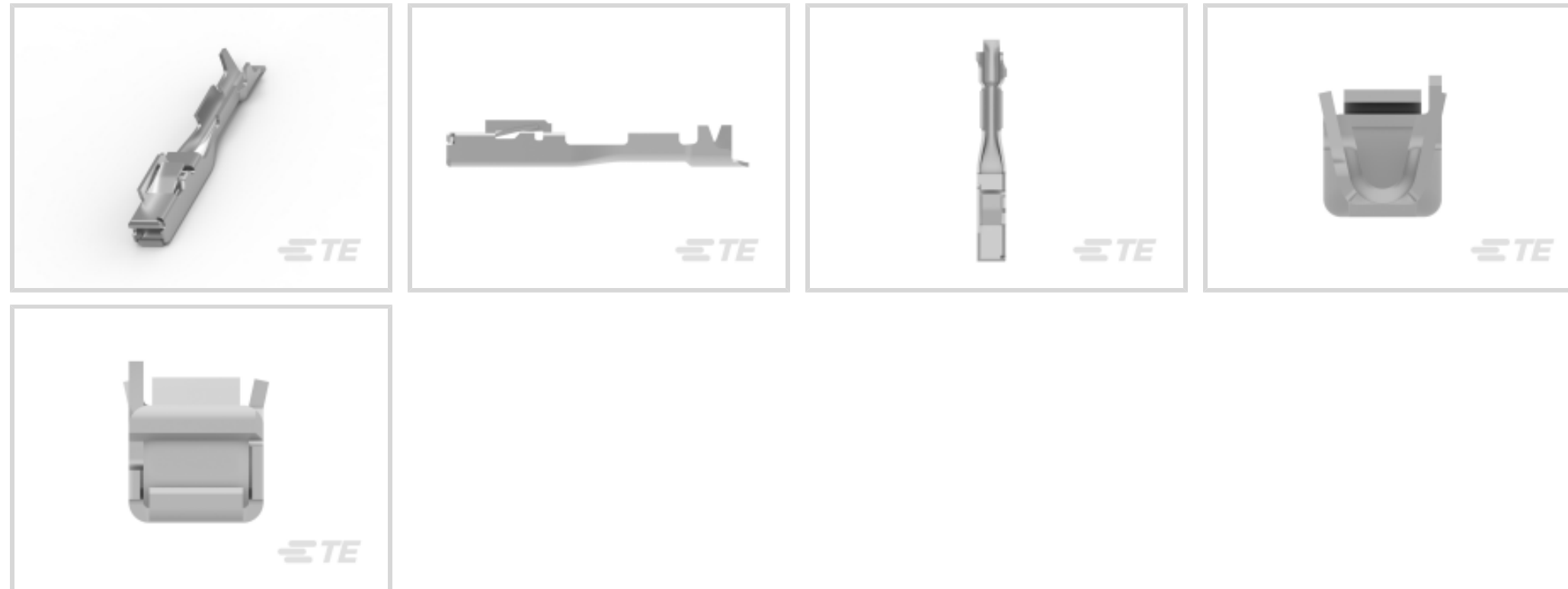
TE Internal #: 2109006-2

Automotive Terminals, Receptacle, Mating Tab Width 1.5 mm [.059 in], Tab Thickness .025 in [.64 mm], 20 – 18 AWG Wire Size, Multilock Connector System

[View on TE.com >](#)



Terminals & Splices > Automotive Terminals > MULTILOCK, RECEPTACLE AND TAB



Terminal Type: **Receptacle**

Mating Tab Width: 1.5 mm [.059 in]

Mating Tab Thickness: .64 mm [.025 in]

Terminal Transmits: 0 – 24 A (Low Power)

Wire Size: 20 – 18 AWG

[All MULTILOCK, RECEPTACLE AND TAB \(143\)](#)

Features

Product Type Features

Sealable	No
Primary Locking Feature	Locking Lance

Contact Features

Crimp Type	F-Crimp
Terminal Type	Receptacle
Mating Tab Width	1.5 mm [.059 in]
Mating Tab Thickness	.64 mm [.025 in]
Interface Plating	Tin (Sn)

Termination Features

Termination Method to Wire & Cable	Crimp
Product Terminates To	Wire

Dimensions



Wire Size	.5 – .75 mm ²
Wire Size Search	18 AWG, 19 AWG, 20 AWG
Wire Insulation Diameter	1.4 – 1.9 mm [.055 – .075 in]

Usage Conditions

Insulation Option	Uninsulated
Operating Temperature (Max)	80 °C, 85 °C, 90 °C, 100 °C, 105 °C [176 °F] [185 °F][194 °F][212 °F][221 °F]
Operating Temperature Range	-40 – 105 °C [-40 – 221 °F]

Operation/Application

Compatible With Wire Base Material	Copper
------------------------------------	--------

Industry Standards

Agency/Standard	OEM
-----------------	-----

Packaging Features

Packaging Method	Reel
Packaging Quantity	6000

Other

Terminal Transmits	0 – 24 A (Low Power)
--------------------	----------------------

Product Compliance

[For compliance documentation, visit the product page on TE.com>](#)

EU RoHS Directive 2011/65/EU	Compliant
EU ELV Directive 2000/53/EC	Compliant
China RoHS 2 Directive MIIT Order No 32, 2016	No Restricted Materials Above Threshold
EU REACH Regulation (EC) No. 1907/2006	Current ECHA Candidate List: JAN 2022 (223) Candidate List Declared Against: JAN 2022 (223) Does not contain REACH SVHC
Halogen Content	Low Halogen - Br, Cl, F, I < 900 ppm per homogenous material. Also BFR/CFR/PVC Free
Solder Process Capability	Not applicable for solder process capability

Product Compliance Disclaimer

This information is provided based on reasonable inquiry of our suppliers and represents our current actual knowledge based on the information they provided. This information is subject to change. The part numbers that TE has identified as



EU RoHS compliant have a maximum concentration of 0.1% by weight in homogenous materials for lead, hexavalent chromium, mercury, PBB, PBDE, DBP, BBP, DEHP, DIBP, and 0.01% for cadmium, or qualify for an exemption to these limits as defined in the Annexes of Directive 2011/65/EU (RoHS2). Finished electrical and electronic equipment products will be CE marked as required by Directive 2011/65/EU. Components may not be CE marked. Additionally, the part numbers that TE has identified as EU ELV compliant have a maximum concentration of 0.1% by weight in homogenous materials for lead, hexavalent chromium, and mercury, and 0.01% for cadmium, or qualify for an exemption to these limits as defined in the Annexes of Directive 2000/53/EC (ELV). Regarding the REACH Regulation, the information TE provides on SVHC in articles for this part number is based on the latest European Chemicals Agency (ECHA) 'Guidance on requirements for substances in articles' posted at this URL: <https://echa.europa.eu/guidance-documents/guidance-on-reach>

Compatible Parts



TE Part # 2305570-1
TERMINAL CUTTER, SIDE FEED



TE Part # CAT-M9194-CH8172
MULTILOCK, CONNECTOR HOUSING



TE Part # CAT-T319-CH8172
TH.025 CONNECTOR SYSTEM, HOUSING



TE Part # 2-2266964-1
OCEAN-2.0-APPLICATOR-S-062F072BX



TE Part # 2-2266964-2
OCEAN-2.0-APPLICATOR-S-062F072BXA



TE Part # 2266964-1
OCEAN-2.0-APPLICATOR-S-062F072BX



TE Part # 2266964-2
OCEAN-2.0-APPLICATOR-S-062F072BXA



TE Part # 7-2266964-1
OCEAN-2.0-APPLICATOR-S-062F072BX




TE Part # 7-2266964-2
OCEAN-2.0-APPLICATOR-S-062F072BXA




KIT
REPRESENTATION ONLY

TE Part # 7-2266964-7
OCEAN_2.0_SPARE_PART_KIT-062F072BX

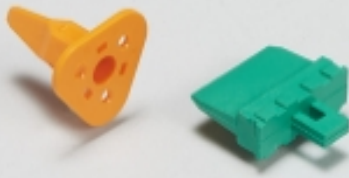
Also in the Series | Multilock Connector System




Automotive Connector Caps & Covers (16)



Automotive Connector EMC Shielding (1)



Automotive Connector Locks & Position Assurance(2)



Automotive Housings(575)



Automotive Seals & Cavity Plugs(2)



Automotive Terminals(141)



Insertion & Extraction Tools(6)

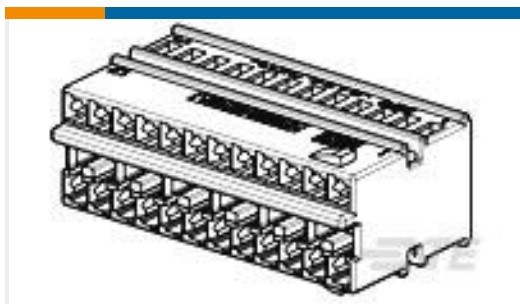


Other Automotive Connector Accessories(9)

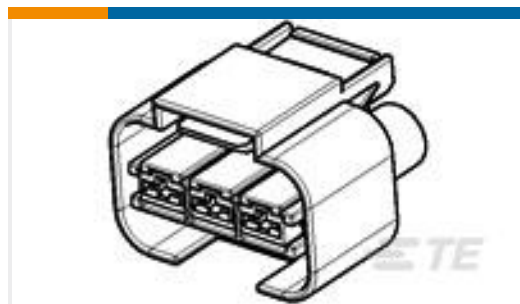


PCB Headers & Receptacles(129)

Customers Also Bought



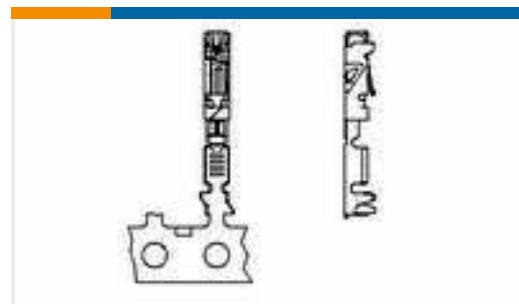
TE Part #284224-2
24 POS. REC. CONN. ASS'Y FOR AIR BAG



TE Part #1743271-2
SPT SLD 3P PLUG ASSY BLK



TE Part #1379662-5
12W PLUG HSG ASSY NATURAL



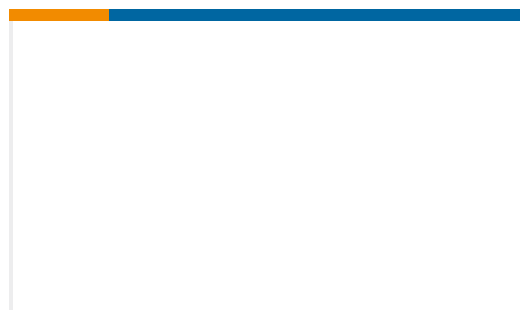
TE Part #1-1411552-1
ELOSTD M5300Y55



TE Part #1801431-1
RCPT CONT, 8MM NG1+, MAXIFUSE, 2.5-4 MM2



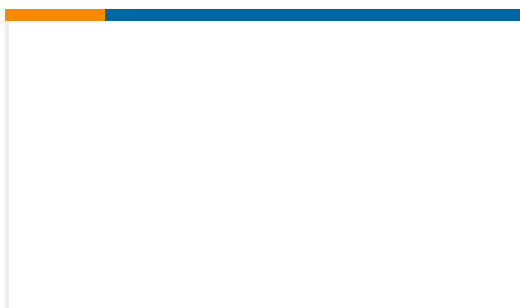
TE Part #1801614-3
4 MINIFUSES CLIPSHUNT (2,5-4)



TE Part #2005434-1
025/090 HYB 34P CAP ASSY



TE Part #2188402-2
060 16P PLUG ASSY



TE Part #5-2309306-6
GET 27P PLUG ASSY A4A6



TE Part #85069-2
250 P.LOCK REC

Documents



Product Drawings

060 REC(S) CONT

English

CAD Files

3D PDF

3D

Customer View Model

[ENG_CVM_CVM_2109006-2_A.2d_dxf.zip](#)

English

Customer View Model

[ENG_CVM_CVM_2109006-2_A.3d_igs.zip](#)

English

Customer View Model

[ENG_CVM_CVM_2109006-2_A.3d_stp.zip](#)

English

By downloading the CAD file I accept and agree to the [Terms and Conditions](#) of use.

Product Specifications

Application Specification

English

Product Environmental Compliance

Product Compliance

English

Product Compliance

English

Instruction Sheets

Instruction Sheet (non U.S.)

English