



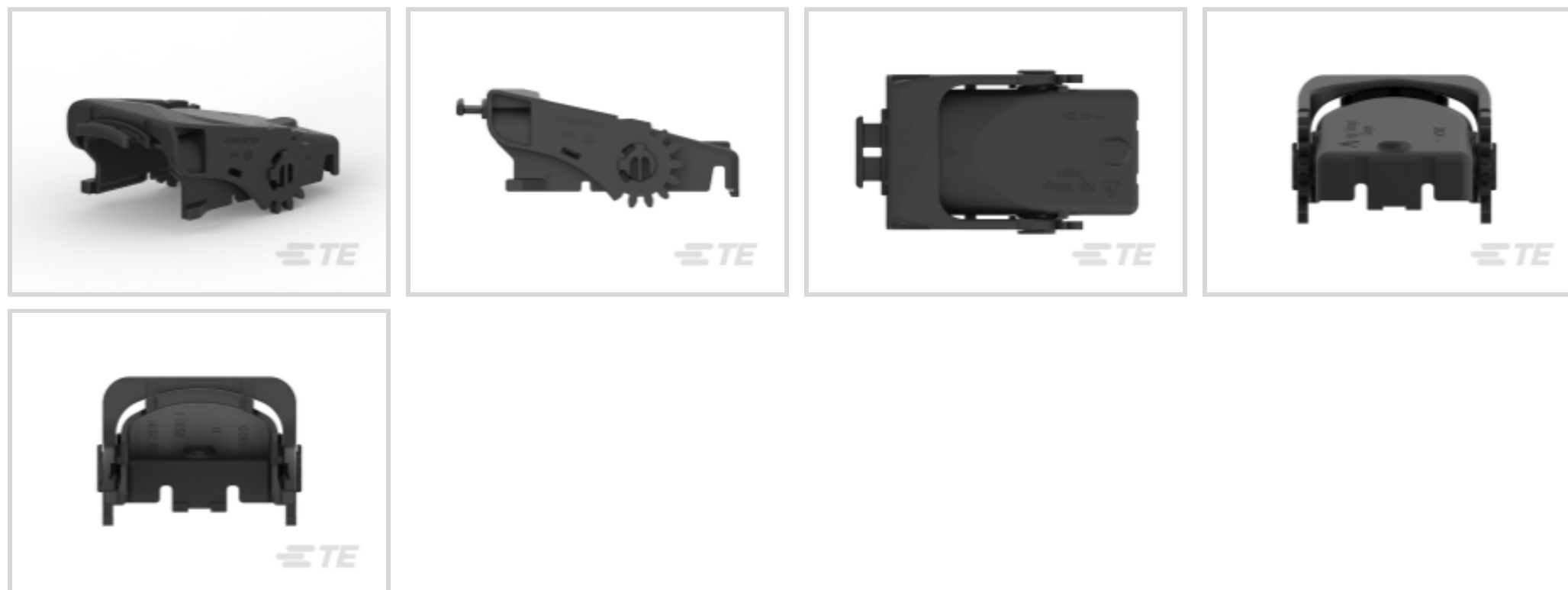
MCON Interconnection System

TE Internal #: 2208728-1

Automotive Connector Caps & Covers, Cover Assembly, Cable Exit Angle 90° (Right Angle), Black, PA GF, Wire-to-Board, MCON Interconnection System

[View on TE.com >](#)

Connectors > Automotive Connectors > Connector Accessories > Connector Caps & Covers



Protection & Strain Relief Accessory Type: **Cover Assembly**

Cable Exit Angle: **90° (Right Angle)**

Strain Relief: **With**

Primary Product Color: **Black**

Primary Product Material: **PA GF**

Features

Product Type Features

Protection & Strain Relief Accessory Type	Cover Assembly
Connector System	Wire-to-Board
Connector & Contact Terminates To	Printed Circuit Board

Body Features

Cable Exit Angle	90° (Right Angle)
Primary Product Color	Black
Primary Product Material	PA GF

Mechanical Attachment

Strain Relief	With
---------------	------

Usage Conditions

Operating Temperature (Max)	120 °C[248 °F]
Operating Temperature Range	-40 – 120 °C[-40 – 248 °F]

Operation/Application

--	--



Circuit Application	Power & Signal
---------------------	----------------

Product Compliance




[For compliance documentation, visit the product page on TE.com>](#)

EU RoHS Directive 2011/65/EU	Compliant
EU ELV Directive 2000/53/EC	Compliant
China RoHS 2 Directive MIIT Order No 32, 2016	No Restricted Materials Above Threshold
EU REACH Regulation (EC) No. 1907/2006	Current ECHA Candidate List: JAN 2022 (223) Candidate List Declared Against: JAN 2022 (223) Does not contain REACH SVHC
Halogen Content	Low Halogen - Br, Cl, F, I < 900 ppm per homogenous material. Also BFR/CFR/PVC Free
Solder Process Capability	Not reviewed for solder process capability

Product Compliance Disclaimer

This information is provided based on reasonable inquiry of our suppliers and represents our current actual knowledge based on the information they provided. This information is subject to change. The part numbers that TE has identified as EU RoHS compliant have a maximum concentration of 0.1% by weight in homogenous materials for lead, hexavalent chromium, mercury, PBB, PBDE, DBP, BBP, DEHP, DIBP, and 0.01% for cadmium, or qualify for an exemption to these limits as defined in the Annexes of Directive 2011/65/EU (RoHS2). Finished electrical and electronic equipment products will be CE marked as required by Directive 2011/65/EU. Components may not be CE marked. Additionally, the part numbers that TE has identified as EU ELV compliant have a maximum concentration of 0.1% by weight in homogenous materials for lead, hexavalent chromium, and mercury, and 0.01% for cadmium, or qualify for an exemption to these limits as defined in the Annexes of Directive 2000/53/EC (ELV). Regarding the REACH Regulation, the information TE provides on SVHC in articles for this part number is based on the latest European Chemicals Agency (ECHA) 'Guidance on requirements for substances in articles' posted at this URL: <https://echa.europa.eu/guidance-documents/guidance-on-reach>

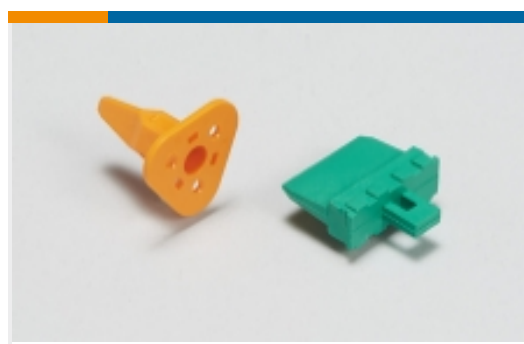
Compatible Parts

 <p>TE Part # 1-2208720-1 105POS,MCON 1.2 CB,REC HSG, ASSY,SLD</p>	 <p>TE Part # 2208709-1 91POS, MIXED,REC HSG,ASSY, SEALED</p>	 <p>TE Part # 2208720-1 105POS,MCON 1.2 CB,REC HSG, ASSY,SLD</p>
---	---	---

Also in the Series | **MCON Interconnection System**



Automotive Connector Caps & Covers (24)



Automotive Connector Locks & Position Assurance(11)



Automotive Housings(288)



Automotive Seals & Cavity Plugs(4)



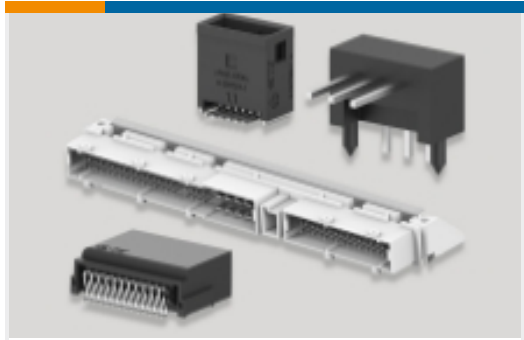
Automotive Terminals(113)



Insertion & Extraction Tools(31)

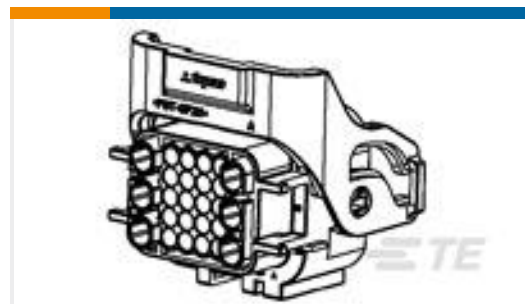


Other Automotive Connector Accessories(6)

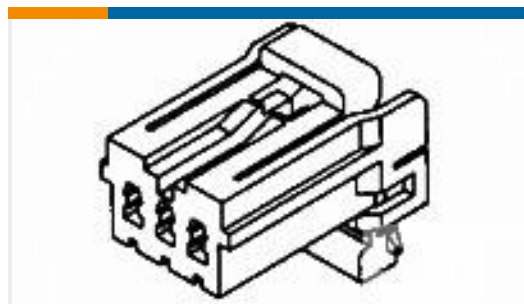


PCB Headers & Receptacles(1)

Customers Also Bought



TE Part #1897009-2
MT-2/JPT SLD 26P PLUG ASSY TYPE A



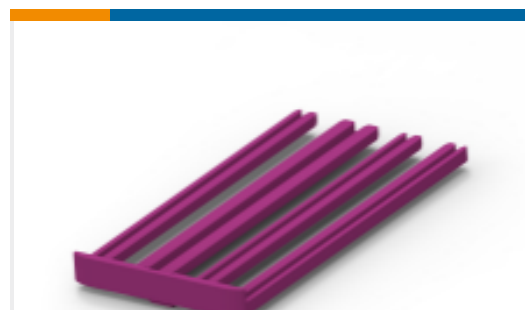
TE Part #368502-1
070 MLC PLUG HSG 6P SGL



TE Part #1718562-1
REC. HSG.,4POSN.,RAD.SEAL,AMP MCP2.8K



TE Part #2-142183-1
MIC RECEP MKI



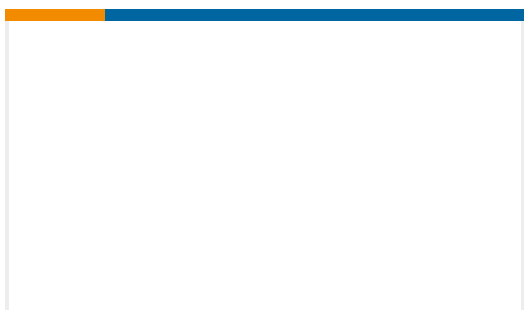
TE Part #2208714-2
2. LOCK,MCON1,2 CB



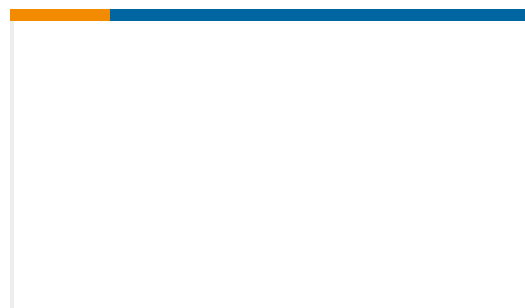
TE Part #2208715-1
2. LOCK,AMP MCP2,8



TE Part #1587041-1
34P FEMALE PLUG ASSY-KEY A



TE Part #2208714-1
2. LOCK,MCON1,2 CB



TE Part #9-2208716-9
PLATE,FAMILY SEAL COVER,91POS



TE Part #9-2208738-9
PLATE,FAMILY SEAL COVER,105POS

Documents



Product Drawings

[COVER,OUTGOING DIRECT,ASSY](#)

English

CAD Files

[3D PDF](#)

3D

Customer View Model

[ENG_CVM_CVM_2208728-1_A.2d_dxf.zip](#)

English

Customer View Model

[ENG_CVM_CVM_2208728-1_A.3d_igs.zip](#)

English

Customer View Model

[ENG_CVM_CVM_2208728-1_A.3d_stp.zip](#)

English

By downloading the CAD file I accept and agree to the [Terms and Conditions](#) of use.

Product Environmental Compliance

[Product Compliance](#)

English

[Product Compliance](#)

English