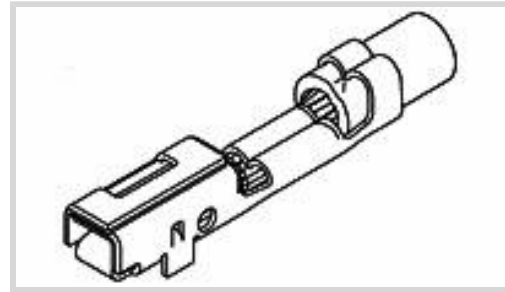




Terminals & Splices > Automotive Terminals > MULTILOCK, RECEPTACLE AND TAB



Terminal Type: **Receptacle**

Mating Tab Width: 2.3 mm [.091 in]

Mating Tab Thickness: .64 mm [.025 in]

Terminal Transmits: 0 – 24 A (Low Power)

Wire Size: 22 – 20 AWG

[All MULTILOCK, RECEPTACLE AND TAB \(143\)](#)

## Features

### Product Type Features

Sealable	No
Primary Locking Feature	Clean Body

### Contact Features

Crimp Type	F-Crimp
Terminal Type	Receptacle
Mating Tab Width	2.3 mm [.091 in]
Mating Tab Thickness	.64 mm [.025 in]
Interface Plating	Tin (Sn)

### Termination Features

Termination Method to Wire & Cable	Crimp
Product Terminates To	Wire

### Dimensions

Wire Size	.3 – .5 mm <sup>2</sup>
Wire Size Search	20 AWG, 21 AWG, 22 AWG
Wire Insulation Diameter	1.1 – 2.3 mm [.043 – .09 in]

### Usage Conditions

--	--



Insulation Option	Uninsulated
Operating Temperature (Max)	80 °C, 85 °C, 90 °C, 100 °C, 105 °C[176 °F] [185 °F][194 °F][212 °F][221 °F]
Operating Temperature Range	-30 – 105 °C[-22 – 221 °F]

### Operation/Application

Compatible With Wire Base Material	Copper
------------------------------------	--------

### Packaging Features

Packaging Method	Reel
Packaging Quantity	5000

### Other

Terminal Transmits	0 – 24 A (Low Power)
--------------------	----------------------

## Product Compliance

[For compliance documentation, visit the product page on TE.com>](#)

EU RoHS Directive 2011/65/EU	Compliant
EU ELV Directive 2000/53/EC	Compliant
China RoHS 2 Directive MIIT Order No 32, 2016	No Restricted Materials Above Threshold
EU REACH Regulation (EC) No. 1907/2006	Current ECHA Candidate List: JAN 2022 (223) Candidate List Declared Against: JAN 2022 (223) Does not contain REACH SVHC
Halogen Content	Low Halogen - Br, Cl, F, I < 900 ppm per homogenous material. Also BFR/CFR/PVC Free
Solder Process Capability	Not applicable for solder process capability

#### Product Compliance Disclaimer

This information is provided based on reasonable inquiry of our suppliers and represents our current actual knowledge based on the information they provided. This information is subject to change. The part numbers that TE has identified as EU RoHS compliant have a maximum concentration of 0.1% by weight in homogenous materials for lead, hexavalent chromium, mercury, PBB, PBDE, DBP, BBP, DEHP, DIBP, and 0.01% for cadmium, or qualify for an exemption to these limits as defined in the Annexes of Directive 2011/65/EU (RoHS2). Finished electrical and electronic equipment products will be CE marked as required by Directive 2011/65/EU. Components may not be CE marked. Additionally, the part numbers that TE has identified as EU ELV compliant have a maximum concentration of 0.1% by weight in homogenous materials for lead, hexavalent chromium, and mercury, and 0.01% for cadmium, or qualify for an exemption to these limits as defined in the Annexes of Directive 2000/53/EC (ELV). Regarding the REACH Regulation, the information TE provides on SVHC in articles for this part number is based on the latest European Chemicals Agency (ECHA) 'Guidance on requirements for substances in articles' posted at this URL: <https://echa.europa.eu/guidance-documents/guidance-on-reach>

## Compatible Parts



TE Part # 2305570-1  
TERMINAL CUTTER, SIDE FEED



TE Part # CAT-M9194-CH8172  
MULTILOCK, CONNECTOR HOUSING



TE Part # 368088-1  
090II NON SLD TAB(SQ.0.3-0.5)



TE Part # CAT-EC7491-CH8172  
ECONOSEAL, CONNECTOR HOUSING



TE Part # 2-2151251-1  
OCEAN\_2.0\_Applicator-S-071F110F



TE Part # 2-2151251-2  
OCEAN\_2.0\_Applicator-S-071F110F



TE Part # 2-2151253-1  
OCEAN\_2.0\_Applicator-S-070F110F



TE Part # 2-2151253-2  
OCEAN\_2.0\_Applicator-S-070F110FA



TE Part # 2151251-1  
OCEAN\_2.0\_Applicator-S-071F110F



TE Part # 2151251-2  
OCEAN\_2.0\_Applicator-S-071F110F



TE Part # 2151253-1  
OCEAN\_2.0\_Applicator-S-070F110F



TE Part # 2151253-2  
OCEAN\_2.0\_Applicator-S-070F110FA



TE Part # 5-2151251-1  
OCEAN\_2.0\_Applicator-S-071F110F



TE Part # 5-2151251-2  
OCEAN\_2.0\_Applicator-S-071F110F



TE Part # 7-2151251-1  
OCEAN\_2.0\_Applicator-S-071F110F



TE Part # 7-2151251-2  
OCEAN\_2.0\_Applicator-S-071F110F



**KIT**  
TE Part # 7-2151251-7  
OCEAN\_2.0\_SPARE\_PART\_KIT-071F110F



TE Part # 7-2151253-1  
OCEAN\_2.0\_Applicator-S-070F110F



TE Part # 7-2151253-2  
OCEAN\_2.0\_Applicator-S-070F110FA



**KIT**  
TE Part # 7-2151253-7  
OCEAN\_2.0\_SPARE\_PART\_KIT-070F110F

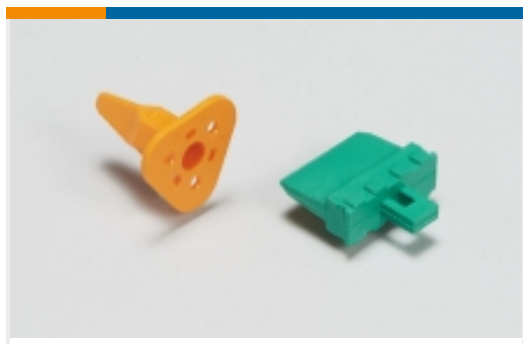
Also in the Series | [Multilock Connector System](#)



Automotive Connector Caps & Covers (16)



Automotive Connector EMC Shielding (1)



Automotive Connector Locks & Position Assurance(2)



Automotive Housings(575)



Automotive Seals & Cavity Plugs(2)



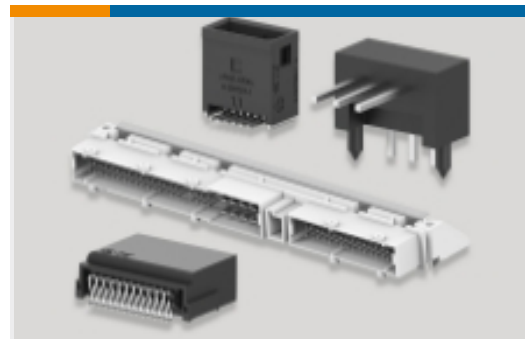
Automotive Terminals(141)



Insertion & Extraction Tools(6)

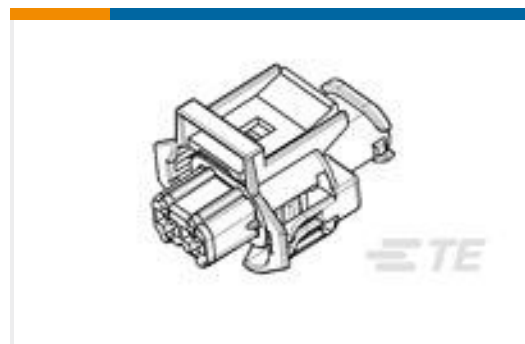


Other Automotive Connector Accessories(9)

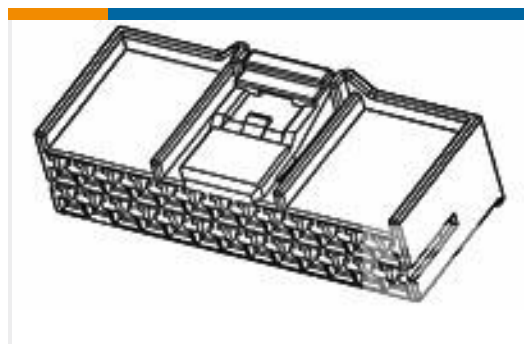


PCB Headers & Receptacles(129)

## Customers Also Bought



TE Part #936394-2  
2.8MM SLD 6P PLUG ASSY



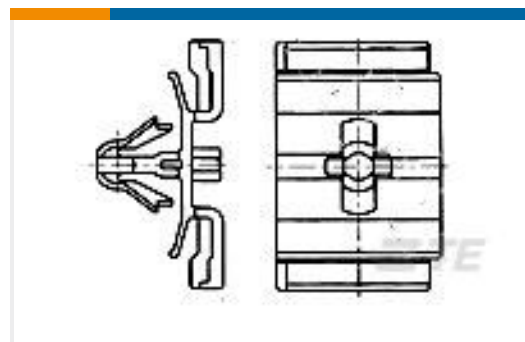
TE Part #936095-1  
090III 20P PLUG ASSY



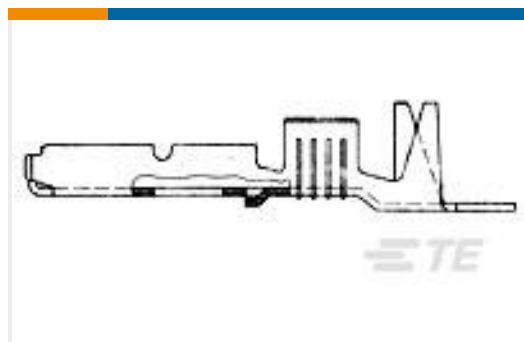
TE Part #1745032-1  
2 POS. MCP2.8 CONNECTOR FOR  
IGNITION KEY



TE Part #2109005-2  
060 TAB(S) CONT



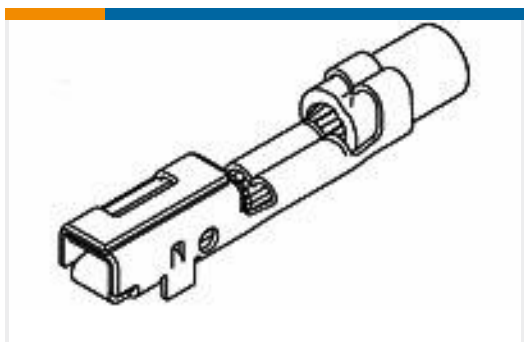
TE Part #282322-1  
HOOK FOR SEALED SEC.CONN.



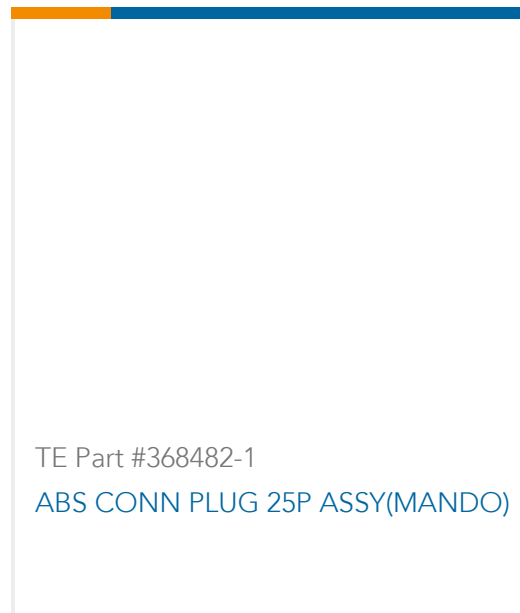
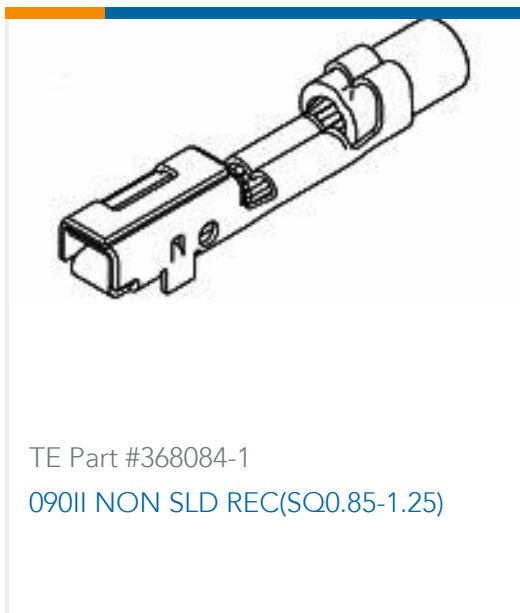
TE Part #281938-3  
MIC MARKII RCPT CONTACT



TE Part #1-936059-3  
2.8MM SLD 2P PLUG ASSY



TE Part #368083-1  
090III NON SLD REC(SQ 2.0)



## Documents

### Product Drawings

090II NON SLD REC(SQ 0.3-0.5)

English

### CAD Files

3D PDF

3D

Customer View Model

ENG\_CVM\_CVM\_368085-1\_H.2d\_dxf.zip

English

Customer View Model

ENG\_CVM\_CVM\_368085-1\_H.3d\_igs.zip

English

Customer View Model

ENG\_CVM\_CVM\_368085-1\_H.3d\_stp.zip

English

By downloading the CAD file I accept and agree to the [Terms and Conditions](#) of use.

### Datasheets & Catalog Pages

MULTILOCK Connector System

English

### Product Specifications

Application Specification

English

### Product Environmental Compliance

Product Compliance

English

Product Compliance

English