

3-1447221-4 ✓ ACTIVE

AMP | SUPERSEAL 1.0mm

TE Internal #: 3-1447221-4

Automotive Terminals, Socket, Pin Diameter .039 in [1 mm], 20

AWG Wire Size, .5 mm<sup>2</sup> Wire Size, Sealable, Family Seal,

SUPERSEAL 1.0mm

[View on TE.com >](#)



Terminals & Splices > Automotive Terminals > SUPERSEAL Connector Contacts: 1.0 mm



Terminal Type: **Socket**

Mating Pin Diameter: **1 mm [ .039 in ]**

Terminal Transmits: **0 – 24 A (Low Power)**

Wire Size: **.5 mm<sup>2</sup>**

[All SUPERSEAL Connector Contacts: 1.0 mm \(6\)](#)

## Features

### Product Type Features

Receptacle Style	180°
Sealable	Yes
Primary Locking Feature	Clean Body

### Body Features

Terminal Seal Type	Family Seal
--------------------	-------------

### Contact Features

Typical Current Rating	6 A
Crimp Type	F-Crimp
Terminal Type	Socket
Mating Pin Diameter	1 mm [.039 in]
Interface Plating	Gold (Au)
Contact Termination Area Plating Material	Tin (Sn)

### Termination Features



Termination Method to Wire & Cable	Crimp
Product Terminates To	Wire

### Dimensions

Wire Size	.5 mm <sup>2</sup>
Wire Size Search	20 AWG
Wire Insulation Diameter	1.6 – 1.9 mm [.063 – .075 in]

### Usage Conditions

Insulation Option	Uninsulated
Operating Temperature (Max)	80 °C, 85 °C, 90 °C, 100 °C, 105 °C, 110 °C, 120 °C, 125 °C, 130 °C [176 °F][185 °F][194 °F][212 °F][221 °F][230 °F][248 °F][257 °F][266 °F]
Operating Temperature Range	-30 – 130 °C [-22 – 266 °F]

### Operation/Application

Compatible With Wire Base Material	Copper
------------------------------------	--------

### Packaging Features

Packaging Method	Reel
Packaging Quantity	7000

### Other

Terminal Transmits	0 – 24 A (Low Power)
--------------------	----------------------

### Product Compliance

[For compliance documentation, visit the product page on TE.com>](#)

EU RoHS Directive 2011/65/EU	Compliant
EU ELV Directive 2000/53/EC	Compliant
China RoHS 2 Directive MIIT Order No 32, 2016	No Restricted Materials Above Threshold
EU REACH Regulation (EC) No. 1907/2006	Current ECHA Candidate List: JAN 2022 (223) Candidate List Declared Against: JAN 2022 (223) Does not contain REACH SVHC
Halogen Content	Low Halogen - Br, Cl, F, I < 900 ppm per homogenous material. Also BFR/CFR/PVC Free
Solder Process Capability	Not applicable for solder process capability

Product Compliance Disclaimer

This information is provided based on reasonable inquiry of our suppliers and represents our current actual knowledge based on the information they provided. This information is subject to change. The part numbers that TE has identified as EU RoHS compliant have a maximum concentration of 0.1% by weight in homogenous materials for lead, hexavalent chromium, mercury, PBB, PBDE, DBP, BBP, DEHP, DIBP, and 0.01% for cadmium, or qualify for an exemption to these limits as defined in the Annexes of Directive 2011/65/EU (RoHS2). Finished electrical and electronic equipment products will be CE marked as required by Directive 2011/65/EU. Components may not be CE marked. Additionally, the part numbers that TE has identified as EU ELV compliant have a maximum concentration of 0.1% by weight in homogenous materials for lead, hexavalent chromium, and mercury, and 0.01% for cadmium, or qualify for an exemption to these limits as defined in the Annexes of Directive 2000/53/EC (ELV). Regarding the REACH Regulation, the information TE provides on SVHC in articles for this part number is based on the latest European Chemicals Agency (ECHA) 'Guidance on requirements for substances in articles' posted at this URL: <https://echa.europa.eu/guidance-documents/guidance-on-reach>

## Compatible Parts



TE Part # 1454509-2  
SAHT SUPER SEAL 24 ASSY



TE Part # 1976144-1  
SDE COMMERCIAL HAND TOOL



TE Part # 2305570-1  
TERMINAL CUTTER, SIDE FEED



TE Part # CAT-SU763-CH8172  
SUPERSEAL Connector Housings: 1.0 mm



TE Part # 1976144-2  
SDE COMMERCIAL DIE



TE Part # 2-2151705-1  
OCEAN\_2.0\_Applicator-S-063F091O



TE Part # 2-2151705-2  
OCEAN\_2.0\_Applicator-S-063F091O



TE Part # 2151705-1  
OCEAN\_2.0\_Applicator-S-063F091O



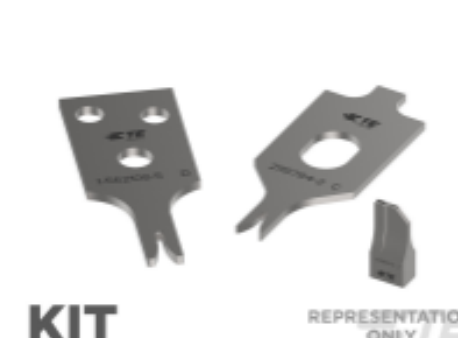
TE Part # 2151705-2  
OCEAN\_2.0\_Applicator-S-063F091O



TE Part # 7-2151705-1  
OCEAN\_2.0\_Applicator-S-063F091O

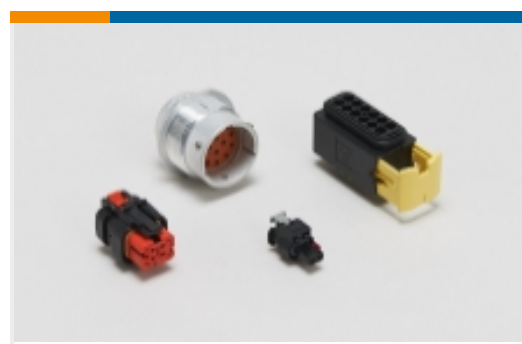


TE Part # 7-2151705-2  
OCEAN\_2.0\_Applicator-S-063F091O



TE Part # 7-2151705-7  
OCEAN\_2.0\_SPARE\_PART\_KIT-063F091O

## Also in the Series | SUPERSEAL 1.0mm



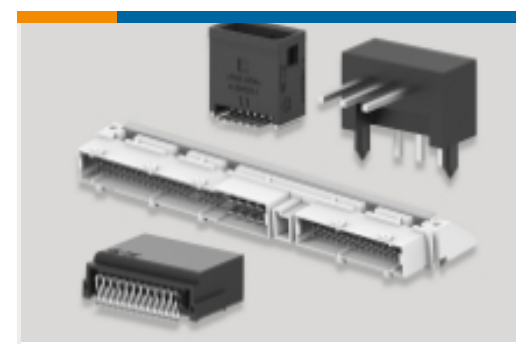
Automotive Housings(11)



Automotive Seals &amp; Cavity Plugs(1)



Automotive Terminals(6)

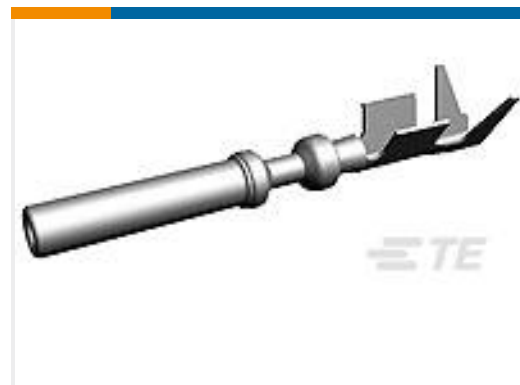


PCB Headers &amp; Receptacles(24)

## Customers Also Bought



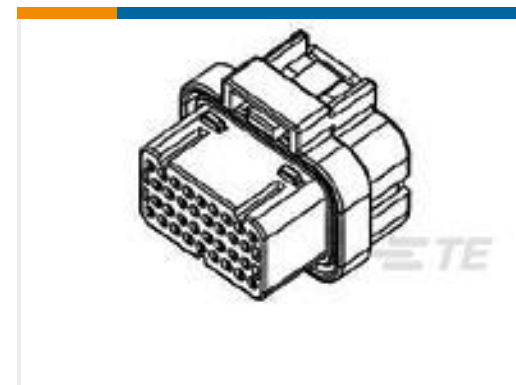
TE Part #3-1437290-8  
SUPERSEAL Connector Housings: 1.0 mm



TE Part #3-1447221-3  
S/S CONN REC CONTACT ASSEMBLY



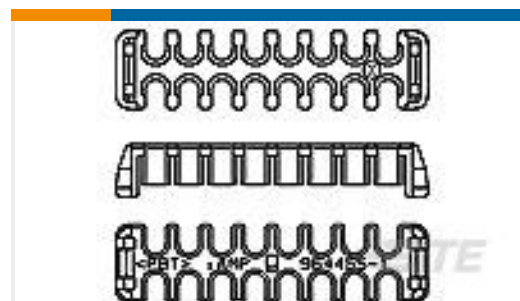
TE Part #K1160363  
Relay 29-111-11AB



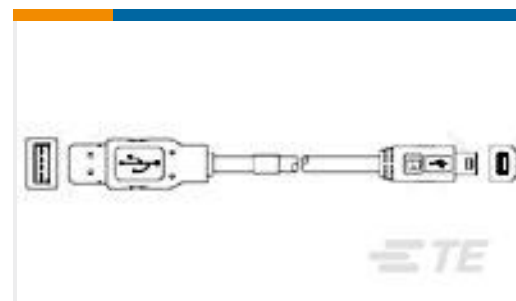
TE Part #8-1447231-2  
PLUG HOUSING 24P B KIT



TE Part #2103212-8  
Plug Assembly, 200A, MSD



TE Part #964455-1  
KONTAKTSICHERUNG16P



TE Part #1487594-5  
USB, A-B, 28/28, BLACK, 750MM

## Documents

### Product Drawings

[S/S CONN REC CONTACT ASSEMBLY](#)

English

[S/S CONN REC CONTACT ASSEMBLY](#)

English

### CAD Files

[3D PDF](#)

[3D](#)

[Customer View Model](#)

[ENG\\_CVM\\_CVM\\_3-1447221-4\\_C.2d\\_dxf.zip](#)

English

[Customer View Model](#)

[ENG\\_CVM\\_CVM\\_3-1447221-4\\_C.3d\\_igs.zip](#)

English

[Customer View Model](#)

[ENG\\_CVM\\_CVM\\_3-1447221-4\\_C.3d\\_stp.zip](#)



English

By downloading the CAD file I accept and agree to the [Terms and Conditions](#) of use.

### Datasheets & Catalog Pages

[ICT Terminals and Connectors Catalogue](#)

English

[CONNECTOR SELECTOR](#)

English

### Product Specifications

[Receptacle Contact, Super Seal Connector](#)

Japanese

[Application Specification](#)

Japanese

[Super Seal Connector](#)

Japanese

[Application Specification](#)

Japanese

[Application Specification](#)

English

### Product Environmental Compliance

[MD\\_3-1447221-4\\_12212017139\\_dmtec](#)

English

[MD\\_3-1447221-4\\_12212017139\\_dmtec](#)

English

### Instruction Sheets

[SUPER SEAL CONNECTOR RECEPTACLE CONTACT HAND CRIMPING TOOL](#)

Japanese

[Instruction Sheet \(non U.S.\)](#)

Japanese

[Instruction Sheet \(non U.S.\)](#)

English

[SUPER SEAL CONNECTOR PLUG HOUSING CONNECTOR](#)

English