

2141116-3 ✓ ACTIVE

AMP | MCON Interconnection System

TE Internal #: 2141116-3

Automotive Terminals, Tab, Mating Tab Width 1.2 mm [.047 in], Tab Thickness .024 in [.6 mm], 20 – 18 AWG Wire Size, MCON Interconnection System

[View on TE.com >](#)



Terminals & Splices > Automotive Terminals > MCON, RECEPTACLE AND TAB



Terminal Type: **Tab**

Mating Tab Width: **1.2 mm [.047 in]**

Mating Tab Thickness: **.6 mm [.024 in]**

Terminal Transmits: **0 – 24 A (Low Power)**

Wire Size: **20 – 18 AWG**

[All MCON, RECEPTACLE AND TAB \(103\)](#)

## Features

### Product Type Features

Sealable	Yes
Primary Locking Feature	Clean Body

### Body Features

Terminal Seal Type	Single Wire Seal (SWS)
--------------------	------------------------

### Contact Features

Crimp Type	F-Crimp
Terminal Type	Tab
Mating Tab Width	1.2 mm [.047 in]
Mating Tab Thickness	.6 mm [.024 in]
Interface Plating	Silver (Ag)

### Termination Features

Termination Method to Wire & Cable	Crimp
Product Terminates To	Wire

### Dimensions

Wire Size	.5 – .75 mm <sup>2</sup>
-----------	--------------------------



Wire Size Search	18 AWG, 19 AWG, 20 AWG
------------------	------------------------

Wire Insulation Diameter	1.4 – 1.9 mm [.055 – .075 in]
--------------------------	-------------------------------

### Usage Conditions

Insulation Option	Uninsulated
-------------------	-------------

Operating Temperature (Max)	80 °C, 85 °C, 90 °C, 100 °C, 105 °C, 110 °C, 120 °C, 125 °C, 130 °C, 140 °C, 145 °C, 150 °C [176 °F][185 °F][194 °F][212 °F][221 °F][230 °F][248 °F][257 °F][266 °F][284 °F][293 °F][302 °F]
-----------------------------	--

Operating Temperature Range	-40 – 150 °C [-40 – 302 °F]
-----------------------------	-----------------------------

### Operation/Application

Compatible With Wire Base Material	Copper
------------------------------------	--------

### Packaging Features

Packaging Method	Reel
------------------	------

Packaging Quantity	6000
--------------------	------

### Other

Terminal Transmits	0 – 24 A (Low Power)
--------------------	----------------------

## Product Compliance

[For compliance documentation, visit the product page on TE.com>](#)

EU RoHS Directive 2011/65/EU	Compliant
------------------------------	-----------

EU ELV Directive 2000/53/EC	Compliant
-----------------------------	-----------

China RoHS 2 Directive MIIT Order No 32, 2016	No Restricted Materials Above Threshold
---	---

EU REACH Regulation (EC) No. 1907/2006	Current ECHA Candidate List: JAN 2022 (223) Candidate List Declared Against: JAN 2022 (223) Does not contain REACH SVHC
--	---

Halogen Content	Low Halogen - Br, Cl, F, I < 900 ppm per homogenous material. Also BFR/CFR/PVC Free
-----------------	---

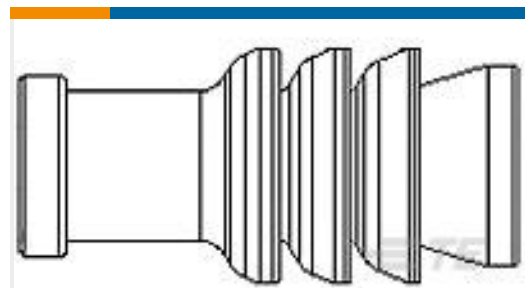
Solder Process Capability	Not reviewed for solder process capability
---------------------------	--

#### Product Compliance Disclaimer

This information is provided based on reasonable inquiry of our suppliers and represents our current actual knowledge based on the information they provided. This information is subject to change. The part numbers that TE has identified as EU RoHS compliant have a maximum concentration of 0.1% by weight in homogenous materials for lead, hexavalent chromium, mercury, PBB, PBDE, DBP, BBP, DEHP, DIBP, and 0.01% for cadmium, or qualify for an exemption to these limits as defined in the Annexes of Directive 2011/65/EU (RoHS2). Finished electrical and electronic equipment products

will be CE marked as required by Directive 2011/65/EU. Components may not be CE marked. Additionally, the part numbers that TE has identified as EU ELV compliant have a maximum concentration of 0.1% by weight in homogenous materials for lead, hexavalent chromium, and mercury, and 0.01% for cadmium, or qualify for an exemption to these limits as defined in the Annexes of Directive 2000/53/EC (ELV). Regarding the REACH Regulation, the information TE provides on SVHC in articles for this part number is based on the latest European Chemicals Agency (ECHA) 'Guidance on requirements for substances in articles' posted at this URL: <https://echa.europa.eu/guidance-documents/guidance-on-reach>

## Compatible Parts



TE Part # 967067-2  
MQS EINZELLEITDICHT



TE Part # 2305570-1  
TERMINAL CUTTER, SIDE FEED



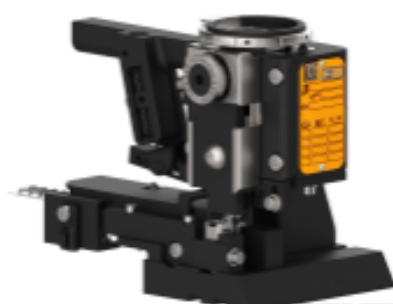
TE Part # CAT-M4595-T273  
MCON, RECEPTACLE AND TAB



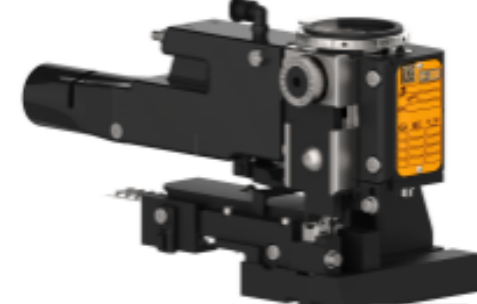
TE Part # CAT-M4595-CH8172  
MCON, CONNECTOR HOUSING



TE Part # 2297911-1  
12 WAY IN-LINE TAB PLUG ASSY



TE Part # 2-2151477-1  
OCEAN\_2.0\_APPLICATOR-S-055F125F



TE Part # 2-2151477-2  
OCEAN\_2.0\_APPLICATOR-S-055F125F



TE Part # 2151477-1  
OCEAN\_2.0\_APPLICATOR-S-055F125F



TE Part # 2151477-2  
OCEAN\_2.0\_APPLICATOR-S-055F125F



TE Part # 2304887-1  
16POS, HYBRID, TAB HSG ASSY, SLD, COD 1



TE Part # 2327042-1  
2POS, MCON 1.2, TAB HSG ASSY, SLD, COD A



TE Part # 2327042-2  
2POS, MCON 1.2, TAB HSG ASSY, SLD, COD B



TE Part # 2327042-3  
2POS, MCON 1.2, TAB HSG ASSY, SLD, COD C



TE Part # 5-2151477-1  
OCEAN\_2.0\_APPLICATOR-S-055F125F



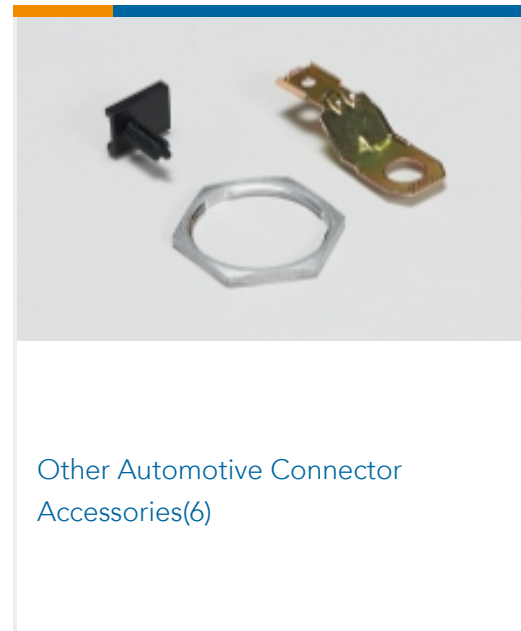
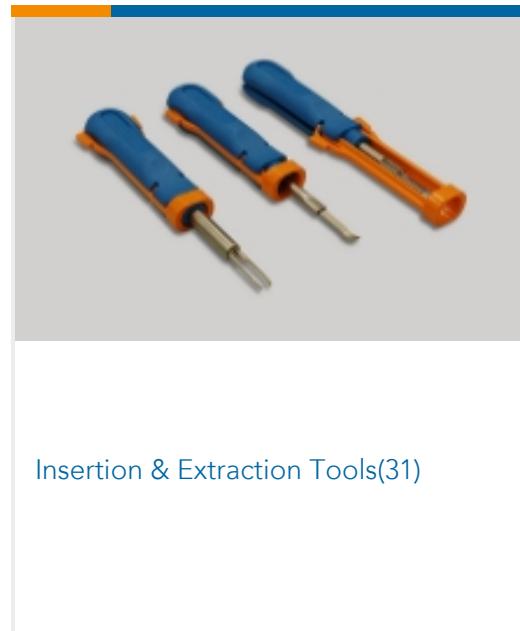
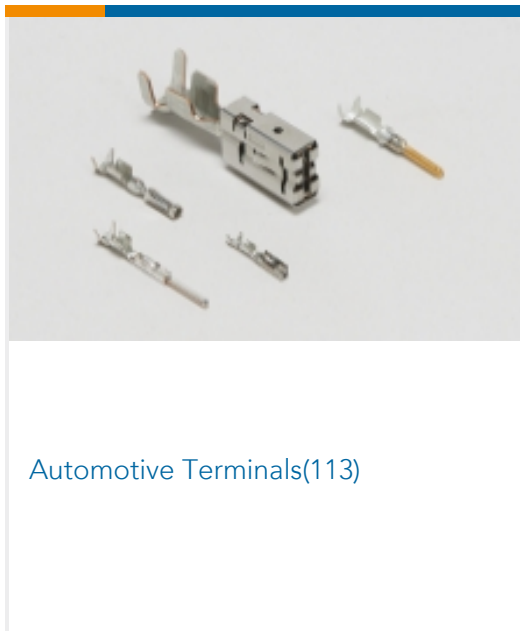
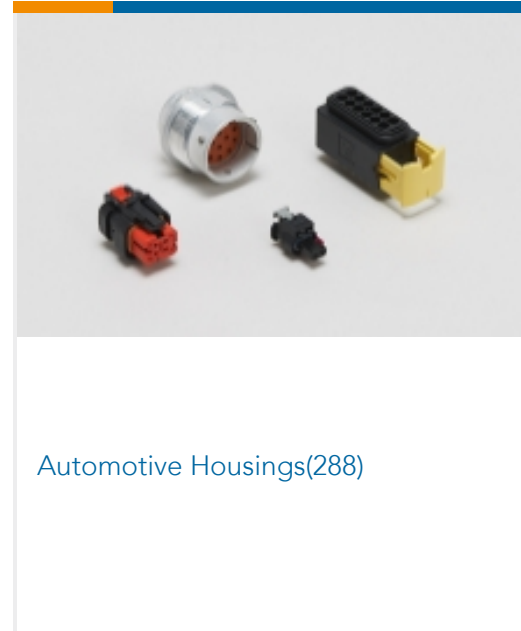
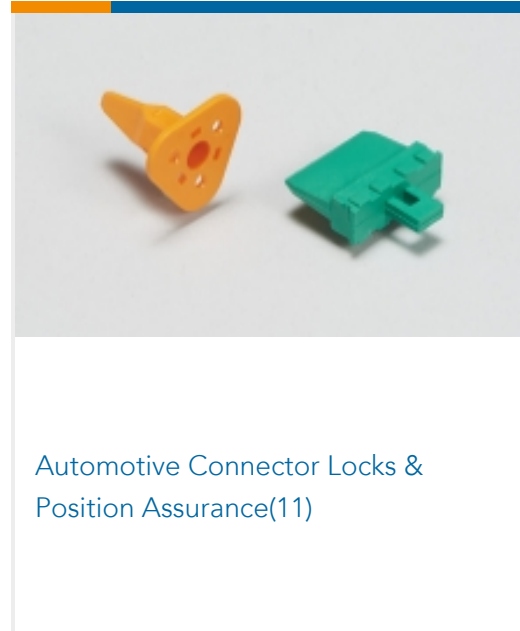
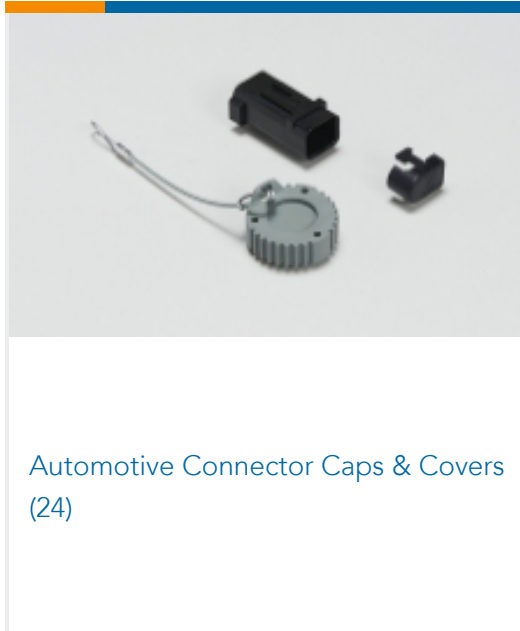
TE Part # 5-2151477-2  
OCEAN\_2.0\_APPLICATOR-S-055F125F



TE Part # 7-2151477-1  
OCEAN\_2.0\_APPLICATOR-S-055F125F

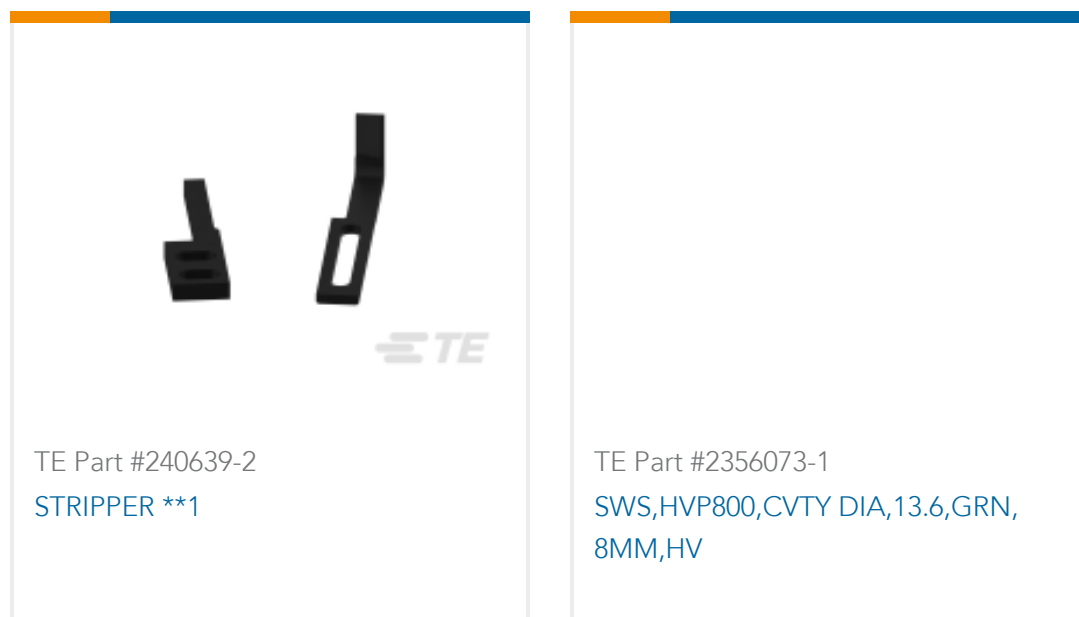


## Also in the Series | MCON Interconnection System



## Customers Also Bought





## Documents

### CAD Files

#### 3D PDF

3D

#### Customer View Model

[ENG\\_CVM\\_CVM\\_2141116-3\\_B.2d\\_dxf.zip](#)

English

#### Customer View Model

[ENG\\_CVM\\_CVM\\_2141116-3\\_B.3d\\_igs.zip](#)

English

#### Customer View Model

[ENG\\_CVM\\_CVM\\_2141116-3\\_B.3d\\_stp.zip](#)

English

By downloading the CAD file I accept and agree to the [Terms and Conditions](#) of use.

### Datasheets & Catalog Pages

#### MCON Interconnection System

English

### Product Specifications

#### Product Specification

English

### Product Environmental Compliance

#### Product Compliance

English

#### Product Compliance

English