

THIS DRAWING IS UNPUBLISHED.

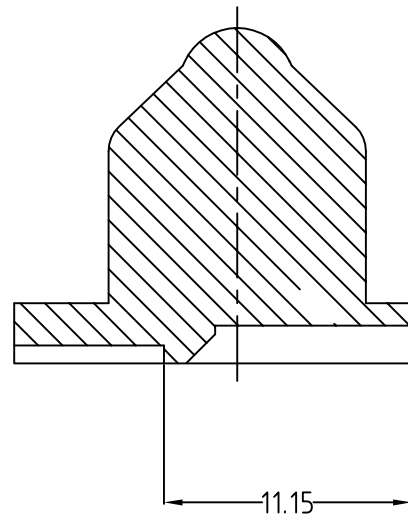
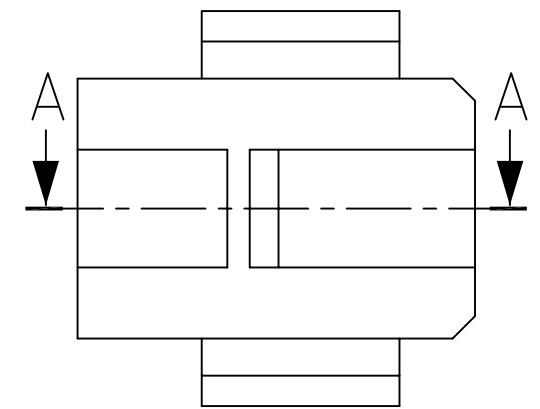
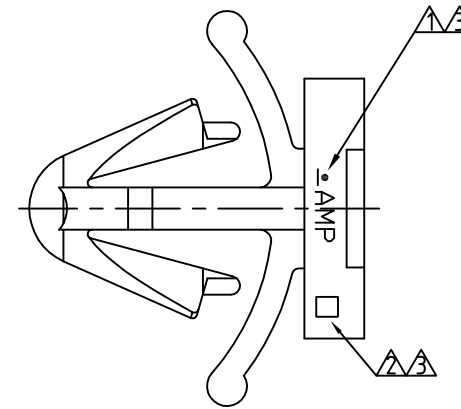
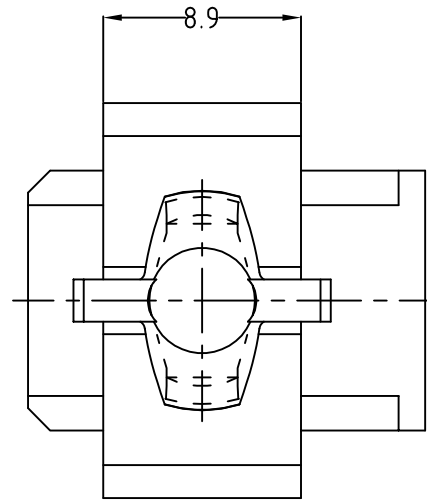
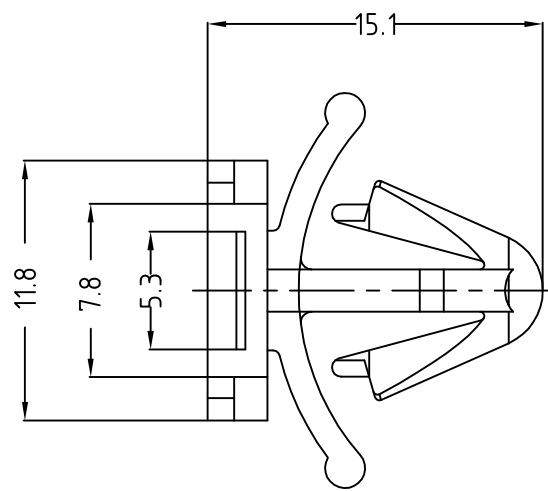
RELEASED FOR PUBLICATION ,1997 .

© COPYRIGHT 1997

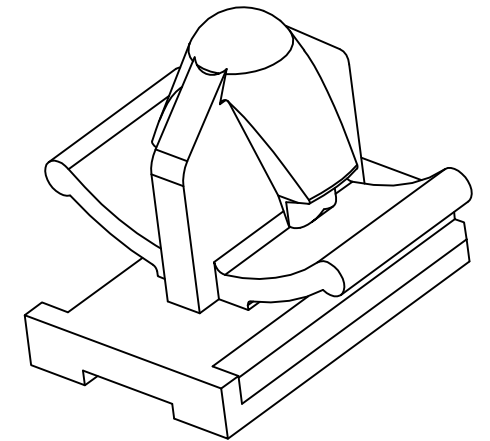
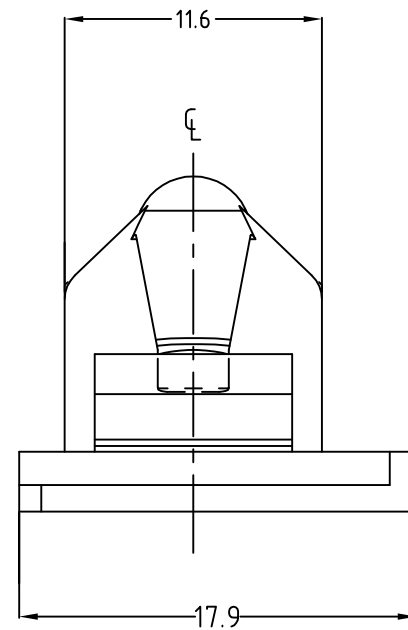
BY AMP INCORPORATED.

ALL RIGHTS RESERVED.

LOC	DIST	REVISIONS			
P	LTR	DESCRIPTION	DATE	DWN	APVD
DS	-	A	REVISED (ECR-13-008671)	27,MAY,13	JM HG



A - A

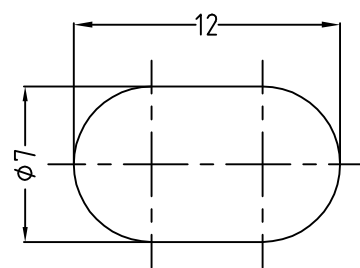


NOTE.

- ▲ tyco/AMP TRADE MARK MUST BE CLEAR AND LEGIBLE. ACC TO P/N 994860.
- ▲ CAVITY MARK
- ▲ CHARACTERS 1.5 HEIGHT AND 0.5 RAISED INSIDE 0.5mm

368270-2	BLACK	↓
368270-1	NATURAL	PA 66
PART NO.	COLOR	MATERIAL

PANEL HOLE SIZE



PANEL THICKNESS : 1.7 - 2.6mm

THIS DRAWING IS CONTROLLED DOCUMENT FOR AMP INCORPORATED. IT IS SUBJECT TO CHANGE AND THE CONTROLLING ENGINEERING ORGANIZATION SHOULD BE CONTACTED FOR THE LATEST REVISION.		DWN JM JEON			
		CHK JW JUNG			
DIMENSIONS: MM	TOLERANCES UNLESS OTHERWISE SPECIFIED: 0 <XX<10 ± 0.2 10 <XX<30 ± 0.25 30 <XX ± 0.3 ANGLES ± 3°	APVD HG CHO	NAME CLIP FOR 090III CONNECTOR (SLOT HOLE φ7)		
3rd ANGLE PROJECTION		PRODUCT SPEC ---	SIZE A3	CAGE CODE 00779	DRAWING NO 368270
MATERIAL SEE TABLE		FINISH	WEIGHT ---	SCALE 3:1	SHEET 1 OF 1
				REV A	