

280073 ✓ ACTIVE

FASTIN-FASTON | FASTIN-FASTON 375

TE Internal #: 280073

Crimp Terminal Housings, Receptacle, Receptacle, 4 Position, Straight, Natural, Polyamide, Contact Mating Retention, FASTIN-FASTON 375

[View on TE.com >](#)



Terminals & Splices > Terminal Housings, Insulation Sleeves & Blocks > Crimp Terminal Housings



Terminal Type: **Receptacle**

Housing Type: **Receptacle**

Number of Positions: **4**

Terminal Orientation: **Straight**

Primary Product Color: **Natural**

Features

Product Type Features

Terminates To	Wire & Cable
Product Type	Terminal Housing
Sealable	No
Housing Type	Receptacle
Insulated	No

Configuration Features

Number of Positions	4
---------------------	---

Body Features

Primary Product Color	Natural
-----------------------	---------

Contact Features

Terminal Type	Receptacle
Terminal Orientation	Straight
Contact Mating Retention	With

Mechanical Attachment

Mating Alignment	With
Crimp Terminal Housing Mounting Style	Cable Mount (Free-Hanging)

Housing Features

Housing Material	Polyamide
------------------	-----------

Dimensions

Length	34.5 mm[1.36 in]
--------	------------------

Usage Conditions

Operating Temperature Range	-40 – 105 °C[-40 – 221 °F]
-----------------------------	----------------------------

Packaging Features

Packaging Quantity	450
Packaging Method	Carton

Product Compliance

[For compliance documentation, visit the product page on TE.com>](#)

EU RoHS Directive 2011/65/EU	Compliant
EU ELV Directive 2000/53/EC	Compliant
China RoHS 2 Directive MIIT Order No 32, 2016	No Restricted Materials Above Threshold
EU REACH Regulation (EC) No. 1907/2006	Current ECHA Candidate List: JAN 2022 (223) Candidate List Declared Against: JAN 2022 (223) Does not contain REACH SVHC
Halogen Content	Low Halogen - Br, Cl, F, I < 900 ppm per homogenous material. Also BFR/CFR/PVC Free
Solder Process Capability	Not applicable for solder process capability

Product Compliance Disclaimer

This information is provided based on reasonable inquiry of our suppliers and represents our current actual knowledge based on the information they provided. This information is subject to change. The part numbers that TE has identified as EU RoHS compliant have a maximum concentration of 0.1% by weight in homogenous materials for lead, hexavalent chromium, mercury, PBB, PBDE, DBP, BBP, DEHP, DIBP, and 0.01% for cadmium, or qualify for an exemption to these limits as defined in the Annexes of Directive 2011/65/EU (RoHS2). Finished electrical and electronic equipment products will be CE marked as required by Directive 2011/65/EU. Components may not be CE marked. Additionally, the part numbers that TE has identified as EU ELV compliant have a maximum concentration of 0.1% by weight in homogenous materials for lead, hexavalent chromium, and mercury, and 0.01% for cadmium, or qualify for an exemption to these limits as defined in the Annexes of Directive 2000/53/EC (ELV). Regarding the REACH Regulation, the information TE provides on SVHC in articles for this part number is based on the latest European Chemicals Agency (ECHA) 'Guidance on requirements for substances in articles' posted at this URL: <https://echa.europa.eu/guidance-documents/guidance-on-reach>

Compatible Parts



TE Part # 925475-1
FF 110 REC HSG 3P NYLON NAT

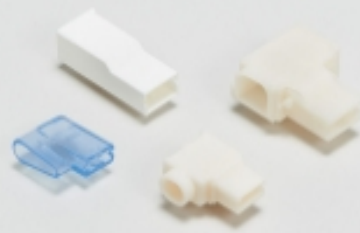


TE Part # 281091-2
FF 375 REC 6-10MM2 TPBR




TE Part # 520947-1
FF 250/375 REC HSG 4P SECONDARY LOCK


Also in the Series | FASTIN-FASTON 375



Crimp Terminal Housings(9)

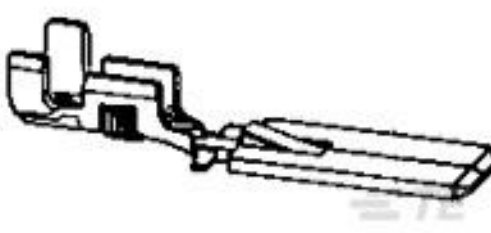


Insertion & Extraction Tools(1)



Quick Disconnects(20)

Customers Also Bought



TE Part #280074-2
FF 375 TAB 6-10MM2 PTBR



TE Part #281091-2
FF 375 REC 6-10MM2 TPBR



TE Part #1-967242-1
JPT GEH KPL 16P



TE Part #1-967630-1
FLA STEGEHZ




TE Part #1-967630-3
FLACHSTE-GEH2,8 21P



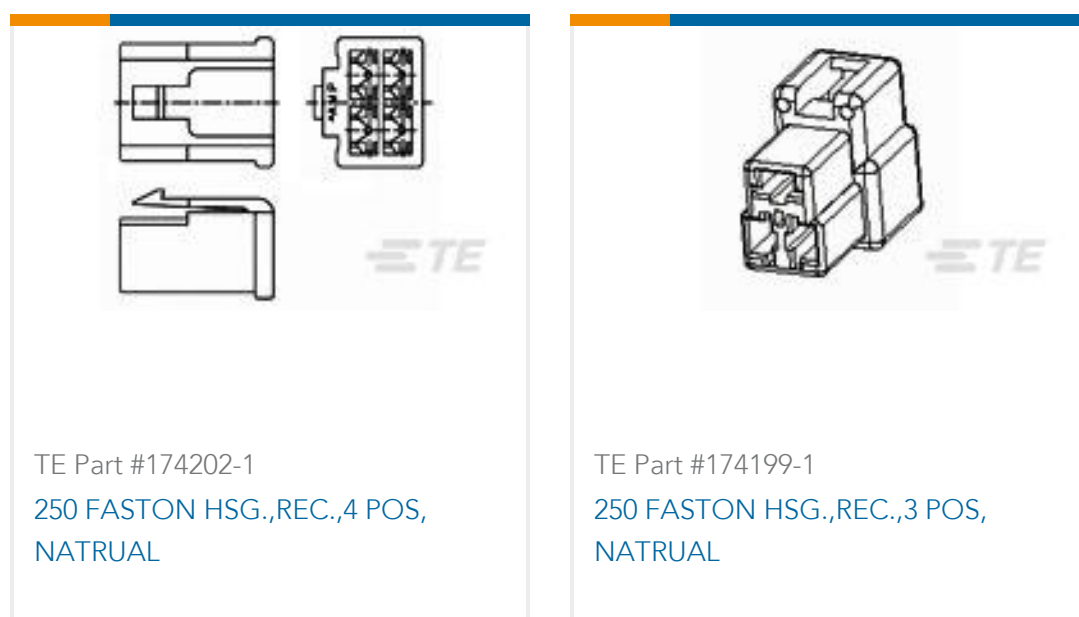
TE Part #174200-1
250 FASTON HSG.,REC.,3 POS, NATRUAL



TE Part #1544316-2
JOINT ORANGE G3



TE Part #172507-1
MIC CAP HSG 11P MK II



Documents

Product Drawings

[FF 375 REC HSG 4P NYLON NAT](#)

English

CAD Files

[3D PDF](#)

3D

[Customer View Model](#)

[ENG_CVM_CVM_280073_H_c-280073-h.2d_dxf.zip](#)

English

[Customer View Model](#)

[ENG_CVM_CVM_280073_H_c-280073-h.3d_igs.zip](#)

English

[Customer View Model](#)

[ENG_CVM_CVM_280073_H_c-280073-h.3d_stp.zip](#)

English

By downloading the CAD file I accept and agree to the [Terms and Conditions](#) of use.

Datasheets & Catalog Pages

[White Paper: Nylon Discoloration](#)

English

Product Specifications

[Application Specification](#)

English