



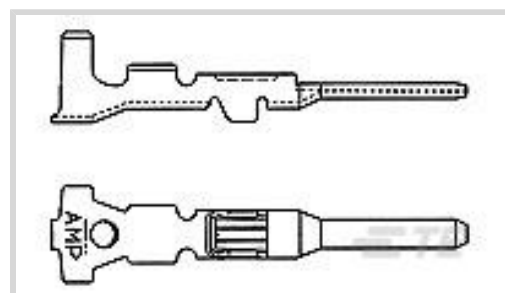
AMP | AMP Superseal 1.5mm Series

TE Internal #: 282109-1

Automotive Terminals, Tab, Mating Tab Width 1.5 mm [.059 in], Tab Thickness .031 in [.8 mm], 18 – 15 AWG Wire Size, AMP Superseal 1.5mm Series

[View on TE.com >](#)

Terminals & Splices > Automotive Terminals > AMP SUPERSEAL 1.5MM, RECEPTACLE AND TAB



Terminal Type: **Tab**

Mating Tab Width: **1.5 mm [.059 in]**

Mating Tab Thickness: **.8 mm [.031 in]**

Terminal Transmits: **0 – 24 A (Low Power)**

Wire Size: **18 – 15 AWG**

[All AMP SUPERSEAL 1.5MM, RECEPTACLE AND TAB \(15\)](#)

## Features

### Product Type Features

Sealable	Yes
Primary Locking Feature	Clean Body

### Body Features

Terminal Seal Type	Single Wire Seal (SWS)
--------------------	------------------------

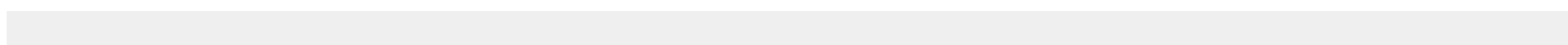
### Contact Features

Typical Current Rating	14 A
Crimp Type	F-Crimp
Terminal Type	Tab
Mating Tab Width	1.5 mm[.059 in]
Mating Tab Thickness	.8 mm[.031 in]
Interface Plating	Tin (Sn)
Contact Termination Area Plating Material	Tin (Sn)

### Termination Features

Termination Method to Wire & Cable	Crimp
Product Terminates To	Wire

### Dimensions





Wire Size	.75 – 1.5 mm <sup>2</sup>
Wire Size Search	15 AWG, 16 AWG, 17 AWG, 18 AWG
Wire Insulation Diameter	1.7 – 2.4 mm [.071 – .13 in]

### Usage Conditions

Insulation Option	Uninsulated
Operating Temperature (Max)	80 °C, 85 °C, 90 °C, 100 °C, 105 °C, 110 °C, 120 °C, 125 °C [176 °F][185 °F][194 °F][212 °F][221 °F][230 °F][248 °F][257 °F]
Operating Temperature Range	-40 – 125 °C [-40 – 257 °F]

### Operation/Application

Compatible With Wire Base Material	Copper
------------------------------------	--------

### Packaging Features

Packaging Method	Reel
Packaging Quantity	4000

### Other

Terminal Transmits	0 – 24 A (Low Power)
--------------------	----------------------

## Product Compliance

[For compliance documentation, visit the product page on TE.com>](#)

EU RoHS Directive 2011/65/EU	Compliant
EU ELV Directive 2000/53/EC	Compliant
China RoHS 2 Directive MIIT Order No 32, 2016	No Restricted Materials Above Threshold
EU REACH Regulation (EC) No. 1907/2006	Current ECHA Candidate List: JAN 2022 (223) Candidate List Declared Against: JAN 2022 (223) Does not contain REACH SVHC
Halogen Content	Low Halogen - Br, Cl, F, I < 900 ppm per homogenous material. Also BFR/CFR/PVC Free
Solder Process Capability	Not applicable for solder process capability

#### Product Compliance Disclaimer

This information is provided based on reasonable inquiry of our suppliers and represents our current actual knowledge based on the information they provided. This information is subject to change. The part numbers that TE has identified as EU RoHS compliant have a maximum concentration of 0.1% by weight in homogenous materials for lead, hexavalent chromium, mercury, PBB, PBDE, DBP, BBP, DEHP, DIBP, and 0.01% for cadmium, or qualify for an exemption to these limits as defined in the Annexes of Directive 2011/65/EU (RoHS2). Finished electrical and electronic equipment products

will be CE marked as required by Directive 2011/65/EU. Components may not be CE marked. Additionally, the part numbers that TE has identified as EU ELV compliant have a maximum concentration of 0.1% by weight in homogenous materials for lead, hexavalent chromium, and mercury, and 0.01% for cadmium, or qualify for an exemption to these limits as defined in the Annexes of Directive 2000/53/EC (ELV). Regarding the REACH Regulation, the information TE provides on SVHC in articles for this part number is based on the latest European Chemicals Agency (ECHA) 'Guidance on requirements for substances in articles' posted at this URL: <https://echa.europa.eu/guidance-documents/guidance-on-reach>

## Compatible Parts



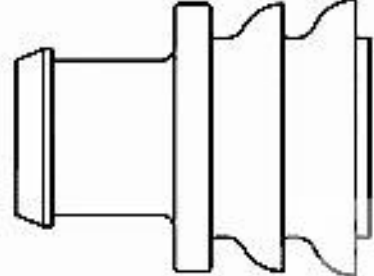
TE Part # 785084-1  
EXT TOOL SOC-LOC TAB 1.5 CONN



TE Part # 58583-1  
PROCRIMP HT&D SUPRSEAL 1.5 SER



TE Part # 9-1579007-1  
EXTRACTION TOOL



TE Part # 282081-1  
RUBBER PLUG



TE Part # 281934-2  
SINGLE WIRE SEAL



TE Part # 58583-2  
PROCRIMP DIE SUPERSEAL 1.5 SER



TE Part # 2305570-1  
TERMINAL CUTTER, SIDE FEED



TE Part # CAT-AM71-T273  
AMP SUPERSEAL 1.5MM, RECEPTACLE AND TAB



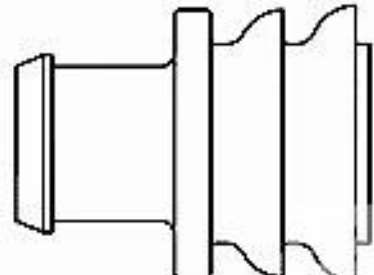
TE Part # CAT-AM71-CH8172  
AMP SUPERSEAL 1.5MM, CONNECTOR HOUSING



TE Part # 2151204-1  
OCEAN-2.0-APPLICATOR-S-090F145O



TE Part # 1745099-1  
AMP SUPERSEAL 1,5 SRS. 2 POS. TAB ASS'Y



TE Part # 281934-3  
SINGLE WIRE SEAL



TE Part # 2-2151204-1  
OCEAN-2.0-APPLICATOR-S-090F145O



TE Part # 2-2151204-2  
OCEAN-2.0-APPLICATOR-S-090F145O



TE Part # 2151204-2  
OCEAN-2.0-APPLICATOR-S-090F145O



TE Part # 5-2151204-1  
OCEAN-2.0-APPLICATOR-S-090F145O




TE Part # 5-2151204-2  
OCEAN-2.0-APPLICATOR-S-090F1450



TE Part # 7-2151204-1  
OCEAN-2.0-APPLICATOR-S-090F1450




TE Part # 7-2151204-2  
OCEAN-2.0-APPLICATOR-S-090F1450




**KIT**  
REPRESENTATION ONLY  
TE Part # 7-2151204-7  
OCEAN\_2.0\_SPARE\_PART\_KIT-090F1450

Also in the Series | AMP Superseal 1.5mm Series




Automotive Connector Caps & Covers (2)




Automotive Housings(26)




Automotive Seals & Cavity Plugs(4)



Automotive Terminals(15)



Insertion & Extraction Tools(4)



Other Automotive Connector Accessories(2)


Customers Also Bought




TE Part #282108-1  
AMP SUPERSEAL 1.5MM,  
CONNECTOR HOUSING



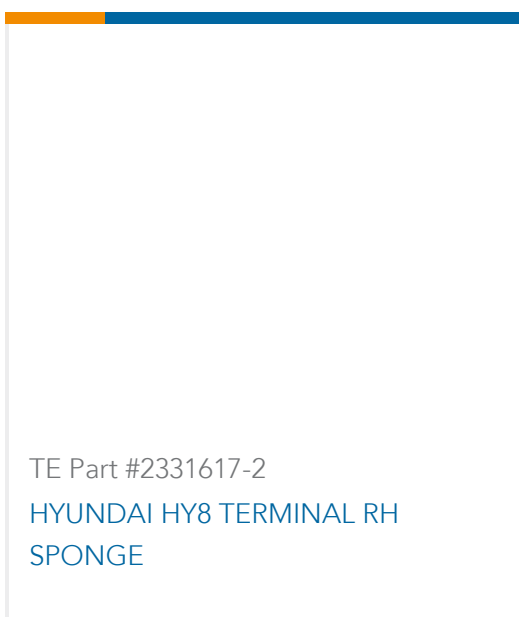
TE Part #5-1633620-9  
ANVIL COMBINATION



TE Part #1-509149-0  
INSERTION HEAD KOMAX 145/700 /752



TE Part #2331617-1  
HYUNDAI HY8 TERMINAL LH  
SPONGE



TE Part #2331617-2  
HYUNDAI HY8 TERMINAL RH  
SPONGE



## Documents

### Product Drawings

#### MINI MIC TAB CONTACT

English

---

### CAD Files

#### 3D PDF

3D

#### Customer View Model

[ENG\\_CVM\\_CVM\\_282109-1\\_E.2d\\_dxf.zip](#)

English

#### Customer View Model

[ENG\\_CVM\\_CVM\\_282109-1\\_E.3d\\_igs.zip](#)

English

#### Customer View Model

[ENG\\_CVM\\_CVM\\_282109-1\\_E.3d\\_stp.zip](#)

English

By downloading the CAD file I accept and agree to the [Terms and Conditions](#) of use.

---

### Datasheets & Catalog Pages

#### AMP SUPERSEAL 1.5mm Connector System

English

#### ICT Terminals and Connectors Catalogue

English

---

### Product Specifications

#### Application Specification

English

---

### Product Environmental Compliance

[MD\\_282109-1\\_06012018242\\_dmtec](#)

English

[MD\\_282109-1\\_06012018242\\_dmtec](#)

English

---

### Instruction Sheets

#### Hand application tool P/N 785353-1

English

#### Instruction Sheet (non U.S.)

English