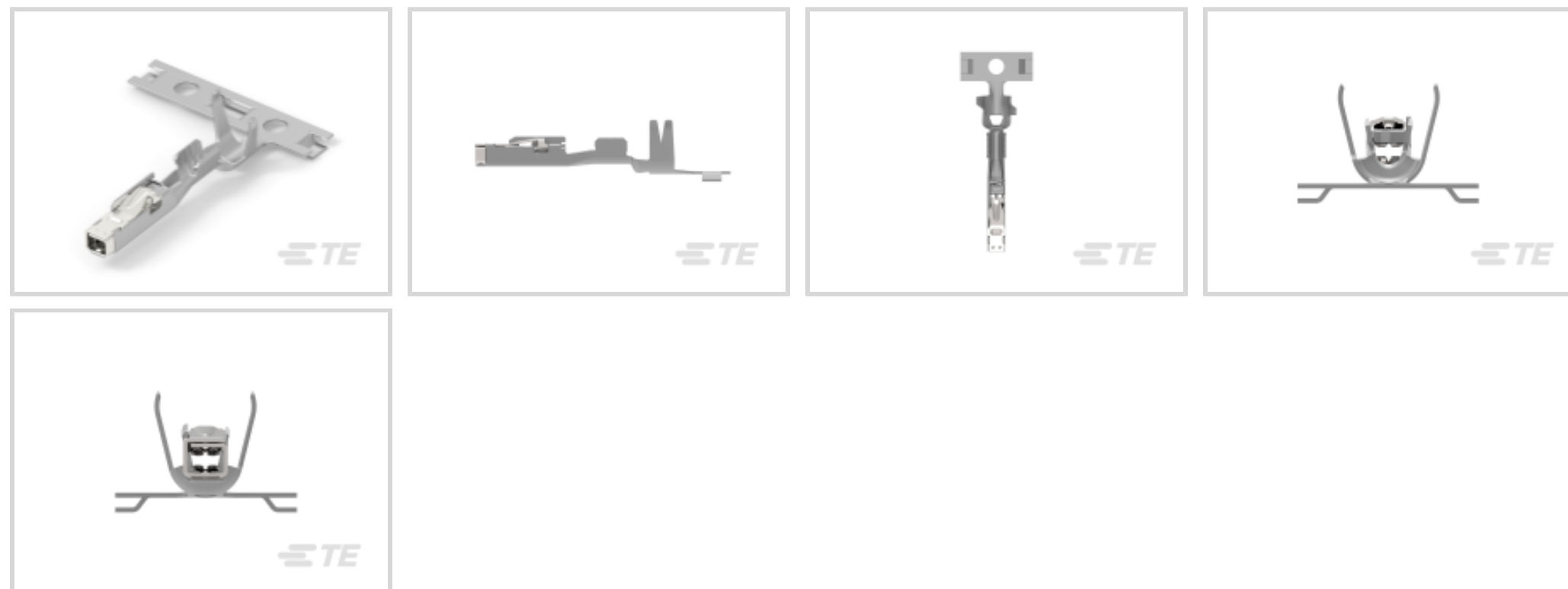




Terminals & Splices > Automotive Terminals > MCON, RECEPTACLE AND TAB



Terminal Type: **Receptacle**

Mating Tab Width: 1.2 mm [.047 in]

Mating Tab Thickness: .6 mm [.024 in]

Terminal Transmits: 0 – 24 A (Low Power)

Wire Size: 20 – 18 AWG

[All MCON, RECEPTACLE AND TAB \(103\)](#)

## Features

### Product Type Features

Receptacle Style	180°
Sealable	Yes
Primary Locking Feature	Locking Lance

### Body Features

Terminal Seal Type	Single Wire Seal (SWS)
--------------------	------------------------

### Contact Features

Typical Current Rating	16 A
Crimp Type	F-Crimp
Terminal Type	Receptacle
Mating Tab Width	1.2 mm [.047 in]
Mating Tab Thickness	.6 mm [.024 in]
Interface Plating	Silver (Ag)



Contact Termination Area Plating Material	Tin (Sn)
---	----------

### Termination Features

Termination Method to Wire & Cable	Crimp
Product Terminates To	Wire

### Dimensions

Wire Size	.5 – .75 mm <sup>2</sup>
Wire Size Search	18 AWG, 19 AWG, 20 AWG
Wire Insulation Diameter	1.3 – 1.9 mm [.051 – .074 in]

### Usage Conditions

Insulation Option	Uninsulated
Operating Temperature (Max)	80 °C, 85 °C, 90 °C, 100 °C, 105 °C, 110 °C, 120 °C, 125 °C, 130 °C, 140 °C, 145 °C, 150 °C [176 °F][185 °F][194 °F][212 °F][221 °F][230 °F][248 °F][257 °F][266 °F][284 °F][293 °F][302 °F]
Operating Temperature Range	-40 – 150 °C [-40 – 302 °F]

### Operation/Application

Compatible With Wire Base Material	Copper
------------------------------------	--------

### Industry Standards

Agency/Standard	LV214
-----------------	-------

### Packaging Features

Packaging Method	Reel
Packaging Quantity	6000

### Other

Terminal Transmits	0 – 24 A (Low Power)
--------------------	----------------------

### Product Compliance

[For compliance documentation, visit the product page on TE.com>](#)

EU RoHS Directive 2011/65/EU	Compliant
EU ELV Directive 2000/53/EC	Compliant
China RoHS 2 Directive MIIT Order No 32, 2016	No Restricted Materials Above Threshold
EU REACH Regulation (EC) No. 1907/2006	Current ECHA Candidate List: JAN 2022 (223)



Candidate List Declared Against: JAN 2022 (223)

Does not contain REACH SVHC

Halogen Content	Low Halogen - Br, Cl, F, I < 900 ppm per homogenous material. Also BFR/CFR/PVC Free
Solder Process Capability	Not reviewed for solder process capability

Product Compliance Disclaimer

This information is provided based on reasonable inquiry of our suppliers and represents our current actual knowledge based on the information they provided. This information is subject to change. The part numbers that TE has identified as EU RoHS compliant have a maximum concentration of 0.1% by weight in homogenous materials for lead, hexavalent chromium, mercury, PBB, PBDE, DBP, BBP, DEHP, DIBP, and 0.01% for cadmium, or qualify for an exemption to these limits as defined in the Annexes of Directive 2011/65/EU (RoHS2). Finished electrical and electronic equipment products will be CE marked as required by Directive 2011/65/EU. Components may not be CE marked. Additionally, the part numbers that TE has identified as EU ELV compliant have a maximum concentration of 0.1% by weight in homogenous materials for lead, hexavalent chromium, and mercury, and 0.01% for cadmium, or qualify for an exemption to these limits as defined in the Annexes of Directive 2000/53/EC (ELV). Regarding the REACH Regulation, the information TE provides on SVHC in articles for this part number is based on the latest European Chemicals Agency (ECHA) 'Guidance on requirements for substances in articles' posted at this URL: <https://echa.europa.eu/guidance-documents/guidance-on-reach>

## Compatible Parts



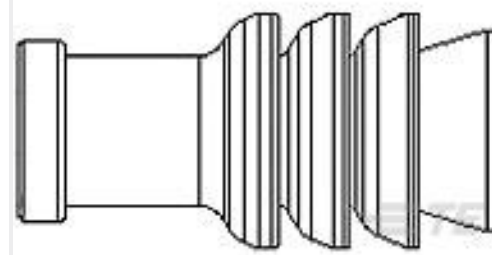
TE Part # CAT-M4595-CH8172  
MCON, CONNECTOR HOUSING



TE Part # 5-1579007-3  
EXTRACTION TOOL



TE Part # 964972-1  
EINZELLEITERDICHTUNG



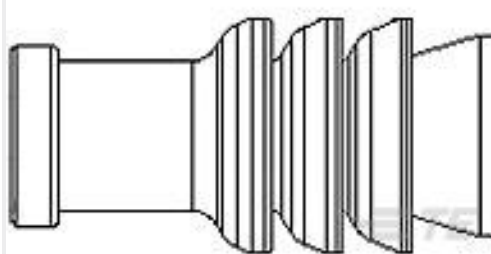
TE Part # 967067-2  
MQS EINZELLEITDICHT



TE Part # 2305570-1  
TERMINAL CUTTER, SIDE FEED



TE Part # 1718760-3  
MCON 1.2 LL TAB SWS AG










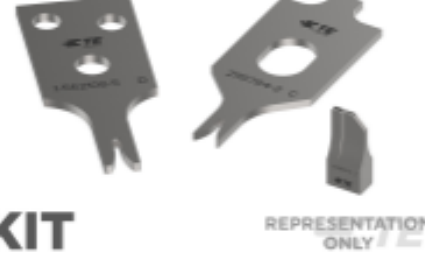
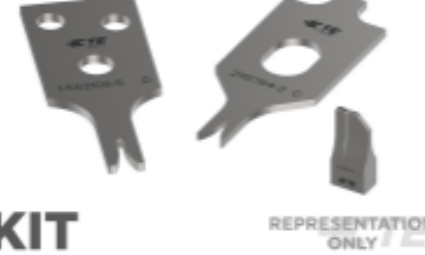



TE Part # 967067-1  
MQS SGL WIRE SEAL


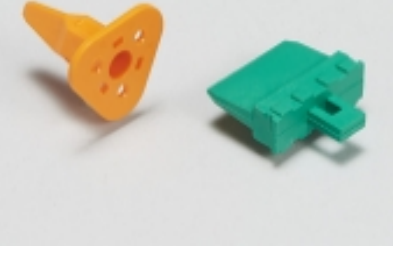


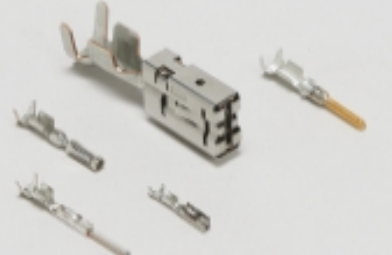


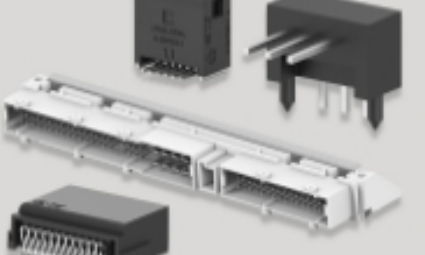


TE Part # 1-2321910-1  
HVA630 3P PLUG ASSY, UNSHIELD

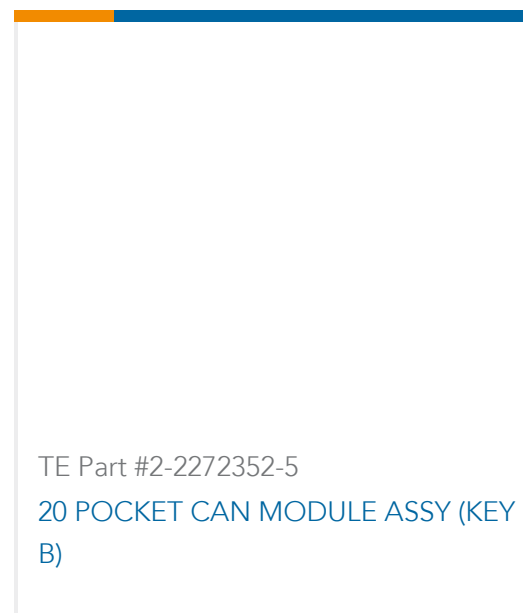
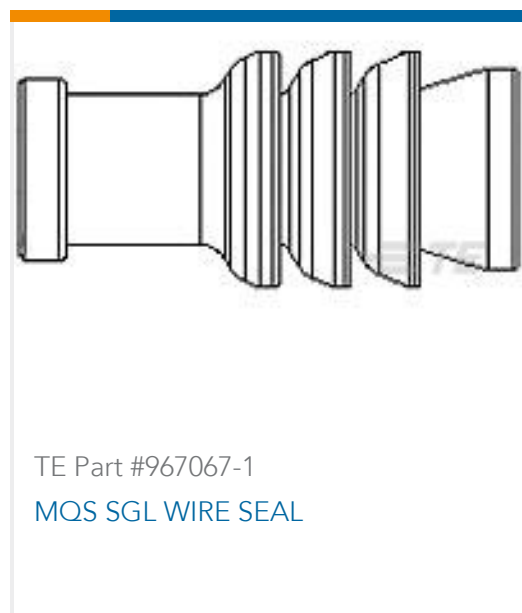
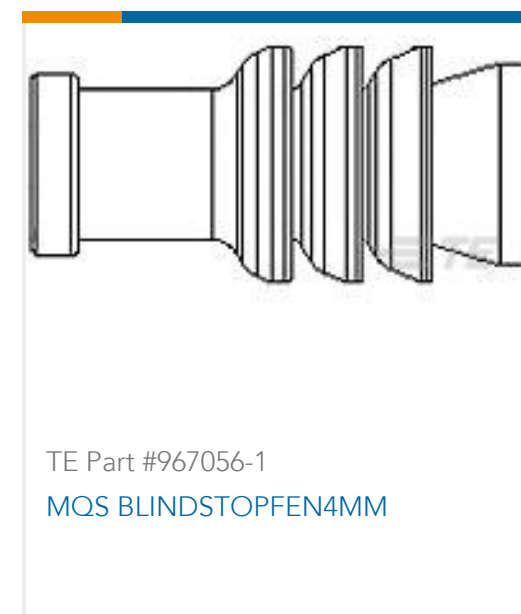


 <p>TE Part # 2-2151036-1 OCEAN_2.0_APPLICATION-S-055F125O</p>	 <p>TE Part # 2-2151036-2 OCEAN_2.0_APPLICATION-S-055F125O</p>	 <p>TE Part # 2151036-1 OCEAN_2.0_APPLICATION-S-055F125O</p>	 <p>TE Part # 2151036-2 OCEAN_2.0_APPLICATION-S-055F125O</p>
 <p>TE Part # 2321910-1 HVA630 3P PLUG ASSY, UNSHIELD</p>	 <p>TE Part # 5-2151036-1 OCEAN_2.0_APPLICATION-S-055F125O</p>	 <p>TE Part # 5-2151036-2 OCEAN_2.0_APPLICATION-S-055F125O</p>	 <p>TE Part # 7-2151036-1 OCEAN_2.0_APPLICATION-S-055F125O</p>
 <p>TE Part # 7-2151036-2 OCEAN_2.0_APPLICATION-S-055F125O</p>	 <p><b>KIT</b> REPRESENTATION ONLY TE Part # 7-2151036-7 OCEAN_2.0_SPARE_PART_KIT-055F072O</p>	 <p><b>KIT</b> REPRESENTATION ONLY TE Part # 7-2266333-7 OC-055F125O-752-CRIMPTOOLINGKIT</p>	 <p>TE Part # 4-1579001-6 ERGO DIE MCP 1,2 LL EDS</p>

Also in the Series | MCON Interconnection System

 <p>Automotive Connector Caps &amp; Covers (24)</p>	 <p>Automotive Connector Locks &amp; Position Assurance(11)</p>	 <p>Automotive Housings(288)</p>	 <p>Automotive Seals &amp; Cavity Plugs(4)</p>
 <p>Automotive Terminals(113)</p>	 <p>Insertion &amp; Extraction Tools(31)</p>	 <p>Other Automotive Connector Accessories(6)</p>	 <p>PCB Headers &amp; Receptacles(1)</p>

Customers Also Bought



## Documents

### Product Drawings

#### MCON 1.2 LL REC SWS AG

German

#### MCON 1.2 LL REC SWS AG

English

### CAD Files

#### 3D PDF

3D

#### Customer View Model

[ENG\\_CVM\\_CVM\\_7-1452668-3\\_A.2d\\_dxf.zip](#)

English

#### Customer View Model

[ENG\\_CVM\\_CVM\\_7-1452668-3\\_A.3d\\_igs.zip](#)

English

#### Customer View Model

[ENG\\_CVM\\_CVM\\_7-1452668-3\\_A.3d\\_stp.zip](#)

English

By downloading the CAD file I accept and agree to the [Terms and Conditions](#) of use.

### Datasheets & Catalog Pages

#### MCON Interconnection System

English

### Product Specifications

#### Application Specification

English



**Product Environmental Compliance**

[MD\\_7-1452668-3\\_05252018526\\_dmtec](#)

English

[MD\\_7-1452668-3\\_05252018526\\_dmtec](#)

English