

284159-3 ✓ ACTIVE

AMP | Multilock Connector System

TE Internal #: 284159-3

Housing for Female Terminals, Wire-to-Wire, 12 Position, .197 in / .138 in [3.5 mm / 5 mm] Centerline, Green, Signal, Multilock Connector System

[View on TE.com >](#)



Connectors > Automotive Connectors > Connector Housings > MULTILOCK, CONNECTOR HOUSING



Connector & Housing Type: **Housing for Female Terminals**

Mating Tab Width: **1.7 mm, 2.8 mm** [.067 in, .11 in]

Connector System: **Wire-to-Wire**

Number of Positions: **12**

Centerline (Pitch): **3.5 mm, 5 mm** [.138 in, .197 in]

[All MULTILOCK, CONNECTOR HOUSING \(576\)](#)

Features

Product Type Features

Connector & Housing Shape	Rectangular
Connector & Housing Type	Housing for Female Terminals
Connector System	Wire-to-Wire
Sealable	No
Hybrid Connector	Yes

Configuration Features

Number of Positions	12
Number of Rows	2

Electrical Characteristics

Operating Voltage	24 VDC
Nominal Voltage Architecture	12 V, 24 V

Body Features

Cable Exit Angle	180°
Body Material	PA GF
Primary Product Color	Green

Contact Features

--	--



Contact Size	1.8mm, 2.8mm
Contact Type	Receptacle
Mating Tab Width	1.7 mm, 2.8 mm [.067 in] [.11 in]

Mechanical Attachment

Mounting Feature	Without
Terminal Position Assurance	Yes
Strain Relief	Without
Mating Alignment Type	Polarized
Mating Alignment	With
Connector Mounting Type	Cable Mount (Free-Hanging)

Housing Features

Centerline (Pitch)	3.5 mm, 5 mm [.138 in] [.197 in]
--------------------	----------------------------------

Dimensions

Product Width	20.8 mm [.819 in]
Product Length	32.2 mm [1.268 in]
Product Height	23.2 mm [.913 in]
Row-to-Row Spacing	5.3 mm [.209 in]

Usage Conditions

Operating Temperature (Max)	70 °C, 75 °C, 80 °C, 85 °C [158 °F] [167 °F] [176 °F] [185 °F]
Operating Temperature Range	-30 – 85 °C [-22 – 185 °F]

Operation/Application

Circuit Application	Signal
---------------------	--------

Packaging Features

Packaging Quantity	1000
Packaging Method	Bag

Other

Serviceable	No
Connector Position Assurance Capable	No

Product Compliance

For compliance documentation, visit the product page on TE.com>



EU RoHS Directive 2011/65/EU	Compliant
EU ELV Directive 2000/53/EC	Compliant
China RoHS 2 Directive MIIT Order No 32, 2016	No Restricted Materials Above Threshold
EU REACH Regulation (EC) No. 1907/2006	Current ECHA Candidate List: JAN 2022 (223) Candidate List Declared Against: JAN 2022 (223) Does not contain REACH SVHC
Halogen Content	BFR/CFR/PVC Free, but Br/Cl >900 ppm in other sources.
Solder Process Capability	Not applicable for solder process capability

Product Compliance Disclaimer

This information is provided based on reasonable inquiry of our suppliers and represents our current actual knowledge based on the information they provided. This information is subject to change. The part numbers that TE has identified as EU RoHS compliant have a maximum concentration of 0.1% by weight in homogenous materials for lead, hexavalent chromium, mercury, PBB, PBDE, DBP, BBP, DEHP, DIBP, and 0.01% for cadmium, or qualify for an exemption to these limits as defined in the Annexes of Directive 2011/65/EU (RoHS2). Finished electrical and electronic equipment products will be CE marked as required by Directive 2011/65/EU. Components may not be CE marked. Additionally, the part numbers that TE has identified as EU ELV compliant have a maximum concentration of 0.1% by weight in homogenous materials for lead, hexavalent chromium, and mercury, and 0.01% for cadmium, or qualify for an exemption to these limits as defined in the Annexes of Directive 2000/53/EC (ELV). Regarding the REACH Regulation, the information TE provides on SVHC in articles for this part number is based on the latest European Chemicals Agency (ECHA) 'Guidance on requirements for substances in articles' posted at this URL: <https://echa.europa.eu/guidance-documents/guidance-on-reach>

Compatible Parts



TE Part # CAT-M9194-T273
MULTILOCK, RECEPTACLE AND TAB




TE Part # CAT-T4827-T273
TIMER, RECEPTACLE AND TAB




TE Part # 284162-3
6+6 POS. REC HSG & SEC LOCK KI

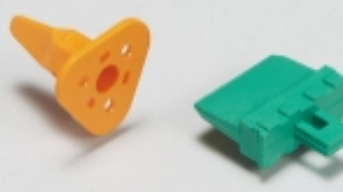
Also in the Series | Multilock Connector System




Automotive Connector Caps & Covers (16)



Automotive Connector EMC Shielding (1)



Automotive Connector Locks & Position Assurance(2)



Automotive Housings(575)



Automotive Seals & Cavity Plugs(2)



Automotive Terminals(141)



Insertion & Extraction Tools(6)

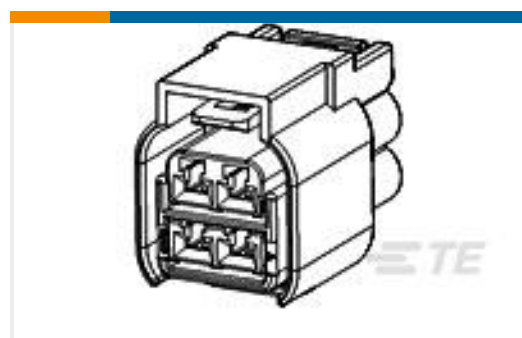
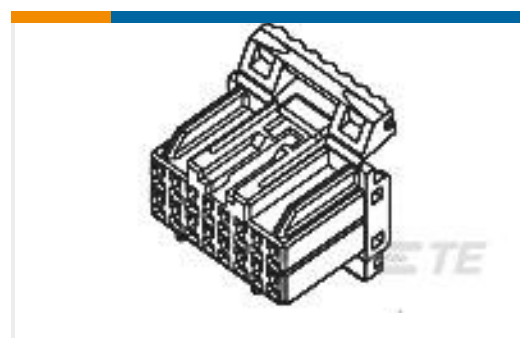
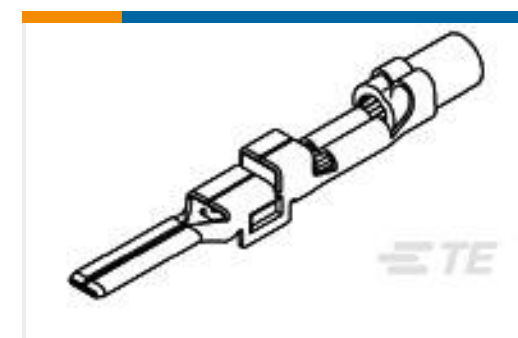
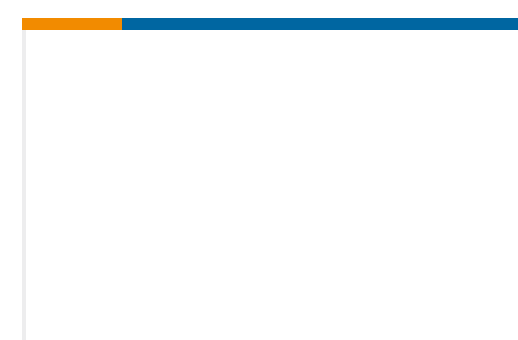


Other Automotive Connector Accessories(9)



PCB Headers & Receptacles(129)

Customers Also Bought

TE Part #936254-2
MCP-E SLD 4P PLUG ASSY BLKTE Part #368135-1
040/070 HYB 22P PLUG HSGTE Part #368000-1
TIMER, CONNECTOR HOUSINGTE Part #368087-1
090II NON SLD TAB(SQ0.85-1.25)TE Part #2-2311123-1
REC CONN CVR,48POS,MCON 1.2,45 DEGTE Part #1823393-2
COVER,90,1KS LEFT,ASSYTE Part #1897538-1
187 FASTON REC CONTTE Part #2296355-2
CE-BOX ASSY, FOTON H3

Documents

Product Drawings

[6+6 POS. REC HSG & SEC LOCK KI](#)

English

CAD Files

[Customer View Model](#)

[ENG_CVM_CVM_284159-3_C.2d_dxf.zip](#)

English

[3D PDF](#)



3D

Customer View Model

[ENG_CVM_CVM_284159-3_C.3d_igs.zip](#)

English

Customer View Model

[ENG_CVM_CVM_284159-3_C.3d_stp.zip](#)

English

By downloading the CAD file I accept and agree to the [Terms and Conditions](#) of use.

Datasheets & Catalog Pages

[MULTILOCK Connector System](#)

English

Product Specifications

[Product Specification](#)

English

[6+6 POS. HEADER AND CONNECTOR FOR STEERING COLUMN DEVICE](#)

English