

345484-1 ✓ ACTIVE

AMP | Multilock .040, Multilock .070, Multilock Connector System

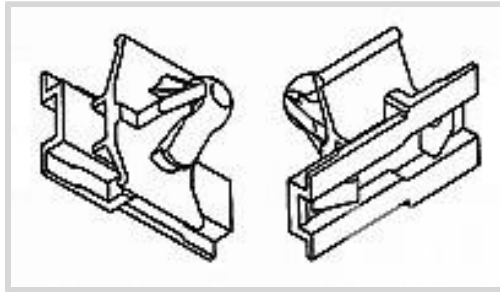
TE Internal #: 345484-1

Other Automotive Connector Accessories, Mounting Clips, Wire-to-Board / Wire-to-Wire, PA, Natural, -40 – 120 °C [-40 – 248 °F], Multilock .040

[View on TE.com >](#)



[Connectors](#) > [Automotive Connectors](#) > [Connector Accessories](#) > [Other Connector Accessories](#)



Automotive Connector Accessory Type: **Mounting Clips**

Connector System: **Wire-to-Board, Wire-to-Wire**

Primary Product Material: **PA**

Primary Product Color: **Natural**

Operating Temperature Range: **-40 – 120 °C [-40 – 248 °F]**

## Features

### Product Type Features

Automotive Connector Accessory Type	Mounting Clips
Connector System	Wire-to-Board, Wire-to-Wire

### Body Features

Primary Product Material	PA
Primary Product Color	Natural

### Usage Conditions

Operating Temperature Range	-40 – 120 °C[-40 – 248 °F]
-----------------------------	----------------------------

### Industry Standards

UL Flammability Rating	UL 94HB
------------------------	---------

### Packaging Features

Packaging Quantity	1500
Packaging Method	Bag

### Other

Serviceable	Yes
-------------	-----

## Product Compliance

[For compliance documentation, visit the product page on TE.com>](#)



EU RoHS Directive 2011/65/EU	Compliant
EU ELV Directive 2000/53/EC	Compliant
China RoHS 2 Directive MIIT Order No 32, 2016	No Restricted Materials Above Threshold
EU REACH Regulation (EC) No. 1907/2006	Current ECHA Candidate List: JAN 2022 (223) Candidate List Declared Against: JAN 2022 (223) Does not contain REACH SVHC
Halogen Content	Low Halogen - Br, Cl, F, I < 900 ppm per homogenous material. Also BFR/CFR/PVC Free
Solder Process Capability	Not applicable for solder process capability

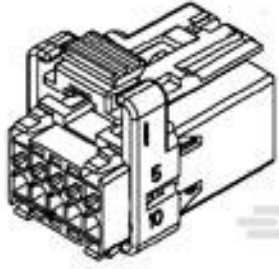
Product Compliance Disclaimer

This information is provided based on reasonable inquiry of our suppliers and represents our current actual knowledge based on the information they provided. This information is subject to change. The part numbers that TE has identified as EU RoHS compliant have a maximum concentration of 0.1% by weight in homogenous materials for lead, hexavalent chromium, mercury, PBB, PBDE, DBP, BBP, DEHP, DIBP, and 0.01% for cadmium, or qualify for an exemption to these limits as defined in the Annexes of Directive 2011/65/EU (RoHS2). Finished electrical and electronic equipment products will be CE marked as required by Directive 2011/65/EU. Components may not be CE marked. Additionally, the part numbers that TE has identified as EU ELV compliant have a maximum concentration of 0.1% by weight in homogenous materials for lead, hexavalent chromium, and mercury, and 0.01% for cadmium, or qualify for an exemption to these limits as defined in the Annexes of Directive 2000/53/EC (ELV). Regarding the REACH Regulation, the information TE provides on SVHC in articles for this part number is based on the latest European Chemicals Agency (ECHA) 'Guidance on requirements for substances in articles' posted at this URL: <https://echa.europa.eu/guidance-documents/guidance-on-reach>

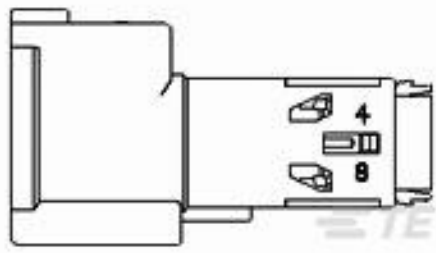
### Compatible Parts



TE Part # CAT-M9194-CH8172  
MULTILOCK, CONNECTOR HOUSING



TE Part # 638392-1  
.64MM PLUG ASSY, KEY A, W/O CPA



TE Part # 638379-3  
.64MM 2X4 CAP ASSY, KEY C

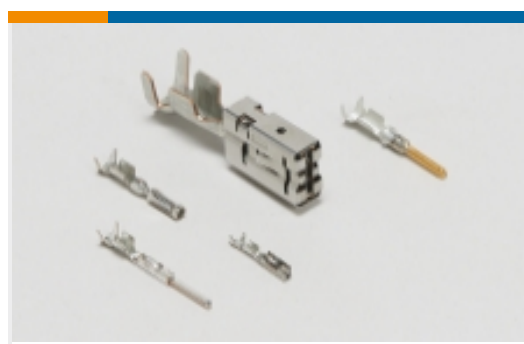


TE Part # 348794-1  
SHORTING CON TAB HSG YELLO

Also in the Series | [Multilock .040](#)



Automotive Connector Caps & Covers (3)



Automotive Terminals(1)



Insertion & Extraction Tools(1)



Other Automotive Connector Accessories(2)

### Also in the Series | **Multilock .070**



Automotive Connector Caps & Covers (3)



Other Automotive Connector Accessories(2)

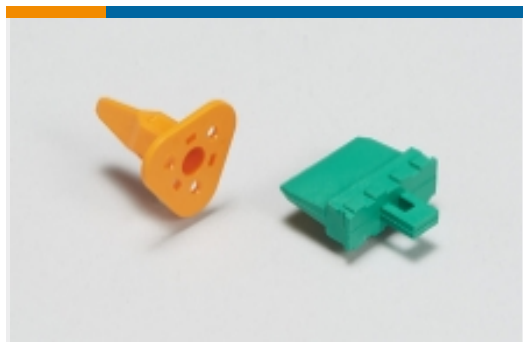
### Also in the Series | **Multilock Connector System**



Automotive Connector Caps & Covers (16)



Automotive Connector EMC Shielding (1)



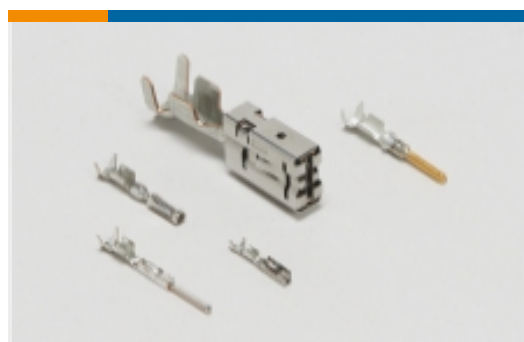
Automotive Connector Locks & Position Assurance(2)



Automotive Housings(575)



Automotive Seals & Cavity Plugs(2)



Automotive Terminals(141)



Insertion & Extraction Tools(6)

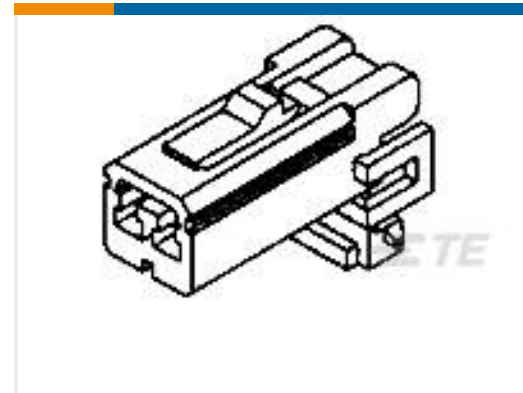
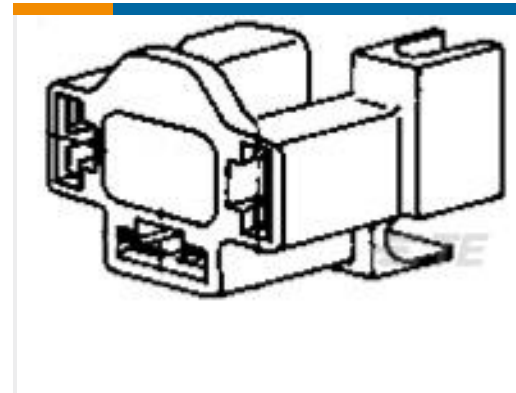
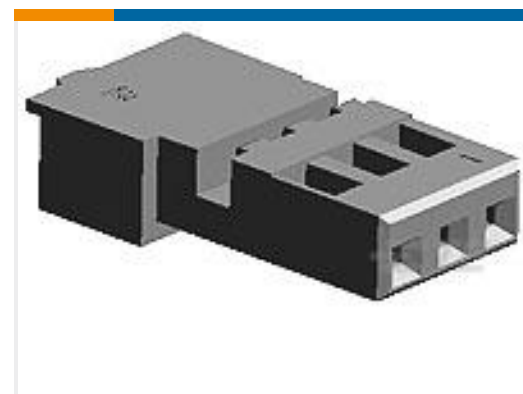
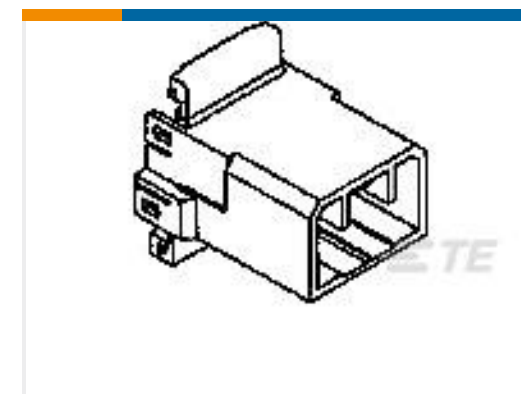
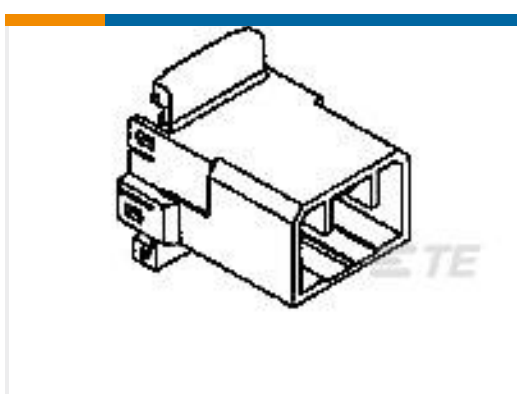


Other Automotive Connector Accessories(9)



PCB Headers &amp; Receptacles(129)

## Customers Also Bought

TE Part #1658544-2  
PIN CONT DUPL PLT STRIP HD-20TE Part #174463-1  
070 MULTILOCK 2P PTE Part #180913  
FF 250 REC HSG 3P NYLON NATTE Part #3-967325-3  
2,5MM BU-GEH 2P,GNTE Part #1924968-2  
Contact, male 0.64, 18 AWGTE Part #185309-1  
PLUG HOUSING 3W MOSTE Part #CH03606001  
QSZH-125-NR3-50MMTE Part #174934-1  
070 MLC W-W CAP HSG 14PTE Part #175657-1  
070 MLC W-W CAP HSG 6P

## Documents

### Product Drawings

#### DUAL PURPOSE BODY CLIP

English

### CAD Files

#### Customer View Model

[ENG\\_CVM\\_345484-1\\_B.3d\\_igs.zip](#)

English

#### Customer View Model



[ENG\\_CVM\\_345484-1\\_B.3d\\_stp.zip](#)

English

**Customer View Model**

[ENG\\_CVM\\_345484-1\\_B.2d\\_dxf.zip](#)

English

**3D PDF**

English

By downloading the CAD file I accept and agree to the [Terms and Conditions](#) of use.

### **Instruction Sheets**

[Instruction Sheet \(U.S.\)](#)

English