



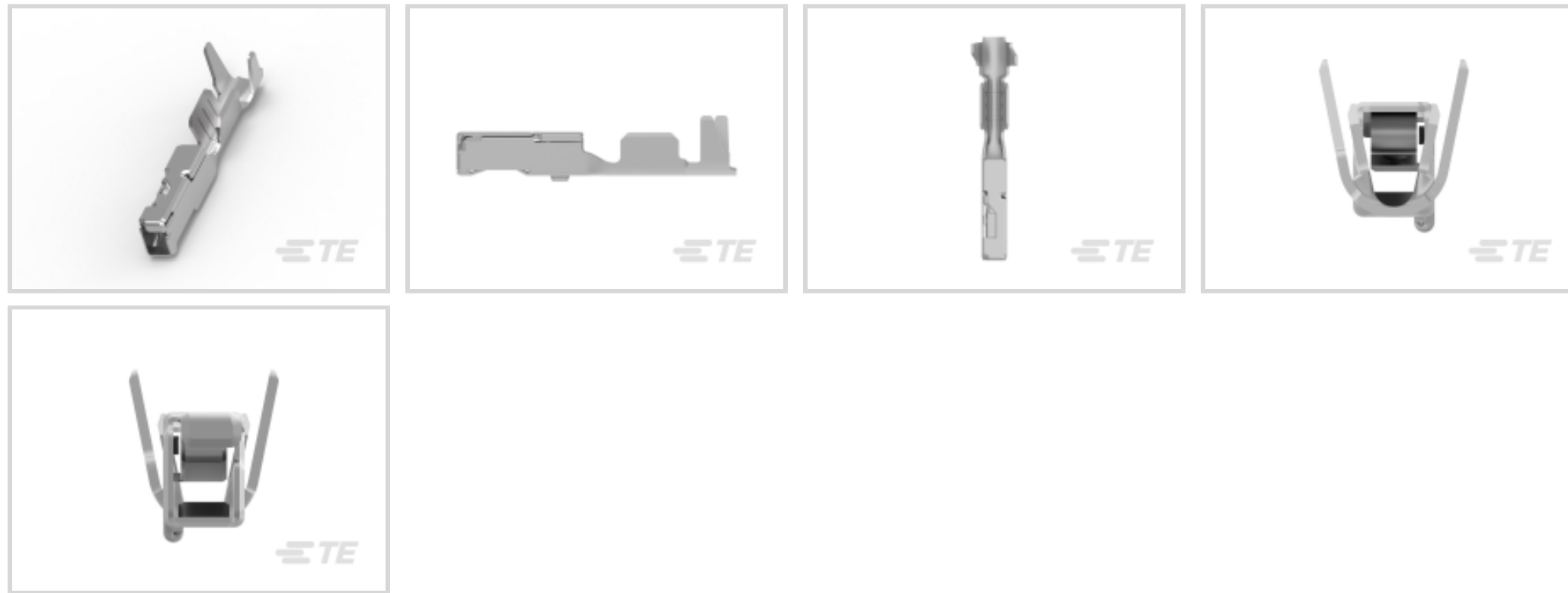
Generation Y Connector System

TE Internal #: 2098762-1

Automotive Terminals, Receptacle, Mating Tab Width .64 mm [.025 in], Tab Thickness .025 in [.64 mm], Generation Y Connector System

[View on TE.com >](#)

Terminals & Splices > Automotive Terminals > Generation Y Terminals, 68POS Hybrid



Terminal Type: **Receptacle**

Mating Tab Width: **.64 mm [.025 in]**

Mating Tab Thickness: **.64 mm [.025 in]**

Terminal Transmits: **0 – 24 A (Low Power)**

Wire Size: **22 – 20 AWG**

[All Generation Y Terminals, 68POS Hybrid \(10\)](#)

Features

Product Type Features

| | |
|-------------------------|------------|
| Receptacle Style | 180° |
| Sealable | Yes |
| Primary Locking Feature | Clean Body |

Body Features

| | |
|--------------------|-------------|
| Terminal Seal Type | Family Seal |
|--------------------|-------------|

Contact Features

| | |
|---|------------------|
| Crimp Type | F-Crimp |
| Terminal Type | Receptacle |
| Mating Tab Width | .64 mm [.025 in] |
| Mating Tab Thickness | .64 mm [.025 in] |
| Interface Plating | Tin (Sn) |
| Contact Termination Area Plating Material | Tin (Sn) |

Termination Features



| | |
|------------------------------------|-------|
| Termination Method to Wire & Cable | Crimp |
| Product Terminates To | Wire |

Dimensions

| | |
|--------------------------|--------------------------------|
| Wire Size | .35 – .5 mm ² |
| Wire Size Search | 20 AWG, 21 AWG, 22 AWG |
| Wire Insulation Diameter | 1.5 – 1.85 mm [.059 – .073 in] |

Usage Conditions

| | |
|-----------------------------|--|
| Insulation Option | Uninsulated |
| Operating Temperature (Max) | 80 °C, 85 °C, 90 °C, 100 °C, 105 °C, 110 °C, 120 °C, 125 °C [176 °F][185 °F][194 °F][212 °F][221 °F][230 °F][248 °F][257 °F] |
| Operating Temperature Range | -40 – 125 °C [-40 – 257 °F] |

Operation/Application

| | |
|------------------------------------|--------|
| Compatible With Wire Base Material | Copper |
|------------------------------------|--------|

Packaging Features

| | |
|--------------------|---------|
| Packaging Method | Package |
| Packaging Quantity | 7500 |

Other

| | |
|----------------------------|----------------------|
| Customer Preferred Contact | No |
| Terminal Transmits | 0 – 24 A (Low Power) |

Product Compliance

[For compliance documentation, visit the product page on TE.com>](#)

| | |
|---|---|
| EU RoHS Directive 2011/65/EU | Compliant |
| EU ELV Directive 2000/53/EC | Compliant |
| China RoHS 2 Directive MIIT Order No 32, 2016 | No Restricted Materials Above Threshold |
| EU REACH Regulation (EC) No. 1907/2006 | Current ECHA Candidate List: JAN 2022 (223) Candidate List Declared Against: JAN 2022 (223) Does not contain REACH SVHC |
| Halogen Content | Low Halogen - Br, Cl, F, I < 900 ppm per homogenous material. Also BFR/CFR/PVC Free |
| Solder Process Capability | Not applicable for solder process capability |

Product Compliance Disclaimer

This information is provided based on reasonable inquiry of our suppliers and represents our current actual knowledge based on the information they provided. This information is subject to change. The part numbers that TE has identified as EU RoHS compliant have a maximum concentration of 0.1% by weight in homogenous materials for lead, hexavalent chromium, mercury, PBB, PBDE, DBP, BBP, DEHP, DIBP, and 0.01% for cadmium, or qualify for an exemption to these limits as defined in the Annexes of Directive 2011/65/EU (RoHS2). Finished electrical and electronic equipment products will be CE marked as required by Directive 2011/65/EU. Components may not be CE marked. Additionally, the part numbers that TE has identified as EU ELV compliant have a maximum concentration of 0.1% by weight in homogenous materials for lead, hexavalent chromium, and mercury, and 0.01% for cadmium, or qualify for an exemption to these limits as defined in the Annexes of Directive 2000/53/EC (ELV). Regarding the REACH Regulation, the information TE provides on SVHC in articles for this part number is based on the latest European Chemicals Agency (ECHA) 'Guidance on requirements for substances in articles' posted at this URL: <https://echa.europa.eu/guidance-documents/guidance-on-reach>

Compatible Parts



TE Part # 2305570-1
TERMINAL CUTTER, SIDE FEED



TE Part # CAT-N58-ATHA68
68POS, HYBRID, REC and TAB HSG ASSY



TE Part # 2151725-1
OCEAN_2.0 APPLICATOR-S-053F061O



TE Part # 7-2151725-7
OCEAN_2.0 SPARE PART KIT-053F061O



TE Part # 2098067-2
Plug Assembly, Hybrid, BCM, IP2, B Key



TE Part # 2098067-1
Plug Assembly, Hybrid, BCM, IP1, A Key



TE Part # 2098067-7
Plug Assembly, Hybrid, BCM, CL, G Key



TE Part # 2098067-5
Plug Assembly, Hybrid, BCM, B1, E Key



TE Part # 2098067-4
Plug Assembly, Hybrid, BCM, U2, D Key



TE Part # 2098067-6
Plug Assembly, Hybrid, BCM, B2, F Key



TE Part # 1924212-1
ASSY, CAP, 2X3, SEALED, 0.64, OPEN



TE Part # 2098067-3
Plug Assembly, Hybrid, BCM, U1, C Key




TE Part # 2063291-1
PRO-C HT & DIE GEN Y



TE Part # 2-2151725-1
OCEAN_2.0_APPLICATOR-S-053F061O



TE Part # 2-2151725-2
OCEAN_2.0_APPLICATOR-S-053F061O



TE Part # 2138557-2
2P GENERATION Y Plug, Single-P



TE Part # 2151725-2
OCEAN_2.0_APPLICATOR-S-053F061O



TE Part # 2295163-1
22POS,MIXED,REC HSG,ASSY




TE Part # 2295163-2
22POS,MIXED,REC HSG,ASSY




TE Part # 2295163-3
22POS,MIXED,REC HSG,ASSY

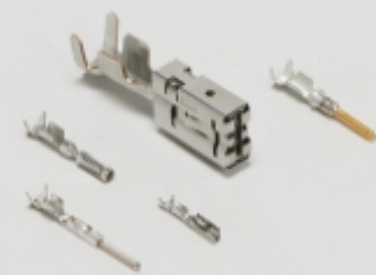
Also in the Series | Generation Y Connector System




Automotive Connector Caps & Covers (16)



Automotive Housings(153)



Automotive Terminals(39)



Insertion & Extraction Tools(1)



PCB Headers & Receptacles(15)

Customers Also Bought



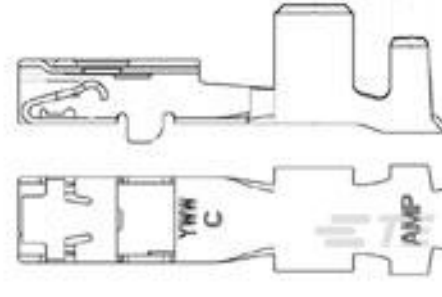
TE Part #1742975-1
110 PL REC. 22-18AWG TPBR



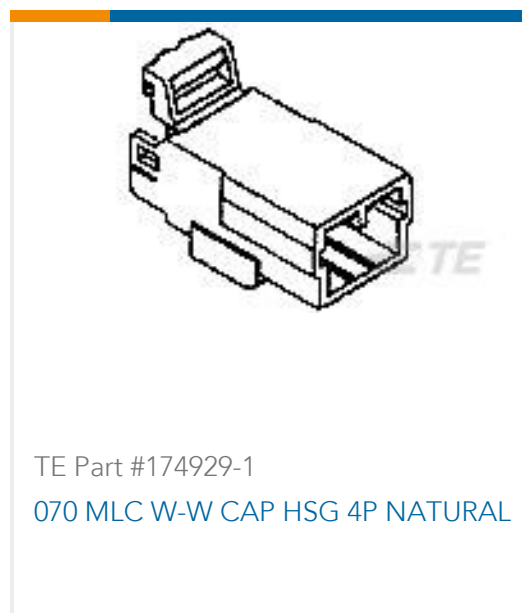
TE Part #1969534-1
POSITIVE LOCK .110 HOUSING RECEPTACLE



TE Part #8-1676123-1
1/2W SM M/OX 5% 1K8



TE Part #1326030-2
2.8MM RECP,UNSEAL,18-20AWG



Documents

Product Drawings

Contact,female0.64, 20-22AWG,

English

CAD Files

3D PDF

3D

Customer View Model

[ENG_CVM_CVM_2098762-1_C.2d_dxf.zip](#)

English

Customer View Model

[ENG_CVM_CVM_2098762-1_C.3d_igs.zip](#)

English

Customer View Model

[ENG_CVM_CVM_2098762-1_C.3d_stp.zip](#)

English

By downloading the CAD file I accept and agree to the [Terms and Conditions](#) of use.

Product Specifications

Application Specification

English

Product Environmental Compliance

Product Compliance

English

Product Compliance

English

