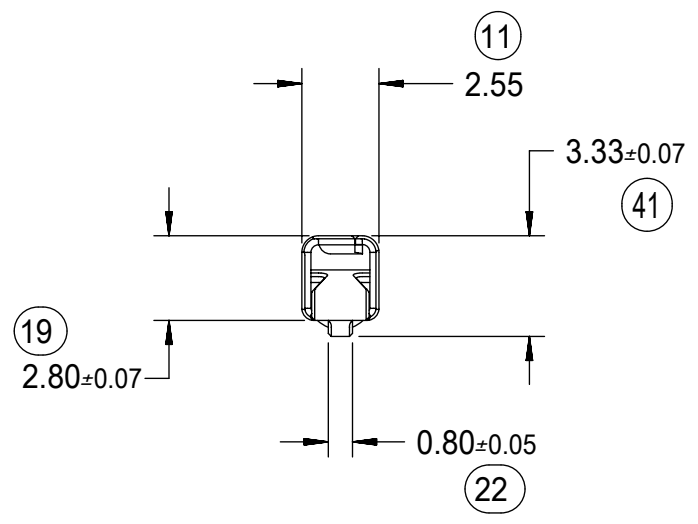


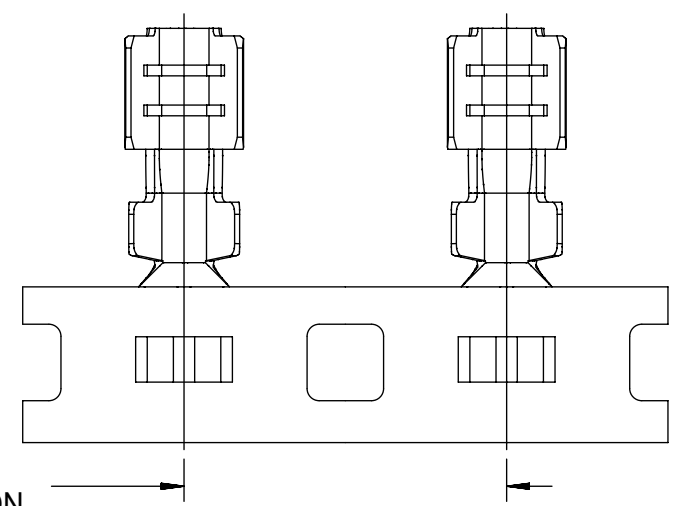
DIMENSIONS FOR LARGE POLARIZATION RIB TERMINAL ONLY

NOTES: (UNLESS OTHERWISE SPECIFIED)

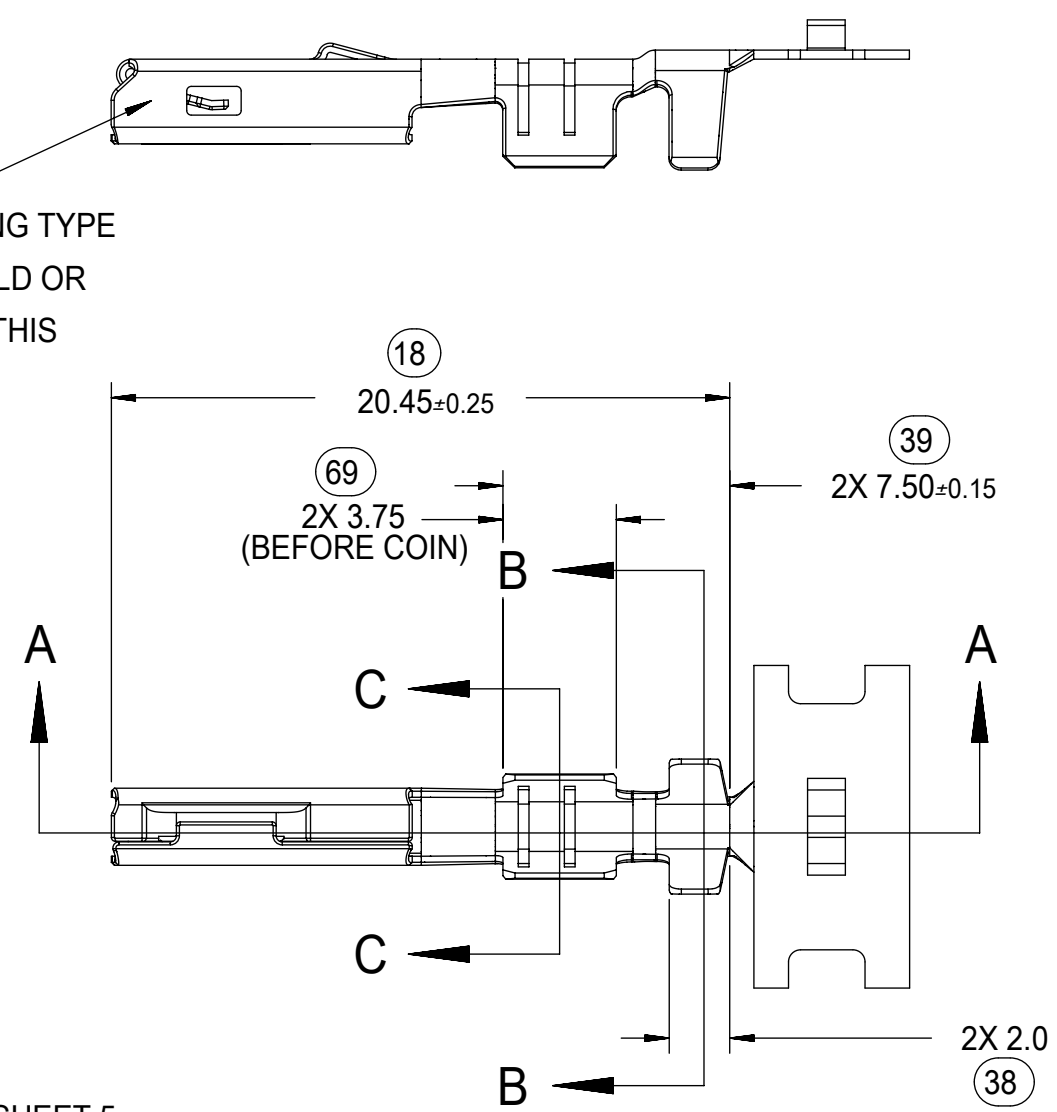
- MATING TERMINAL SHOWN ON SD-33000-001
- MATERIAL: ASTM B422, UNS C19025, HR04  
THICKNESS: 0.30 mm ±0.01  
TEMPER: FULL HARD (REF)  
TENSILE: 496 MIN MPA
- TIN PLATED TERMINAL FINISH:  
OVERALL UNDERPLATE ELECTRODEPOSITED NICKEL  
OVERALL ELECTRODEPOSITED REFLOW TIN
- GOLD PLATED TERMINAL FINISH  
OVERALL UNDERPLATE ELECTRODEPOSITED DUCTILE SULFAMATE NICKEL  
CONTACT AREA - ELECTRODEPOSITED GOLD  
GRIP AREA - ELECTRODEPOSITED 100% TIN MATTE FINISH
- SILVER PLATED TERMINAL FINISH  
OVERALL UNDERPLATE ELECTRODEPOSITED DUCTILE SULFAMATE NICKEL  
CONTACT AREA - ELECTRODEPOSITED PURE SILVER (0.5% MAX  
IMPURITIES) SEMI-BRIGHT FINISH  
- SILVER ANTI-TARNISH : EVABRITE  
GRIP AREA - ELECTRODEPOSITED 100% TIN MATTE FINISH
- MEETS PERFORMANCE SPECIFICATION FOR CABLE TO TERMINAL  
ELECTRICAL CRIMPS PER SAE/USCAR-21 (8/2001)
- MEETS PERFORMANCE STANDARD FOR AUTOMOTIVE ELECTRICAL  
CONNECTOR SYSTEMS FOR SAE/USCAR-2, REV. 4 (TEMP CLASS 3)  
(5/2004)
- MEETS ELECTRICAL CONNECTION SYSTEM DESIGN SPECIFICATION  
(SDS) REV.11 (5/2002)
- MEETS FIELD CORRELATED LIFE TEST (FCLT) PER  
SAE/USCAR-20 (6/2004)
- MEETS WIRING COMPONENT DESIGN GUIDELINES SAE/USCAR-12  
REV 2 (12/2001)
- TSC ON A DIMENSION TO BE INTERPRETED AS DISTANCE TO  
A THEORETICAL SHARP CORNER AS IF THE RADIUS WERE NOT  
PRESENT
- REFERENCE 97BG-14474-AAB FOR LARGE POLARIZATION RIB  
CAVITY SPECIFICATION
- INSERTION FORCE (TIN) AVG. FROM PV TESTING =  
3.8N LARGE POLARIZATION RIB  
3.5N SMALL POLARIZATION RIB  
(REFERENCE)
- ALL DIMENSIONS EXCEPT (33), (34), (41) & (42) ARE COMMON TO  
BOTH SMALL AND LARGE POLARIZATION RIB TERMINALS
- REFERENCE PK-31300-516 FOR REEL DIRECTION
- REFERENCE AS-33012-002 FOR CRIMP INFORMATION



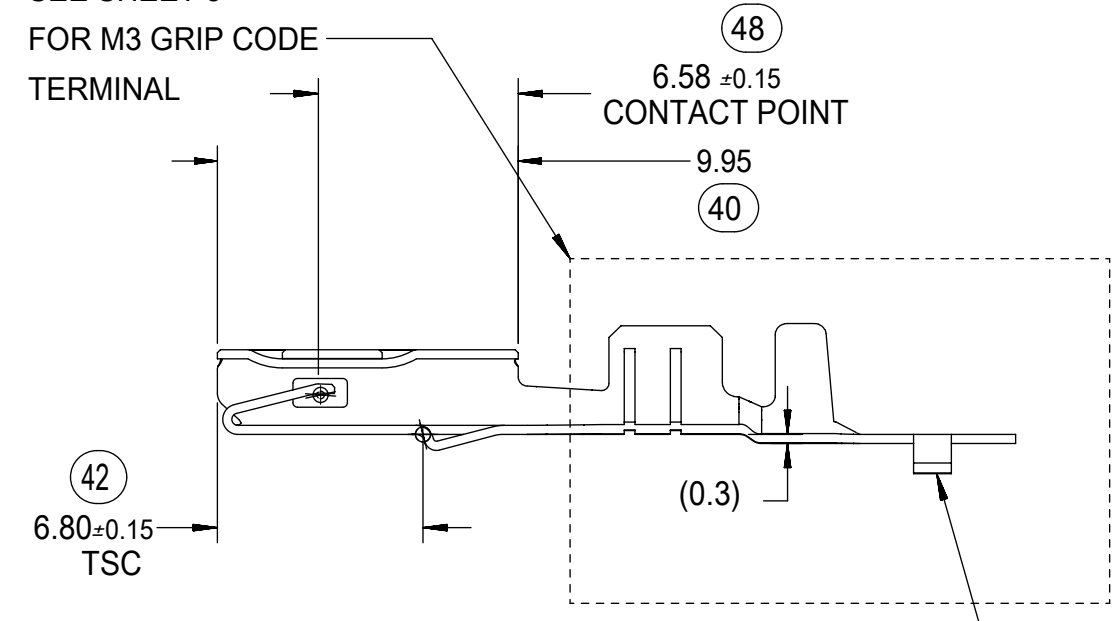
(10.67)  
PROGRESSION



STAMP PLATING TYPE  
Sn-TIN, Au-GOLD OR  
Ag-SILVER IN THIS  
AREA

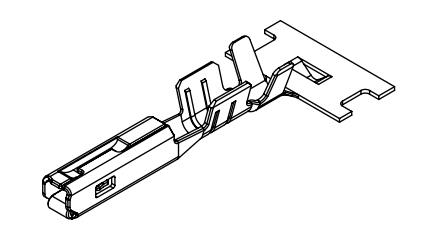


SEE SHEET 5  
FOR M3 GRIP CODE  
TERMINAL

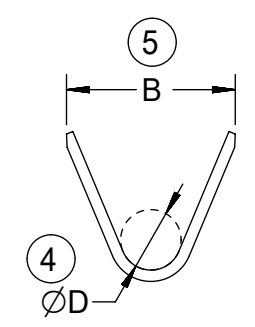


SECTION A-A

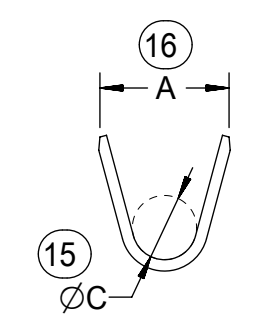
CARRIER BUMP DIRECTION  
POINTS DOWN FOR TIN PLATED TERMINALS  
POINTS UP FOR PRECIOUS PLATED TERMINALS



SCALE 2:1



SECTION B-B  
SCALE 5:1



SECTION C-C  
SCALE 5:1

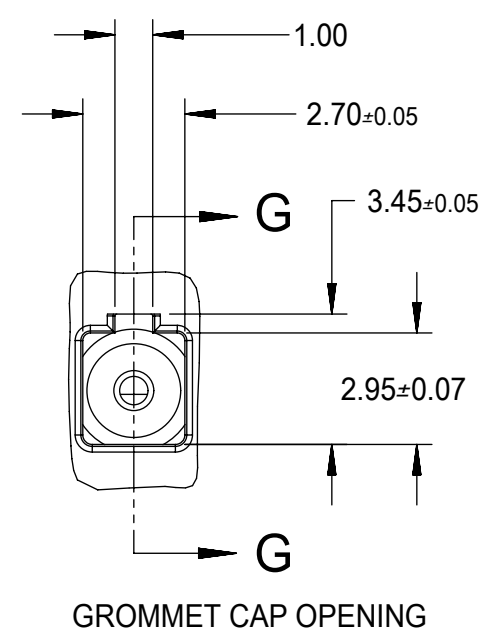
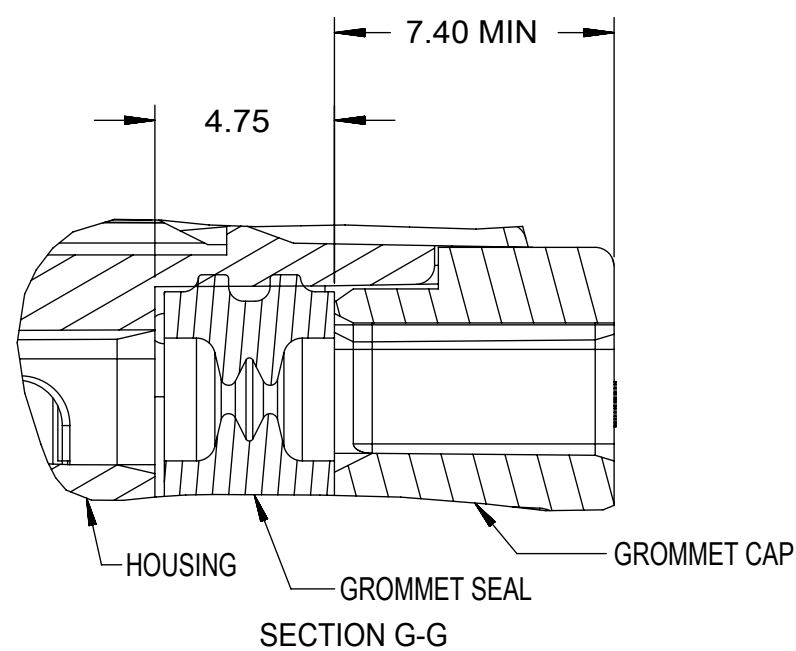
THIS DRAWING CONTAINS INFORMATION THAT IS PROPRIETARY TO MOLEX ELECTRONIC TECHNOLOGIES, LLC AND SHOULD NOT BE USED WITHOUT WRITTEN PERMISSION										
SYMBOLS		DIMENSION UNITS	SCALE	CURRENT REV DESC:			molex			
▽ = 0	▽ = 0	mm	4:1	EC NO: 631014			<b>MX150 RECEPTACLE TERMINAL</b>			
▽ = 0	▽ = 0	GENERAL TOLERANCES (UNLESS SPECIFIED)		DRWN: NVENKATESHSH 2019/05/11						
▽ = 0	▽ = 0	ANGULAR TOL ± 3.0°		CHK'D: ADHIR 2020/03/06			PRODUCT CUSTOMER DRAWING			
▽ = 0	▽ = 0	4 PLACES ±		APPR: ADHIR 2020/03/06						
▽ = 0	▽ = 0	3 PLACES ±		INITIAL REVISION:			DOCUMENT NUMBER: <b>SD-33012-002</b>   DOC TYPE: PSD   DOC PART: 001   REVISION: C2			
▽ = 0	▽ = 0	2 PLACES ± 0.10		DRWN: LPULLIAM 2005/06/21						
▽ = 0	▽ = 0	1 PLACE ± 0.3		APPR: BMOSEY 2005/06/22			MATERIAL NUMBER: SEE TABLE   CUSTOMER: GENERAL MARKET   SHEET NUMBER: 1 OF 5			
▽ = 0	▽ = 0	0 PLACES ±		DRAFT WHERE APPLICABLE MUST REMAIN WITHIN DIMENSIONS						
▽ = 0	▽ = 0	THIRD ANGLE PROJECTION		DRAWING: C-SIZE			SERIES: 33012			

FAMILY	GENDER	SEALING	PLATING	PART NUMBER	PAYOFF DIRECTION	GRIP CODE	WIRE SIZES *	A ±0.30	B ±0.30	C ±0.30	D ±0.30	SPECIAL CHARACTERISTICS
MX150	RECEPTACLE	MAT SEAL	Sn	33012-2001	RIGHT (B)	14	16/14AWG 1.25-2.00mm <sup>2</sup>	3.9	4.4	1.7	1.6	HIGH PERFORMANCE Sn
				33012-3001	LEFT (D)							
				33012-2002	RIGHT (B)	18	20/18AWG 0.75-1.00mm <sup>2</sup>	3.3	3.1	1.3	1.4	
				33012-3002	LEFT (D)							
				33012-2003	RIGHT (B)	22	22AWG	2.5	2.6	0.9	1.0	
				33012-3003	LEFT (D)							
			33012-2004	RIGHT (B)	M3	0.35-0.50mm <sup>2</sup>	2.5	2.7	0.9	1.54 ±0.1		
			33012-3004	LEFT (D)								
			Au	33001-2003	RIGHT (B)	14	16/14AWG 1.25-2.00mm <sup>2</sup>	3.9	4.4	1.7	1.6	HIGH PERFORMANCE Au
				33001-3003	LEFT (D)							
				33001-2004	RIGHT (B)	18	20/18AWG 0.75-1.00mm <sup>2</sup>	3.3	3.1	1.3	1.4	
				33001-3004	LEFT (D)							
				33001-2005	RIGHT (B)	22	22AWG	2.5	2.6	0.9	1.0	
				33001-3005	LEFT (D)							
			33001-2006	RIGHT (B)	M3	0.35-0.50mm <sup>2</sup>	2.5	2.7	0.9	1.54 ±0.1		
			33001-3006	LEFT (D)								
			Ag	33001-4001	RIGHT (B)	14	16/14AWG 1.25-2.00mm <sup>2</sup>	3.9	4.4	1.7	1.6	HIGH PERFORMANCE Ag
				33001-5001	LEFT (D)							
33001-4002	RIGHT (B)	18		20/18AWG 0.75-1.00mm <sup>2</sup>	3.3	3.1	1.3	1.4				
33001-5002	LEFT (D)											
33001-4003	RIGHT (B)	22		22AWG	2.5	2.6	0.9	1.0				
33001-5003	LEFT (D)											
33001-4005	RIGHT (B)	M3	0.35-0.50mm <sup>2</sup>	2.5	2.7	0.9	1.54 ±0.1					
33001-5005	LEFT (D)											

LARGE POLARIZATION RIB - NOT TO BE USED IN MX150 SEALED CONNECTORS

MX150	RECEPTACLE	UNSEALED	Sn	33012-2021	RIGHT (B)	14	16/14AWG 1.25-2.00mm <sup>2</sup>	3.9	4.4	1.7	1.6	HIGH PERFORMANCE Sn
				33012-3021	LEFT (D)							
				33012-2022	RIGHT (B)	18	20/18AWG 0.75-1.00mm <sup>2</sup>	3.3	3.1	1.3	1.4	
				33012-3022	LEFT (D)							
				33012-2023	RIGHT (B)	22	22AWG 0.35-0.50mm <sup>2</sup>	2.5	2.6	0.9	1.0	
				33012-3023	LEFT (D)							
			Au	33001-2021	RIGHT (B)	14	16/14AWG 1.25-2.00mm <sup>2</sup>	3.9	4.4	1.7	1.6	HIGH PERFORMANCE Au
				33001-3021	LEFT (D)							
				33001-2022	RIGHT (B)	18	20/18AWG 0.75-1.00mm <sup>2</sup>	3.3	3.1	1.3	1.4	
				33001-3022	LEFT (D)							
				33001-2023	RIGHT (B)	22	22AWG 0.35-0.50mm <sup>2</sup>	2.5	2.6	0.9	1.0	
				33001-3023	LEFT (D)							
			Ag	33001-4021	RIGHT (B)	14	16/14AWG 1.25-2.00mm <sup>2</sup>	3.9	4.4	1.7	1.6	HIGH PERFORMANCE Ag
				33001-5021	LEFT (D)							
				33001-4022	RIGHT (B)	18	20/18AWG 0.75-1.00mm <sup>2</sup>	3.3	3.1	1.3	1.4	
				33001-5022	LEFT (D)							
				33001-4023	RIGHT (B)	22	22AWG 0.35-0.50mm <sup>2</sup>	2.5	2.6	0.9	1.0	
				33001-5023	LEFT (D)							

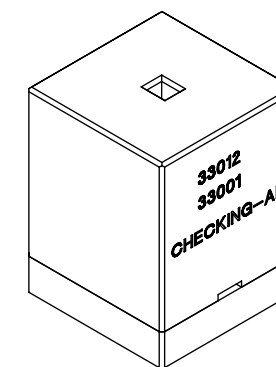
\* REFERENCE AS-33012-002 FOR SPECIFIC WIRE TYPES



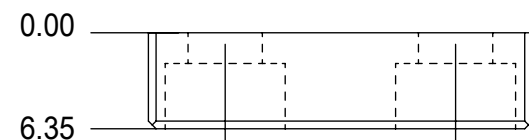
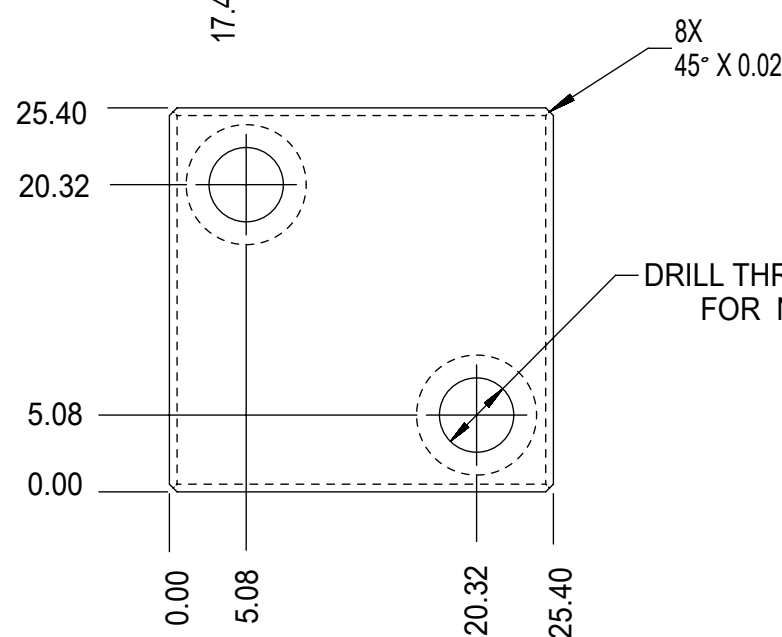
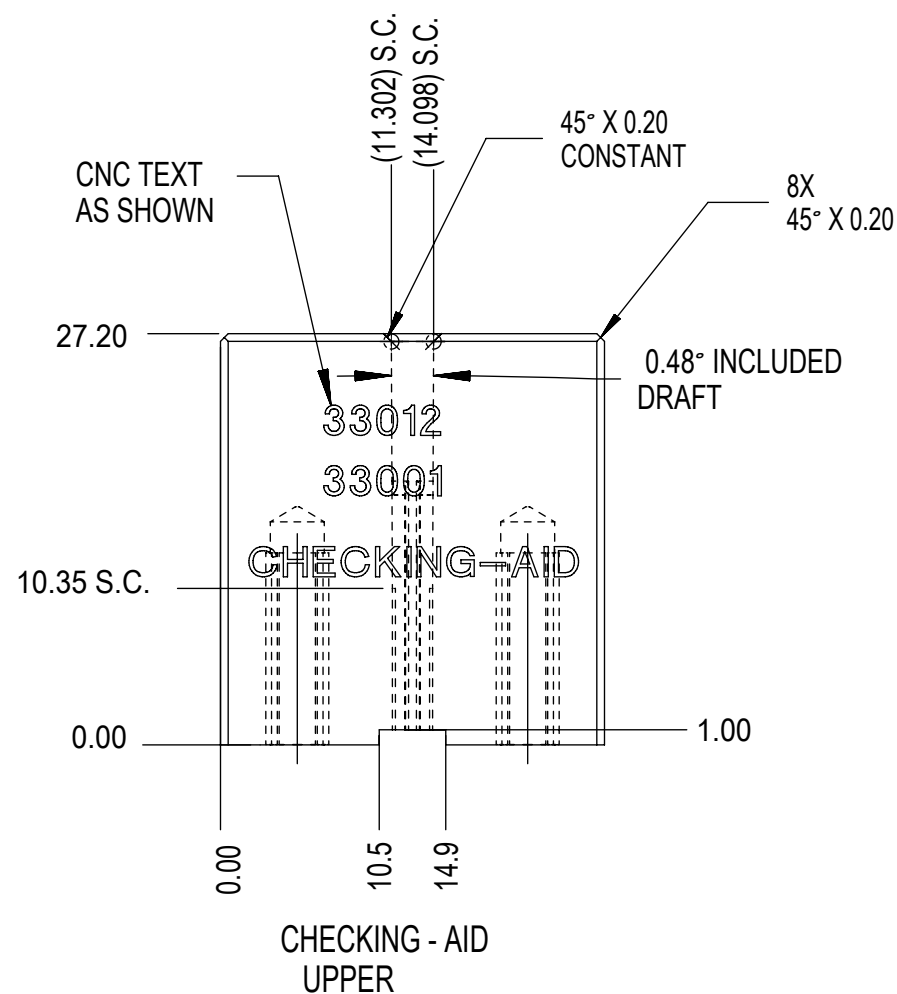
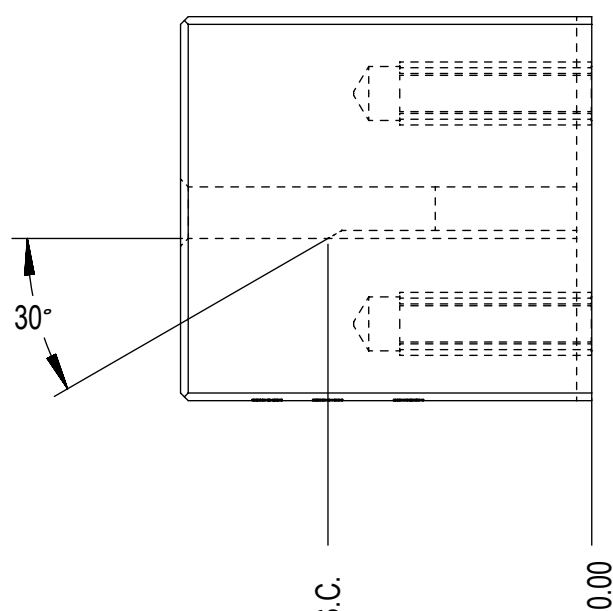
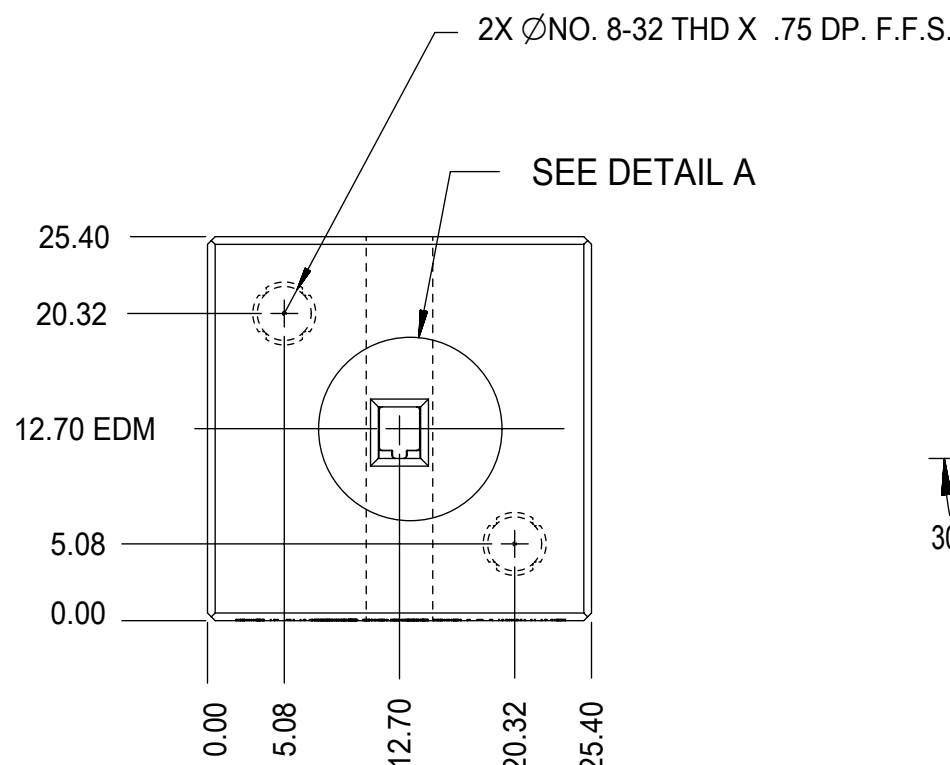
GROMMET SEAL / CAP CONFIGURATION TO MODIFY LARGE POLARIZATION RIB CAVITY TO ACCEPT SMALL POLARIZATION RIB APPLICATIONS

SYMBOLS		THIS DRAWING CONTAINS INFORMATION THAT IS PROPRIETARY TO MOLEX ELECTRONIC TECHNOLOGIES, LLC AND SHOULD NOT BE USED WITHOUT WRITTEN PERMISSION	
▽ = 0	mm	DIMENSION UNITS	SCALE
▽ = 0	GENERAL TOLERANCES (UNLESS SPECIFIED)	CURRENT REV DESC:	
▽ = 0	ANGULAR TOL ± 3.0°	EC NO: 631014	
▽ = 0	4 PLACES ±	DRWN: NVENKATESHSH 2019/05/11	
▽ = 0	3 PLACES ±	CHK'D: ADHIR 2020/03/06	
▽ = 0	2 PLACES ± 0.10	APPR: ADHIR 2020/03/06	
▽ = 0	1 PLACE ± 0.3	INITIAL REVISION:	
▽ = 0	0 PLACES ±	DRWN: LPULLIAM 2005/06/21	
□ = 0	DRAFT WHERE APPLICABLE MUST REMAIN WITHIN DIMENSIONS	APPR: BMOSEY 2005/06/22	
▽ = 0	THIRD ANGLE PROJECTION	DRAWING	SERIES
		C-SIZE	33012
		MATERIAL NUMBER	CUSTOMER
		SEE TABLE	GENERAL MARKET
		DOC TYPE	DOC PART
		PSD	001
		DOC PART	REVISION
		C2	
		SHEET NUMBER	
			2 OF 5

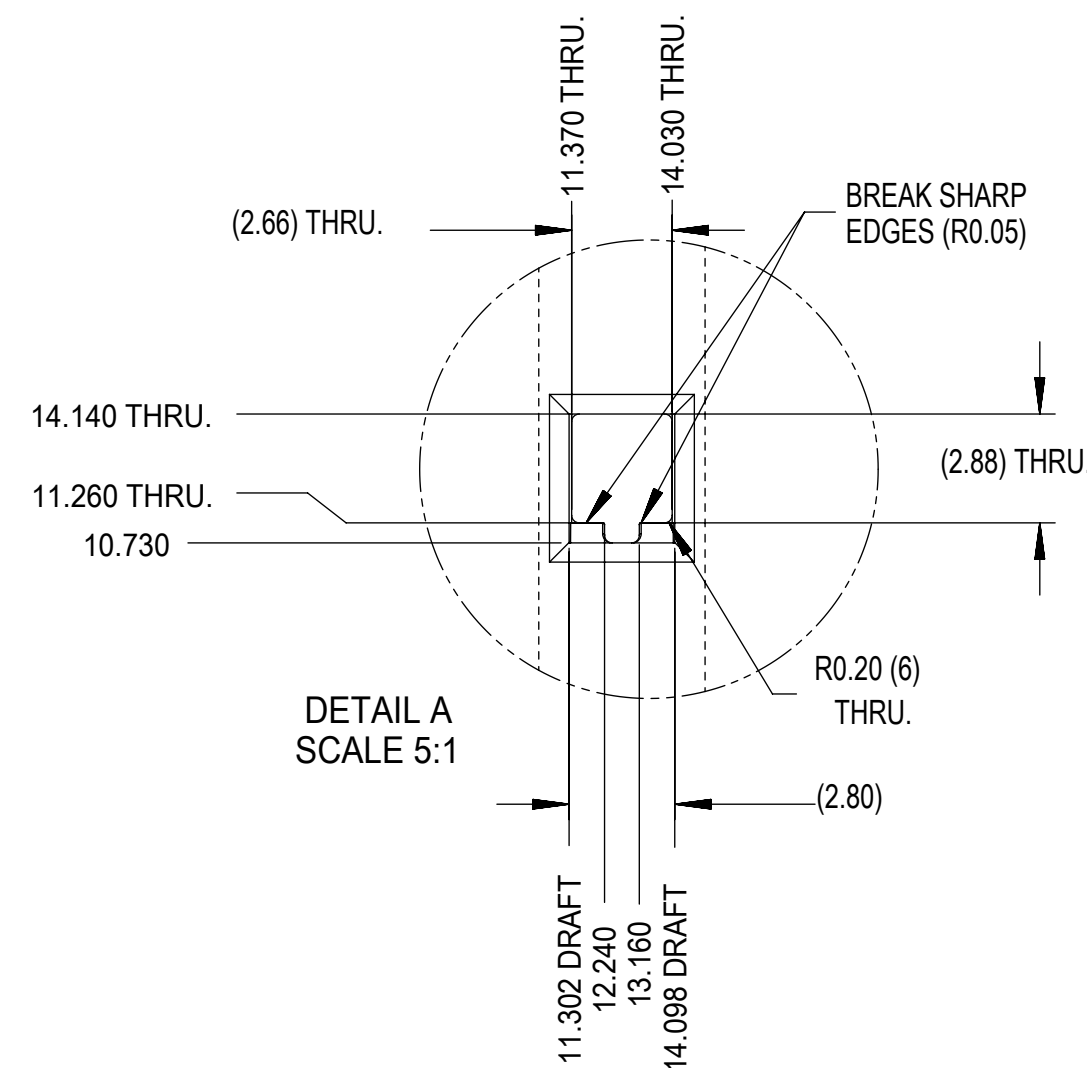
THIS CHECKING - AID IS FOR SMALL POLARIZATION RIB TERMINALS ONLY



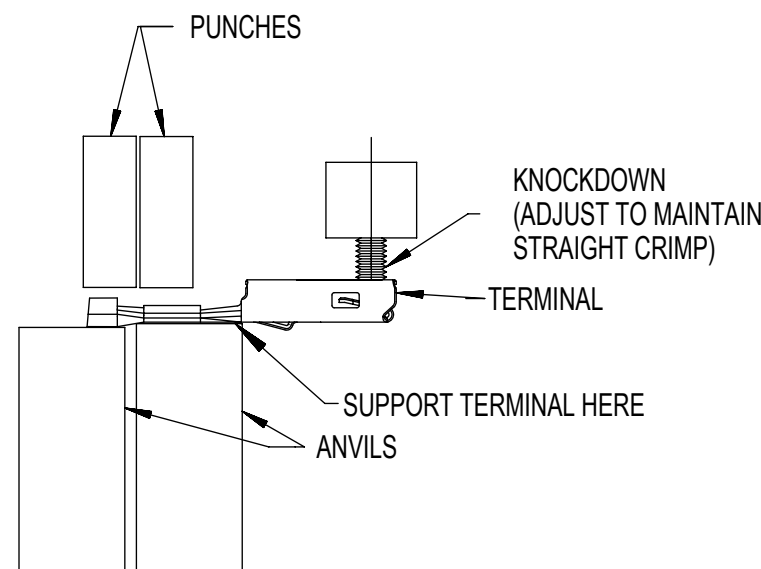
CHECKING - AID ASSEMBLY  
SCALE 1:1



CHECKING - AID  
LOWER



DETAIL A  
SCALE 5:1



CRIMP REQUIREMENTS:

1. CRIMP STRAIGHTNESS MUST BE MAINTAINED USE A KNOCKDOWN TOOL LOCATED AS SHOWN TERMINAL BOX MUST NOT BE DEFORMED
2. AFTER CRIMPING, THE CRIMPED TERMINAL (AND UP TO 5 mm OF WIRE PAST THE INSULATOR CUTOFF TAB) MUST FIT FREELY INTO THE CHECKING-AID SHOWN ON THIS PAGE
3. FOR OTHER MECHANICAL REQUIREMENTS ON CRIMPED TERMINALS, REFER TO SAE/USCAR-21 (5-13-02) SECTIONS 4.2 (VISUAL INSPECTION), 4.2 (CROSS SECTION ANALYSIS) AND 4.4 (CONDUCTOR CRIMP PULLOUT FORCE)

UPPER & LOWER  
CHECKING-AID  
A2 TOOL STEEL  
HARDEN & GRIND  
ROCKWELL "C" 56-58

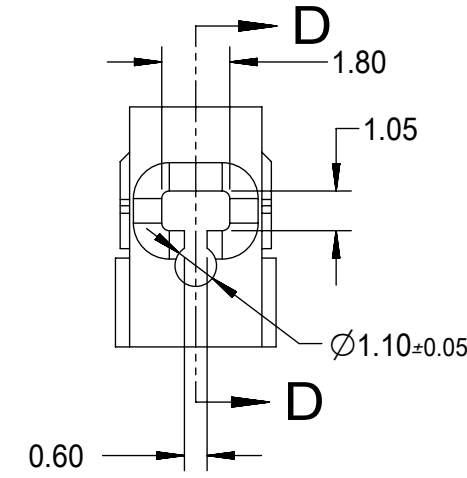
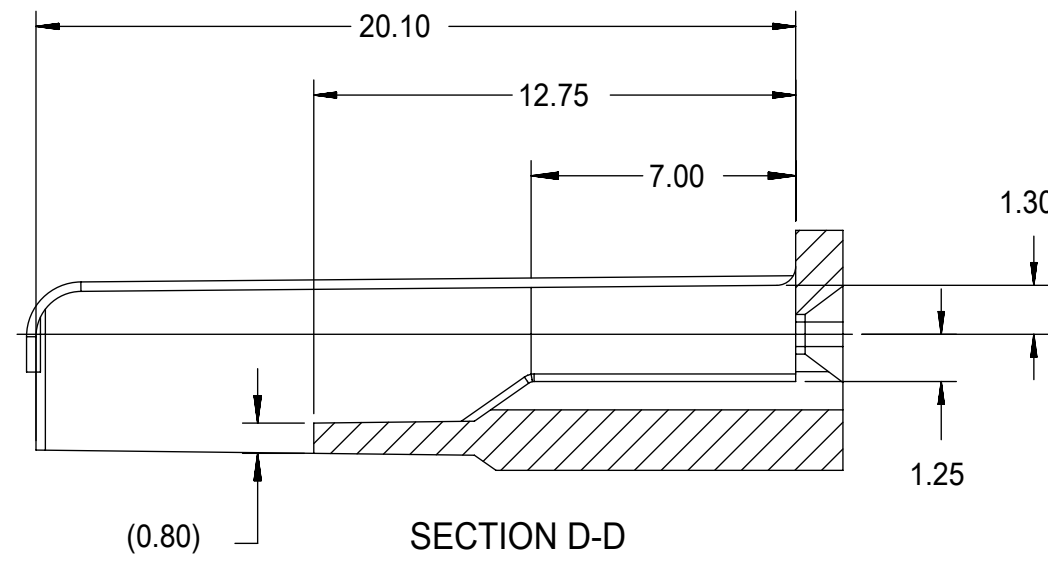
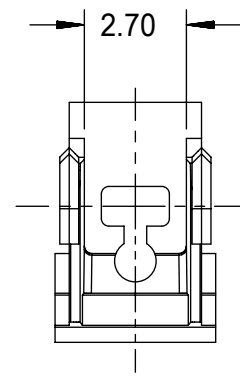
THIS DRAWING CONTAINS INFORMATION THAT IS PROPRIETARY TO MOLEX ELECTRONIC TECHNOLOGIES, LLC AND SHOULD NOT BE USED WITHOUT WRITTEN PERMISSION									
SYMBOLS		DIMENSION UNITS		SCALE		CURRENT REV DESC:			
▽ = 0	0	mm	2:1	EC NO: 631014					
▽ = 0	0	GENERAL TOLERANCES (UNLESS SPECIFIED)		DRWN: NVENKATESHSH 2019/05/11					
▽ = 0	0	ANGULAR TOL ± 3.0°		CHK'D: ADHIR 2020/03/06					
▽ = 0	0	4 PLACES ±		APPR: ADHIR 2020/03/06					
▽ = 0	0	3 PLACES ±		INITIAL REVISION:					
▽ = 0	0	2 PLACES ± 0.10		DRWN: LPULLIAM 2005/06/21					
▽ = 0	0	1 PLACE ± 0.3		APPR: BMOSEY 2005/06/22					
▽ = 0	0	0 PLACES ±		DRAFT WHERE APPLICABLE MUST REMAIN WITHIN DIMENSIONS		THIRD ANGLE PROJECTION		DRAWING SERIES	
▽ = 0	0			C-SIZE		33012		MATERIAL NUMBER CUSTOMER SHEET NUMBER	
DOCUMENT STATUS		P1		RELEASE DATE		2020/03/06 02:34:09		SEE TABLE GENERAL MARKET 3 OF 5	

**molex**

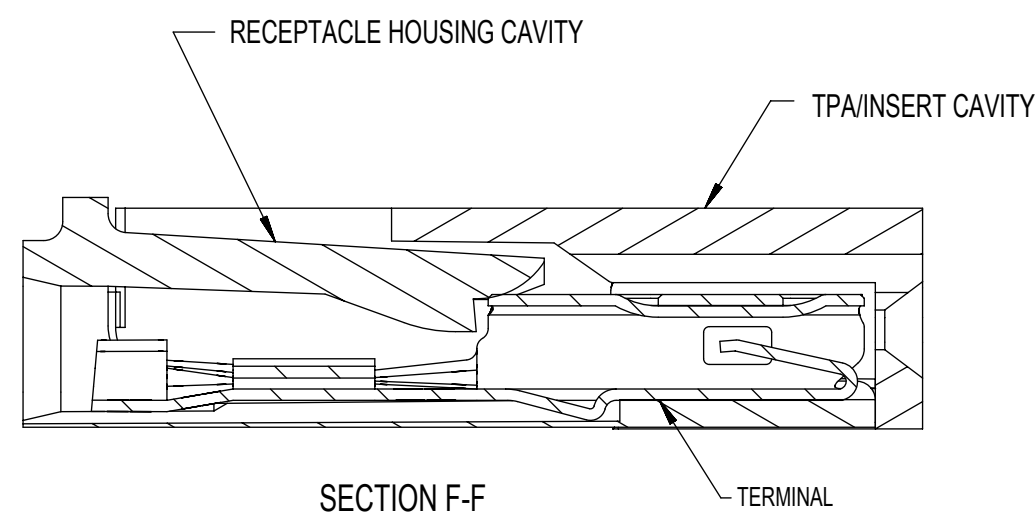
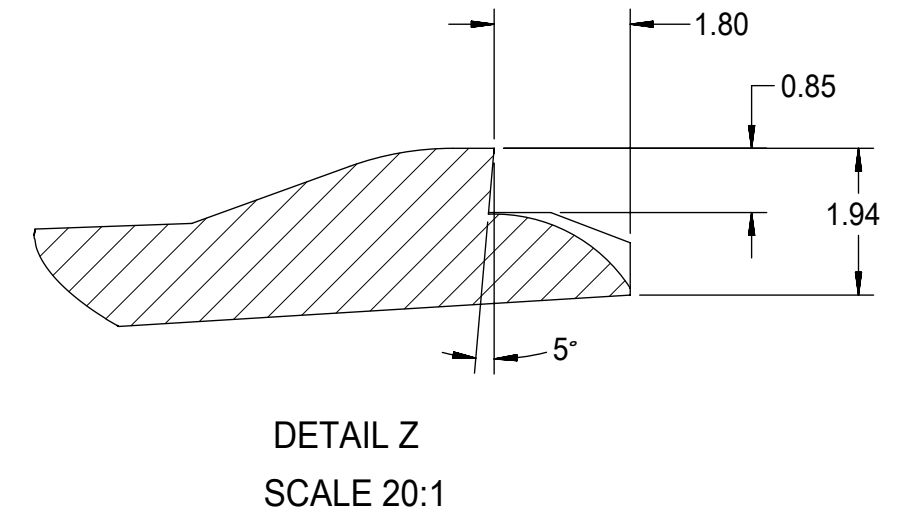
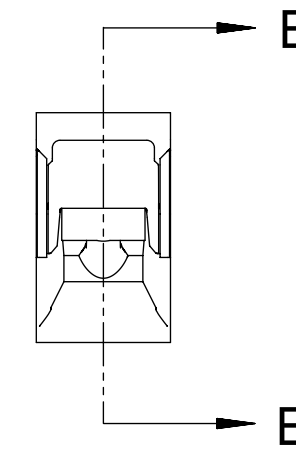
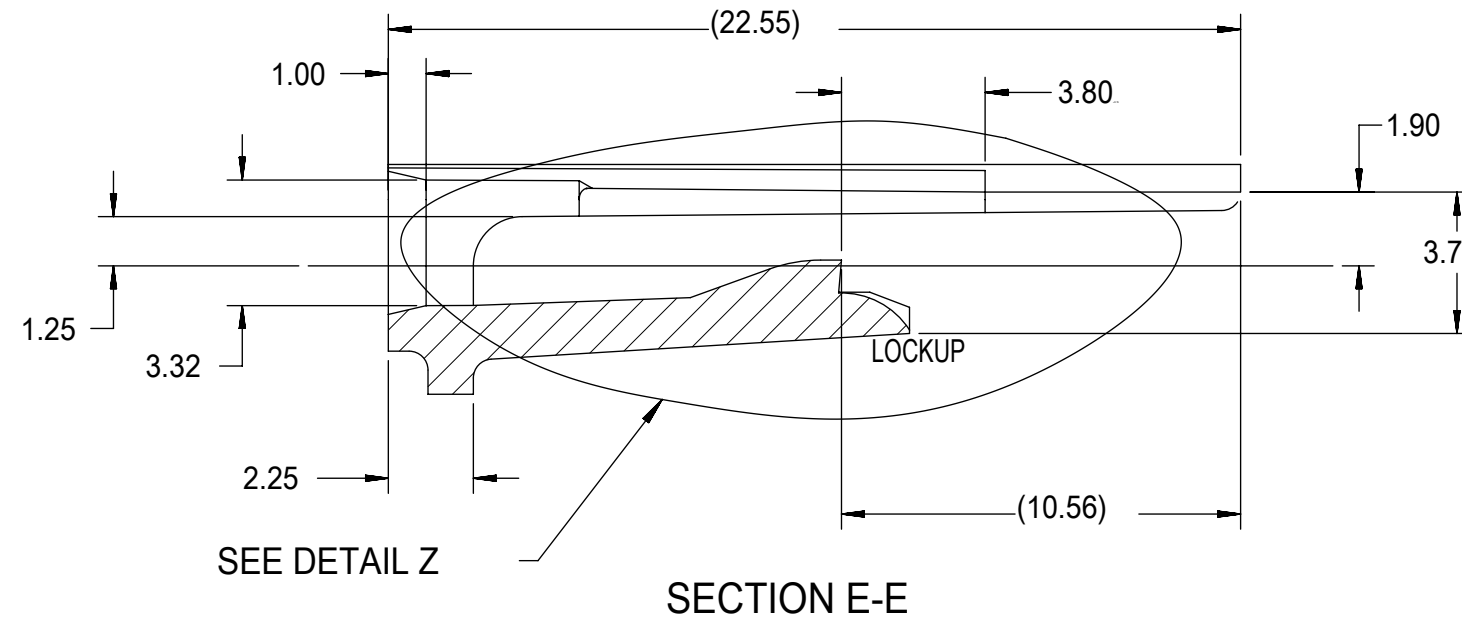
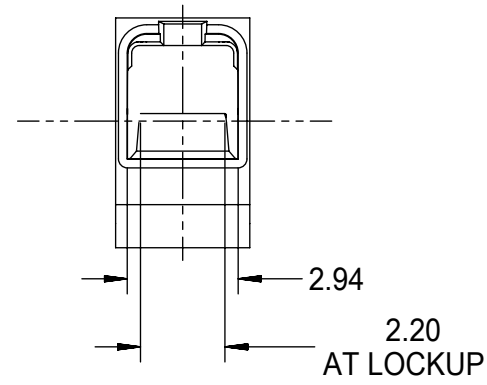
MX150  
RECEPTACLE TERMINAL

PRODUCT CUSTOMER DRAWING

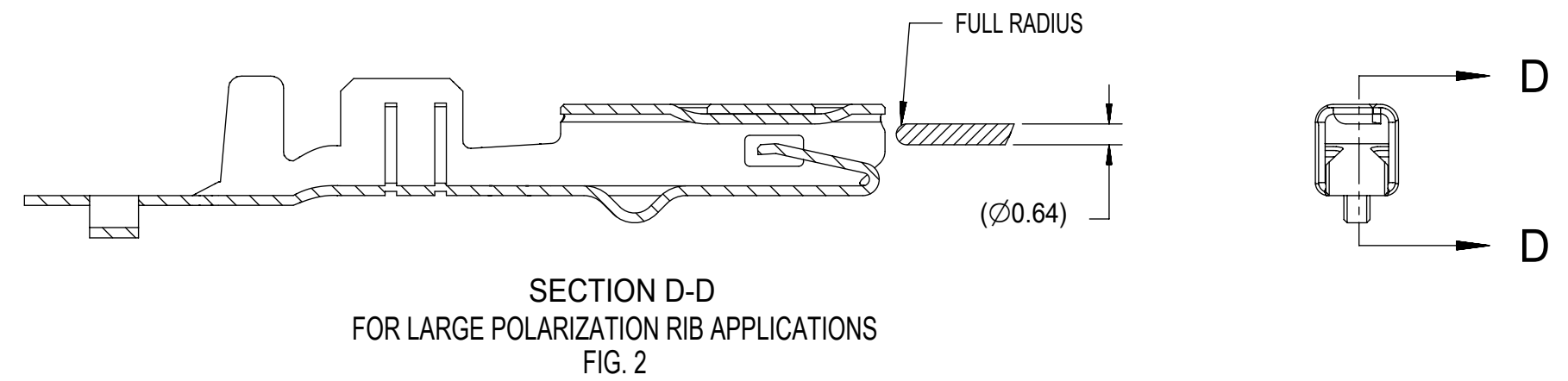
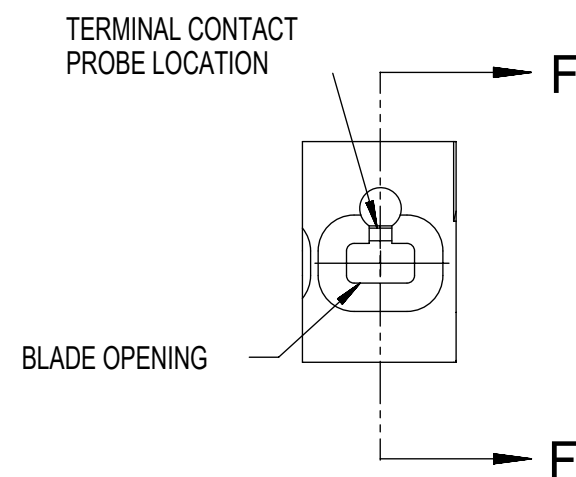
DOCUMENT NUMBER	DOC TYPE	DOC PART	REVISION
SD-33012-002	PSD	001	C2



- NOTES: UNLESS OTHERWISE SPECIFIED
1. TOLERANCES: LINEAR  $\pm 0.10$   
ANGULAR  $\pm 3^\circ$
  2. ALL DRAFT WITHIN TOLERANCE.
  3. MAX RADII ON ALL CORNERS SHOWN SHARP: 0.10
  4. MAX FLASH PERMISSIBLE: 0.1
  5. EJECTOR PIN MARKS PERMISSIBLE IF FLUSH TO 0.25 BELOW SURFACE.
  6. MATERIAL: HOUSING/FINGER SPECIFICATION ENGINEERED FOR MATERIAL WITH THE FOLLOWING PROPERTIES:  
A. FLEXURAL MODULUS = 4,500 TO 9,400 MPa  
PER ASTM TEST D790  
B. ELONGATION AT YIELD = 2.3% OR BETTER  
PER ASTM TEST D638 TYPE V
  7. CAVITY SPEC FOR USE ONLY WITH MOLEX RECEPTACLE  
TERMINAL PART NUMBERS SPECIFIED ELSEWHERE ON THIS  
DRAWING



RECEPTACLE CAVITY ASSEMBLED VIEWS  
FOR SMALL POLARIZATION RIB APPLICATIONS  
FIG. 1



SECTION D-D  
FOR LARGE POLARIZATION RIB APPLICATIONS  
FIG. 2

PROBING DOWN THE  
THROAT MUST USE  
THIS TERMINAL PROBE

FOR PROBING INFORMATION REFERENCE  
MOLEX MX150 APPLICATION SPEC AS-33472-100

PREFERRED PROBING LOCATION  
IS NOT ON SPRING MEMBER

IF ELECTRICAL CONTINUITY PROBE  
TOUCHES SPRING MEMBER USE  
PROBING AS SHOWN IN FIG. 2

SYMBOLS		THIS DRAWING CONTAINS INFORMATION THAT IS PROPRIETARY TO MOLEX ELECTRONIC TECHNOLOGIES, LLC AND SHOULD NOT BE USED WITHOUT WRITTEN PERMISSION	
DIMENSION UNITS	SCALE	CURRENT REV DESC:	
$\nabla = 0$	mm	5:1	
$\nabla = 0$	GENERAL TOLERANCES (UNLESS SPECIFIED)		
$\nabla = 0$	ANGULAR TOL $\pm 3.0^\circ$		
$\nabla = 0$	4 PLACES	$\pm$	
$\nabla = 0$	3 PLACES	$\pm$	
$\nabla = 0$	2 PLACES	$\pm 0.10$	
$\nabla = 0$	1 PLACE	$\pm 0.3$	
$\nabla = 0$	0 PLACES	$\pm$	
$\nabla = 0$	DRAFT WHERE APPLICABLE MUST REMAIN WITHIN DIMENSIONS		
$\nabla = 0$	THIRD ANGLE PROJECTION	DRAWING	SERIES
		C-SIZE	33012
		EC NO: 631014	
		DRWN: NVENKATESHSH	2019/05/11
		CHK'D: ADHIR	2020/03/06
		APPR: ADHIR	2020/03/06
		INITIAL REVISION:	
		DRWN: LPULLIAM	2005/06/21
		APPR: BMOSE	2005/06/22
		DOCUMENT NUMBER	DOC TYPE   DOC PART   REVISION
		SD-33012-002	PSD   001   C2
		MATERIAL NUMBER	CUSTOMER
		SEE TABLE	GENERAL MARKET
		SHEET NUMBER	
		4 OF 5	

**molex**

MX150  
RECEPTACLE TERMINAL

PRODUCT CUSTOMER DRAWING

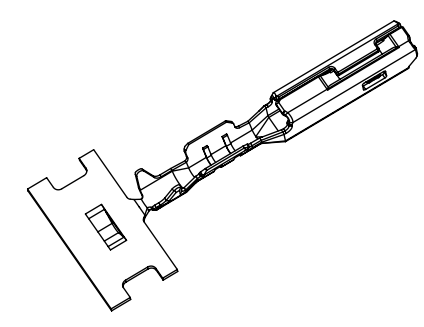
DOCUMENT NUMBER | DOC TYPE | DOC PART | REVISION

SD-33012-002 | PSD | 001 | C2

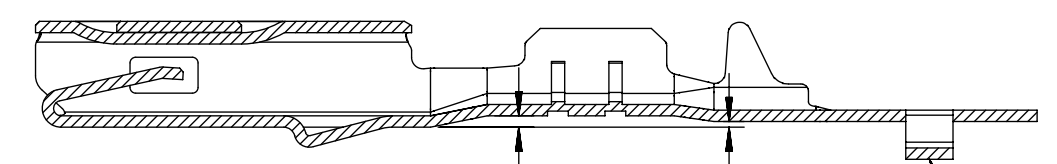
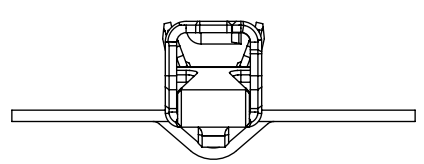
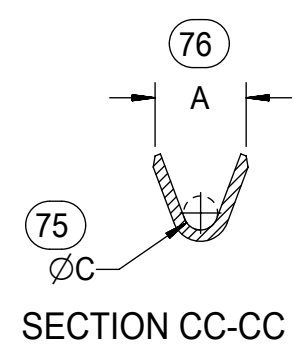
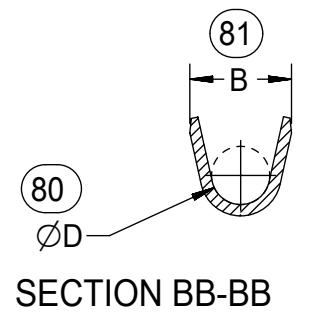
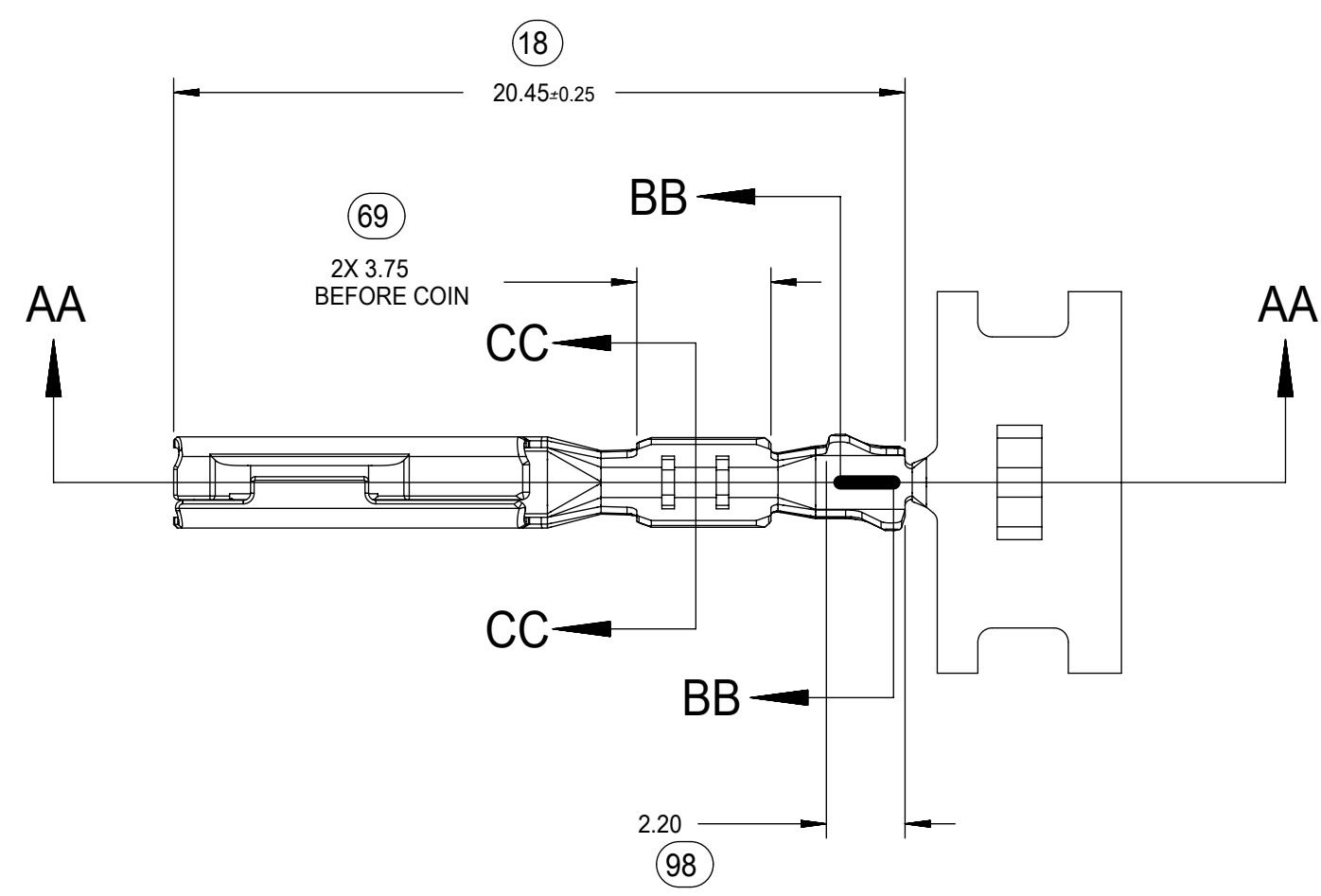
MATERIAL NUMBER | CUSTOMER

SEE TABLE | GENERAL MARKET | SHEET NUMBER

4 OF 5



ISO VIEW  
SCALE 2:1



SECTION AA-AA  
M3 GRIP CODE TERMINAL  
SEE TABLE (SHEET 2) FOR PART NUMBERS

CARRIER BUMP DIRECTION  
POINTS DOWN FOR TIN PLATED TERMINAL  
POINTS UP FOR PRECIOUS METAL PLATED TERMINAL

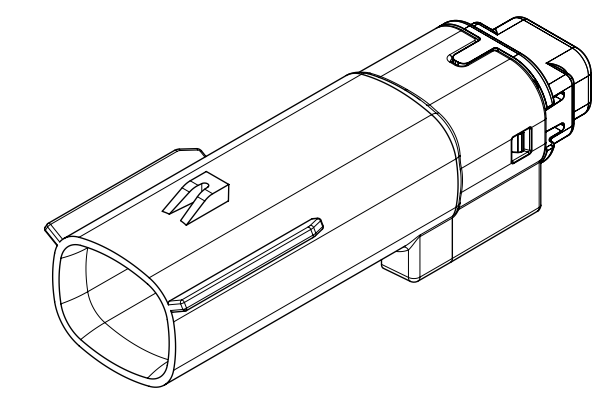
<b>SYMBOLS</b> ▽ = 0 ▽ = 0 ▽ = 0 ▽ = 0 ▽ = 0 ▽ = 0 ▽ = 0 ▽ = 0 ▽ = 0 ▽ = 0	THIS DRAWING CONTAINS INFORMATION THAT IS PROPRIETARY TO MOLEX ELECTRONIC TECHNOLOGIES, LLC AND SHOULD NOT BE USED WITHOUT WRITTEN PERMISSION		CURRENT REV DESC:			
	DIMENSION UNITS	SCALE				MX150 RECEPTACLE TERMINAL
	mm	5:1				
	GENERAL TOLERANCES (UNLESS SPECIFIED)		EC NO: 631014		PRODUCT CUSTOMER DRAWING	
	ANGULAR TOL ± 3.0°		DRWN: NVENKATESHSH 2019/05/11			
	4 PLACES ±		CHK'D: ADHIR 2020/03/06			
	3 PLACES ±		APPR: ADHIR 2020/03/06		DOCUMENT NUMBER: SD-33012-002 DOC TYPE: PSD DOC PART: 001 REVISION: C2	
	2 PLACES ± 0.10		INITIAL REVISION:			
	1 PLACE ± 0.3		DRWN: LPULLIAM 2005/06/21		MATERIAL NUMBER: SEE TABLE CUSTOMER: GENERAL MARKET SHEET NUMBER: 5 OF 5	
	0 PLACES ±		APPR: BMOSER 2005/06/22			
DRAFT WHERE APPLICABLE MUST REMAIN WITHIN DIMENSIONS		THIRD ANGLE PROJECTION	DRAWING	SERIES		
			C-SIZE	33012		

TABLE OF CONTENTS	
SHEET NO.	SHEET DESCRIPTION
1	NOTES AND BOM
2	CONFIGURATIONS
3-4	KEY CONFIGURATIONS
5	BLADE SEALED ASSEMBLY
6	SYSTEM PACKAGING
7	BACKSHELL NOTES
8	BACKSHELL
9	BACKSHELL CONFIGURATIONS

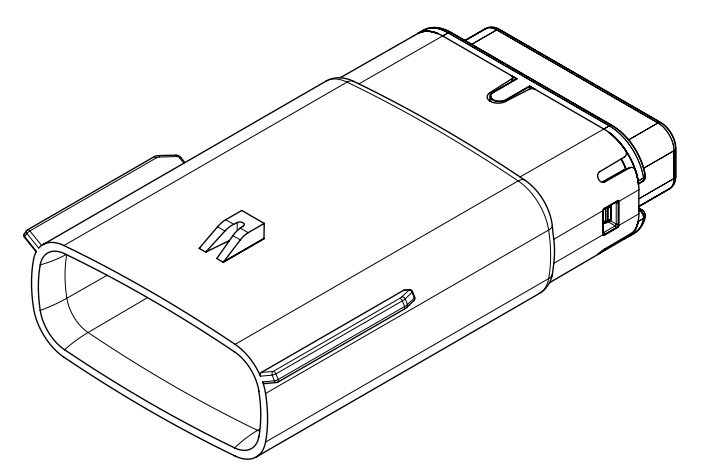
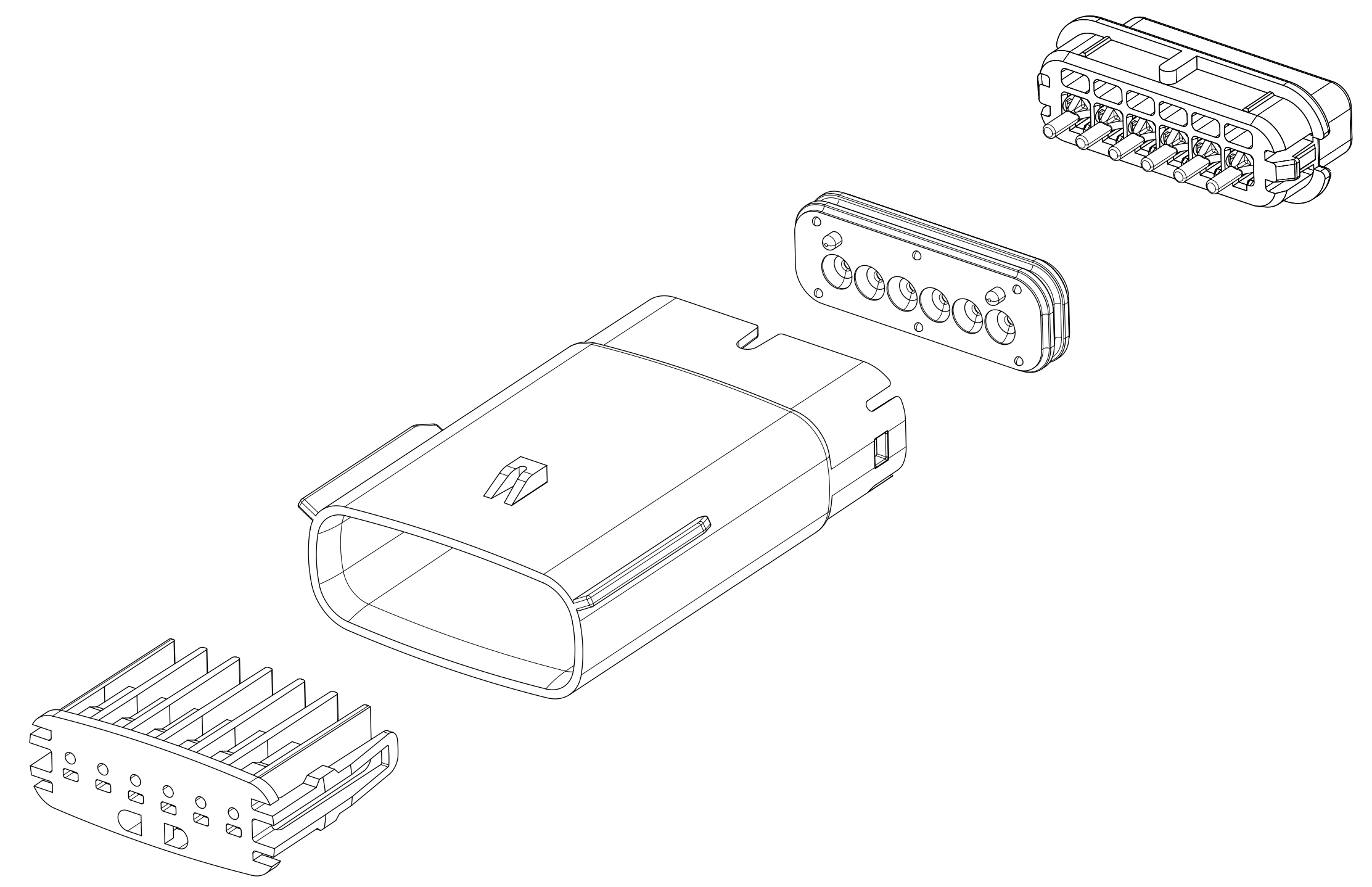
NOTES: VALID UNLESS OTHERWISE SPECIFIED

1. GENERAL:
- a. APPLICATION SPECIFICATION SEE: AS-33472-100
- CONTAINS: PRODUCT INTRODUCTION, PRODUCT SUMMARY, CONNECTOR ASSEMBLY, PACKAGING INFORMATION, CONNECTOR MATING, SERVICE INSTRUCTIONS, ELECTRICAL CONTINUITY CHECKING, CRIMPING, AND TROUBLESHOOTING.
  - DESIGNED TO MATE WITH RECEPTACLE SEALED ASSEMBLY AS SPECIFIED IN THE MATING CONNECTOR DRAWINGS CHART.
  - \*DENOTES DRAWINGS THAT CAN BE ACCESSED AT <http://ewcap.uscarteams.org/>
  - ASSEMBLY SHIPPED WITH PLR IN PRE-LOCK POSITION (SEE PLR PRE-LOCK VIEW SHEET 5).
- b. PRODUCT SPECIFICATION SEE:
- STANDARD CONFIGURATION: PS-33471-000
  - UL V0 CONFIGURATION: PS-160105-0001
  - CONTAINS: PRODUCT INTRODUCTION, PRODUCT SUMMARY, RATINGS (CURRENT, TEMPERATURE, SEALING, AND FLAMMABILITY), TERMINALS, WIRE DIAMETER RANGE, PRODUCT VALIDATION, AND PRODUCT DEVIATIONS.
- c. PACKAGING SPECIFICATION PER MOLEX DRAWING: PK-31300-635 (PK-33471-000 FOR 1X5)
- d. PARTS MUST BE IN COMPLIANCE TO MOLEX CHEMICAL SUBSTANCES FOR PRODUCTS AND PACKAGING SPECIFICATION: QEHS-699000-300
- e. DATA MUST BE SUBMITTED UNDER THE MOLEX PART NUMBER TO IMDS (COMPANY ID#13255)
2. DESIGN - MATERIALS:
- a. FOR BILL OF MATERIALS SEE:
- STANDARD CONFIGURATION: SD-33481-0002
  - UL V0 CONFIGURATION: SD-160106-0002
3. DESIGN - GEOMETRY:
- a. THE 3-D CAD DATA IS BASIC (WITHOUT TOLERANCE) AND MASTER FOR THIS PART WITH THE EXCEPTION OF UNDERLINED DIMENSIONS. DIMENSIONAL INFORMATION NOT SHOWN ON THIS DRAWING IS DEFINED BY THE DATA FILE AT ITS LATEST REVISION.
- b. GEOMETRIC DIMENSIONS AND TOLERANCES PER ASME Y14.5M-2009
- c. EDGES AND UNDIMENSIONED DETAILS PER ISO13715
- d. CORNERS SHOWN AS SHARP TO BE R 0.2 MAX.
- e. LETTERING SHALL BE 0.15 MAX RAISED IN 0.25 MAX RECESS PAD. THIS INCLUDES RECYCLING CODE, CAVITY ID, VENDOR IDENTIFICATION, AND CUSTOMER MATERIAL NUMBER.
- f. VISUAL DEFECTS SHALL MEET COSMETIC STANDARD PS-45499-002 (Class B).
- g. LASER MARKING:
1. PART NUMBER
  2. DAY OF THE YEAR
  3. SHIFT
  4. YEAR
- FOR ADDITIONAL INFORMATION SEE SECTION 5 UNDER PROCEDURES IN ES-34735-008.

MATING CONNECTOR DRAWINGS	
DESCRIPTION	MOLEX INLINE
1X2	SD-33471-0001
1X6	SD-33471-0001



1X2

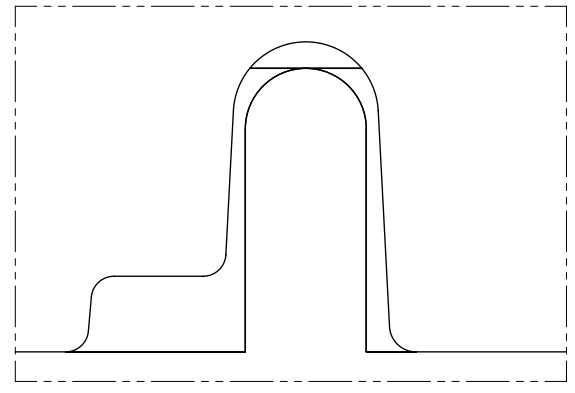


1X6

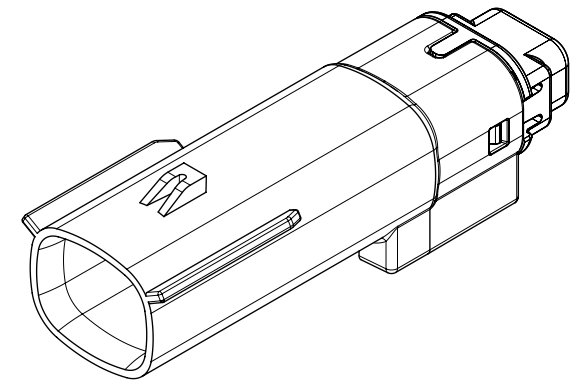
INSPECTION NUMBER LOG	
LAST NUMBER: 9	ADDED:
REMOVED:	REV
A1	NX REMASTERING , CHANGE PS DRAWING NUMBER FROM PS-160105-0001 TO PS-160074-0001 IN NOTES 1.b
A	MINOR GEOMETRY CHANGE FOR UL V0
2	UPDATED VIEWSETS
1	INITIAL RELEASE
REV	REV DESCRIPTION

<b>SYMBOLS</b> = 0 = 0 = 0 = 0 = 0 = 0 = 0 = 0 = 0	THIS DRAWING CONTAINS INFORMATION THAT IS PROPRIETARY TO MOLEX ELECTRONIC TECHNOLOGIES, LLC AND SHOULD NOT BE USED WITHOUT WRITTEN PERMISSION DIMENSION UNITS: <b>MM ONLY</b> SCALE: <b>1.5:1</b>	CURRENT REV DESC: EC NO: 602373 DRWN: DSHETTY01 2018/05/25 CHK'D: MVANSLAMBROU 2018/10/04 APPR: MVANSLAMBROU 2018/10/04 INITIAL REVISION: DRWN: APROFFITT 2015/07/21 APPR: KDEKOSKI 2016/06/14	 MX150 BLADE SINGLE ROW SEALED ASSY MAT SEAL PRODUCT CUSTOMER DRAWING		
	GENERAL TOLERANCES (UNLESS SPECIFIED) ANGULAR TOL ± 1.0° 4 PLACES ± 3 PLACES ± 2 PLACES ± 0.1 1 PLACE ± 0.2 0 PLACES ±	DRAFT WHERE APPLICABLE MUST REMAIN WITHIN DIMENSIONS THIRD ANGLE PROJECTION 	DRAWING: <b>A1-SIZE</b> SERIES: <b>33481</b>	DOCUMENT NUMBER: <b>SD-33481-0001</b> DOC TYPE: PSD DOC PART: 001 REVISION: <b>A1</b>	MATERIAL NUMBER: SEE NOTE 2a. CUSTOMER: GENERAL MARKET SHEET NUMBER: 1 OF 9
	DOCUMENT STATUS: P1 RELEASE DATE: 2018/10/04 15:02:02				
	18 17 16 15 14 13 12 11 10 9 8 7 6 5 4 3 2 1				

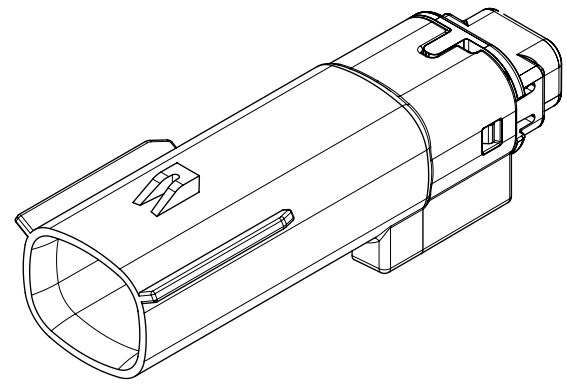
**SHEET DESCRIPTION**  
CONFIGURATIONS



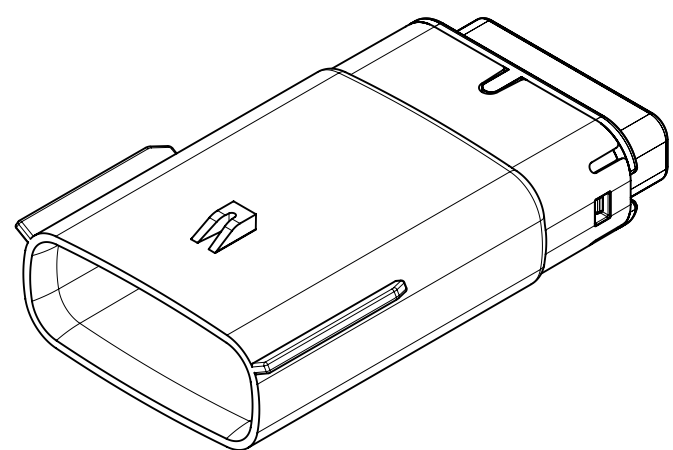
UL V0 UNIQUE FEATURE  
Partial1  
SCALE 10:1



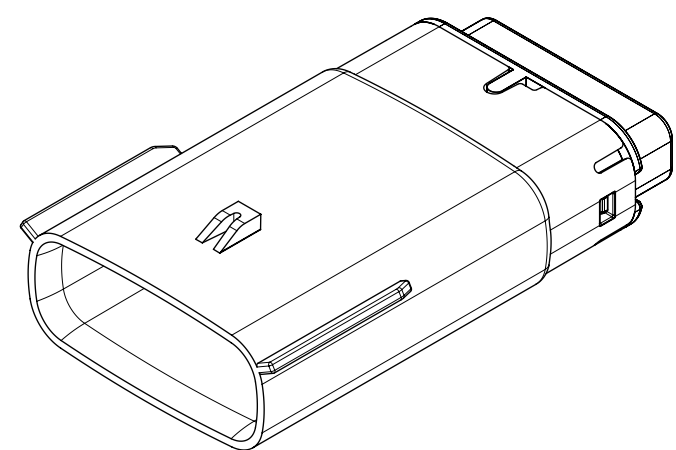
1x2 - STD



1X2 - UL V0\*



1x6 - STD

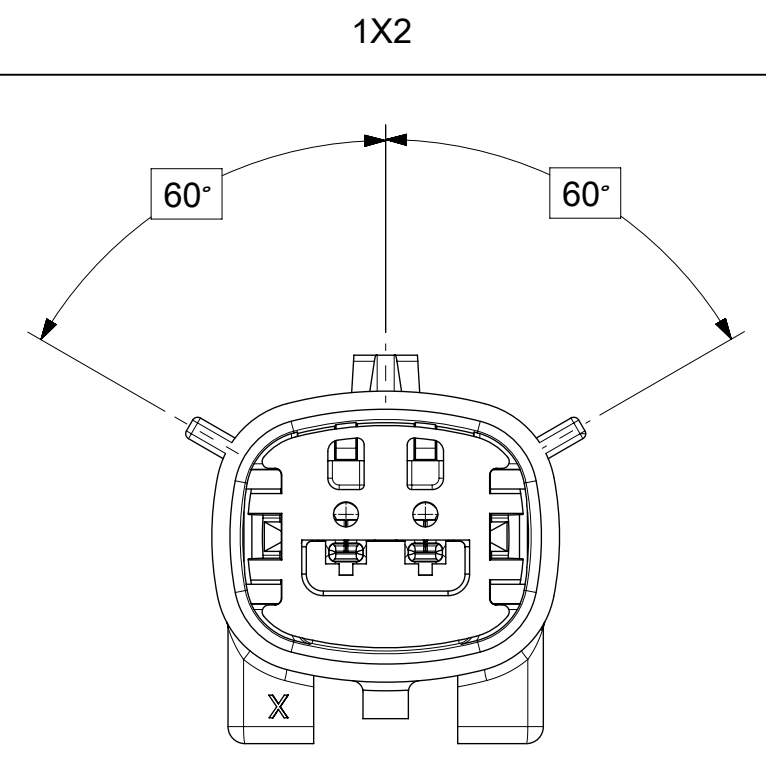


1x6 - UL V0\*

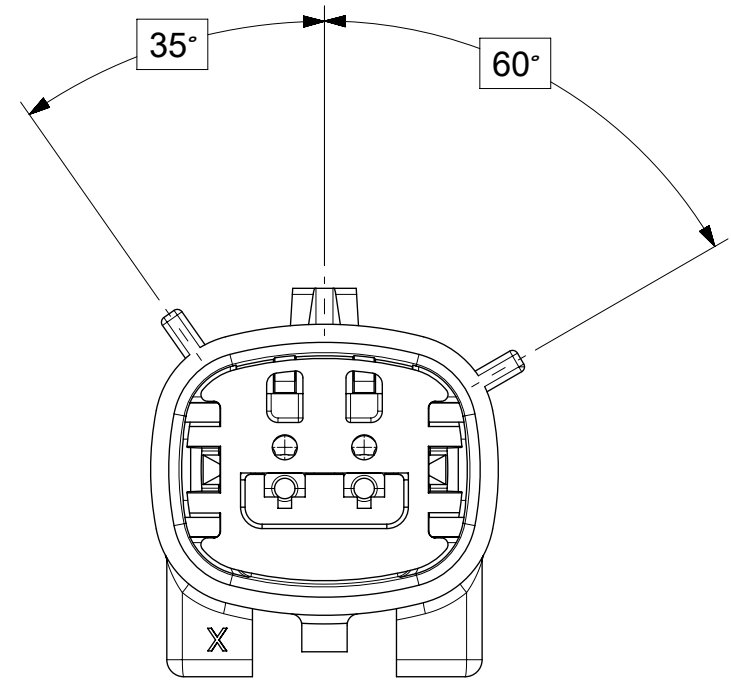
\* MINOR GEOMETRY DIFFERENCE THAN STANDARD CONFIGURATION.  
SEE NOTES 1 & 2 FOR MORE INFORMATION

SYMBOLS	THIS DRAWING CONTAINS INFORMATION THAT IS PROPRIETARY TO MOLEX ELECTRONIC TECHNOLOGIES, LLC AND SHOULD NOT BE USED WITHOUT WRITTEN PERMISSION		CURRENT REV DESC:						
	DIMENSION UNITS	SCALE							EC NO: 602373
▽ = 0	MM ONLY	1.5:1	GENERAL TOLERANCES (UNLESS SPECIFIED)	CHK'D: MVANSLAMBROU	2018/10/04	SD-33481-0001	PSD	001	A1
▽ = 0	ANGULAR TOL ± 1.0°		APPR: MVANSLAMBROU	2018/10/04	PRODUCT CUSTOMER DRAWING				
▽ = 0	4 PLACES ±		INITIAL REVISION:	DRWN: APROFFITT	2015/07/21	SEE NOTE 2a.	CUSTOMER	GENERAL MARKET	SHEET NUMBER
▽ = 0	3 PLACES ±		APPR: KDEKOSKI	2016/06/14	2 OF 9				
▽ = 0	2 PLACES ± 0.1		DRAFT WHERE APPLICABLE MUST REMAIN WITHIN DIMENSIONS	THIRD ANGLE PROJECTION	DRAWING	SERIES			
▽ = 0	1 PLACE ± 0.2		⊕	A1-SIZE	33481				
▽ = 0	0 PLACES ±								
▽ = 0									

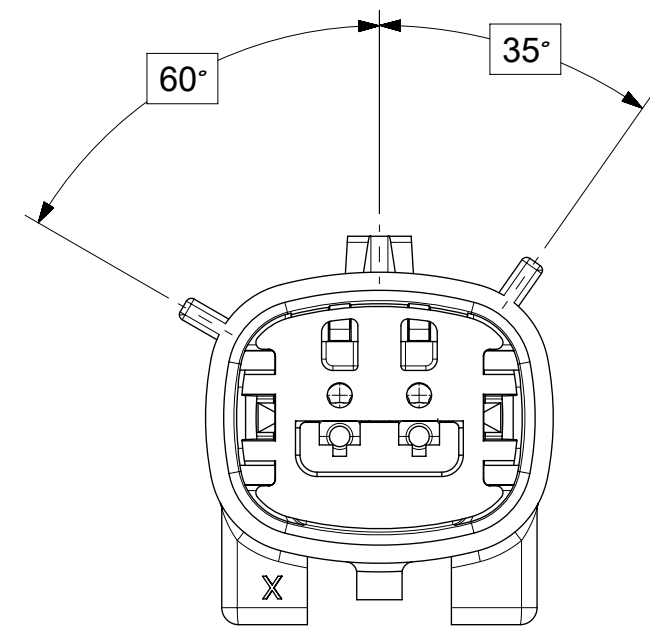
**SHEET DESCRIPTION**  
KEY CONFIGURATIONS



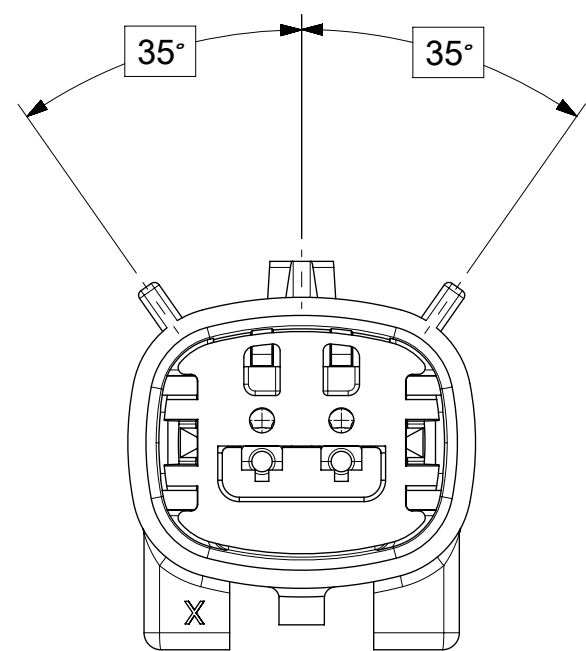
KEY A



KEY B



KEY C



KEY D

SYMBOLS	THIS DRAWING CONTAINS INFORMATION THAT IS PROPRIETARY TO MOLEX ELECTRONIC TECHNOLOGIES, LLC AND SHOULD NOT BE USED WITHOUT WRITTEN PERMISSION		
	DIMENSION UNITS	SCALE	CURRENT REV DESC:
= 0	MM ONLY	3:1	EC NO: 602373 DRWN: DSHETTY01 2018/05/25 CHK'D: MVANSLAMBROU 2018/10/04 APPR: MVANSLAMBROU 2018/10/04
= 0	GENERAL TOLERANCES (UNLESS SPECIFIED)		
= 0	ANGULAR TOL ± 1.0°		
= 0	4 PLACES ±		
= 0	3 PLACES ±		INITIAL REVISION: DRWN: APROFFITT 2015/07/21 APPR: KDEKOSKI 2016/06/14
= 0	2 PLACES ± 0.1		
= 0	1 PLACE ± 0.2		DOCUMENT NUMBER <b>SD-33481-0001</b>
= 0	0 PLACES ±		
= 0	DRAFT WHERE APPLICABLE MUST REMAIN WITHIN DIMENSIONS	THIRD ANGLE PROJECTION	MATERIAL NUMBER SEE NOTE 2a.
= 0		DRAWING SERIES A1-SIZE 33481	
			SHEET NUMBER 3 OF 9

**molex**

MX150 BLADE  
SINGLE ROW SEALED ASSY MAT SEAL

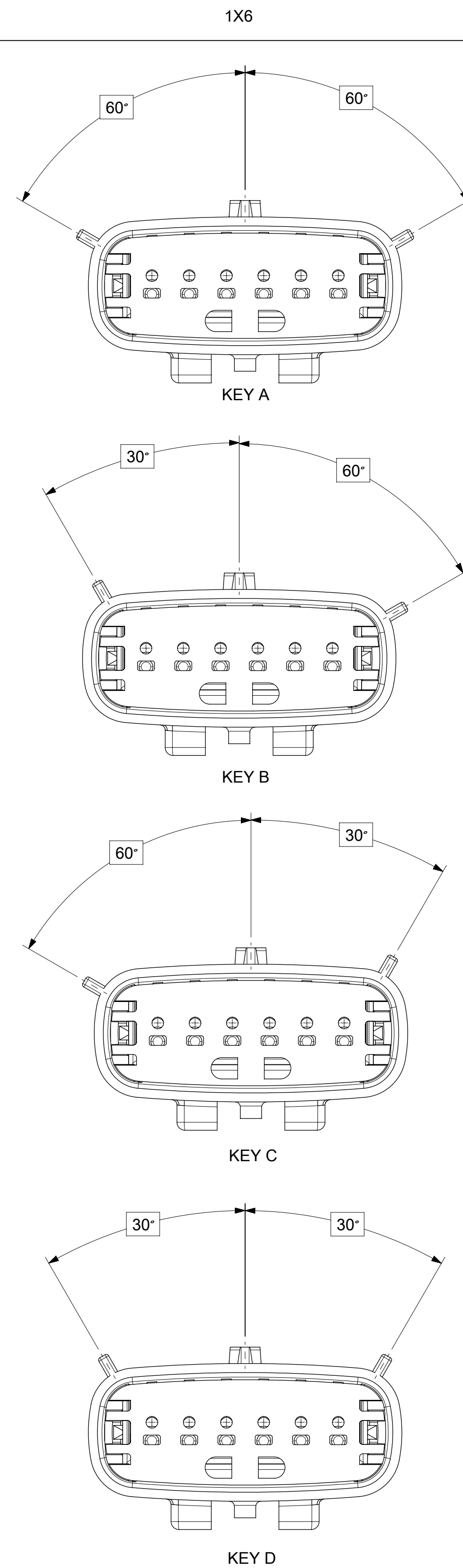
PRODUCT CUSTOMER DRAWING

DOCUMENT NUMBER: SD-33481-0001  
DOC TYPE: PSD | DOC PART: 001 | REVISION: A1

MATERIAL NUMBER: SEE NOTE 2a. | CUSTOMER: GENERAL MARKET | SHEET NUMBER: 3 OF 9



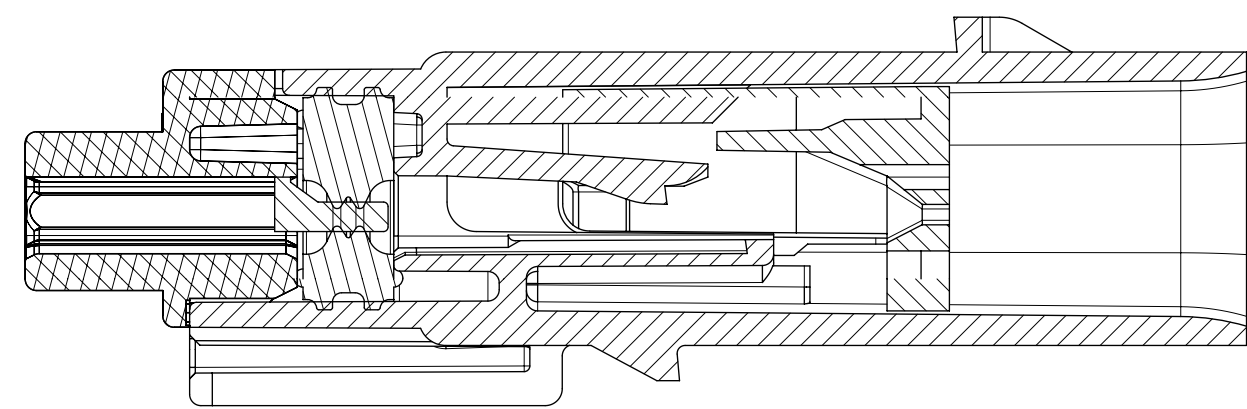
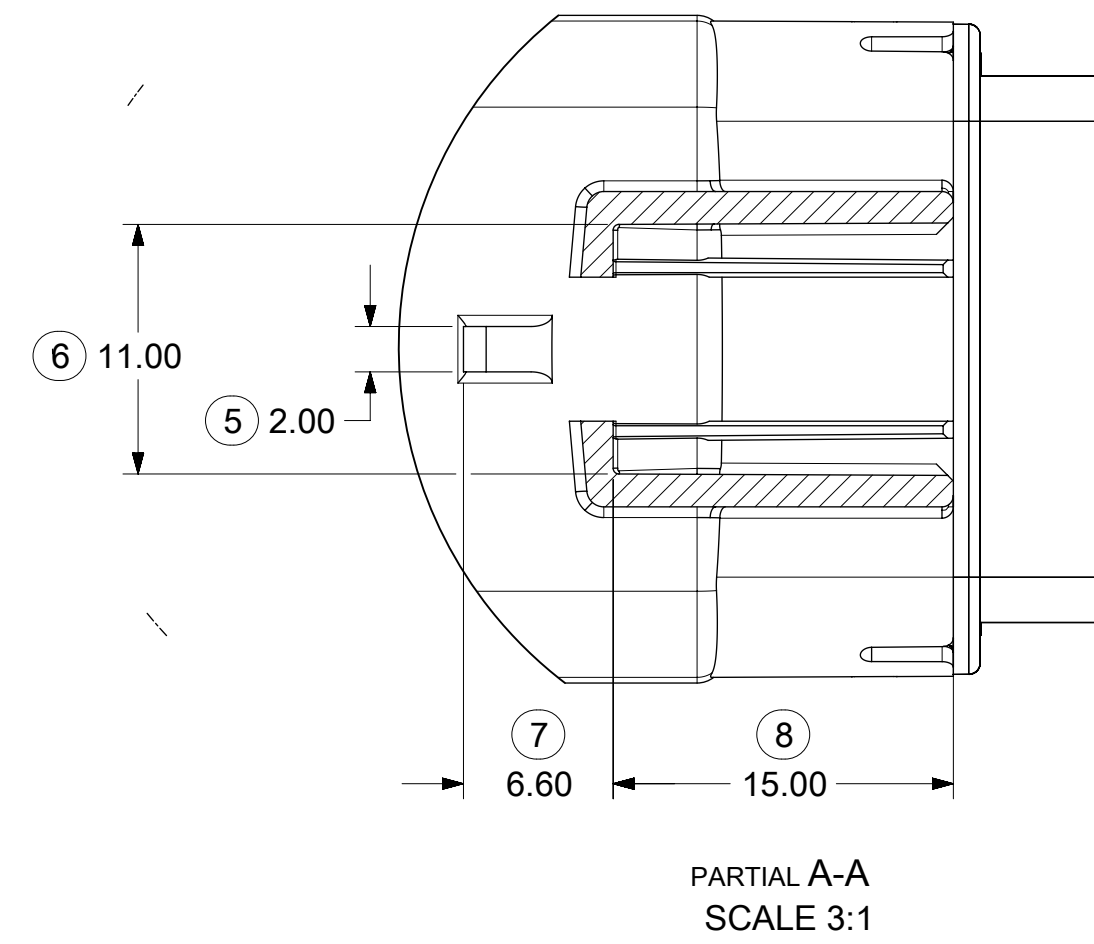
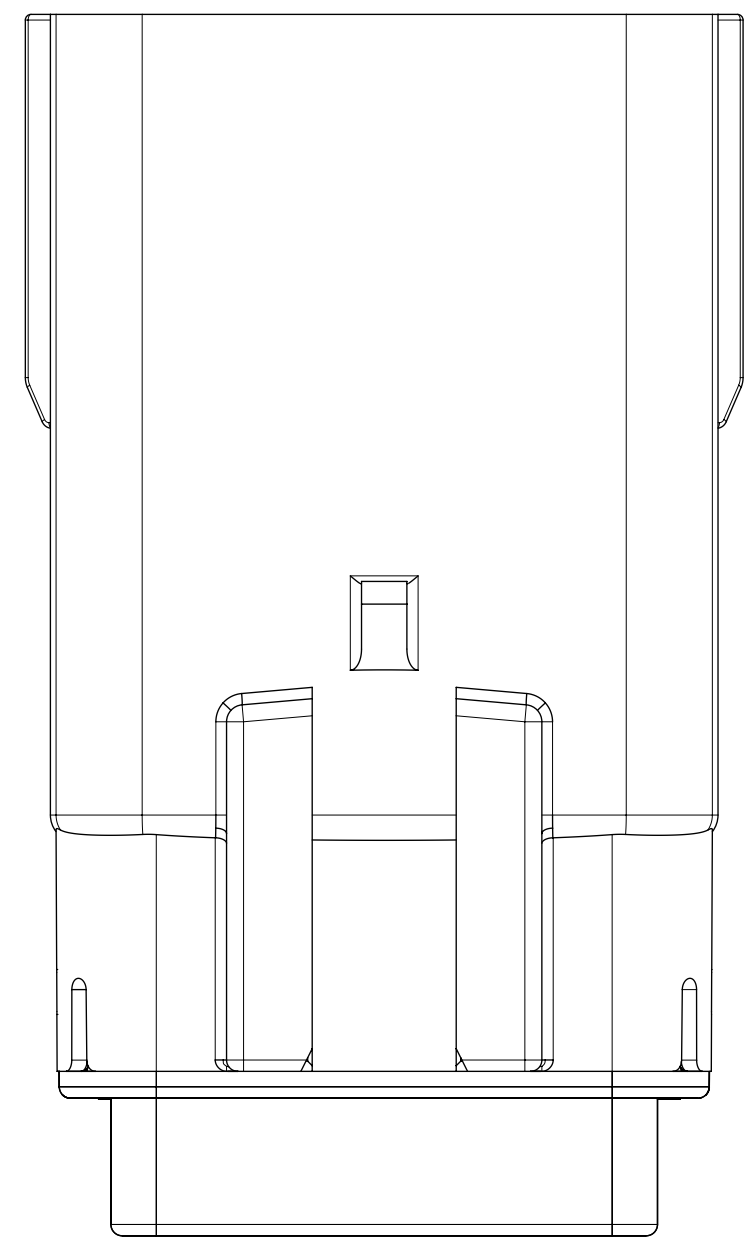
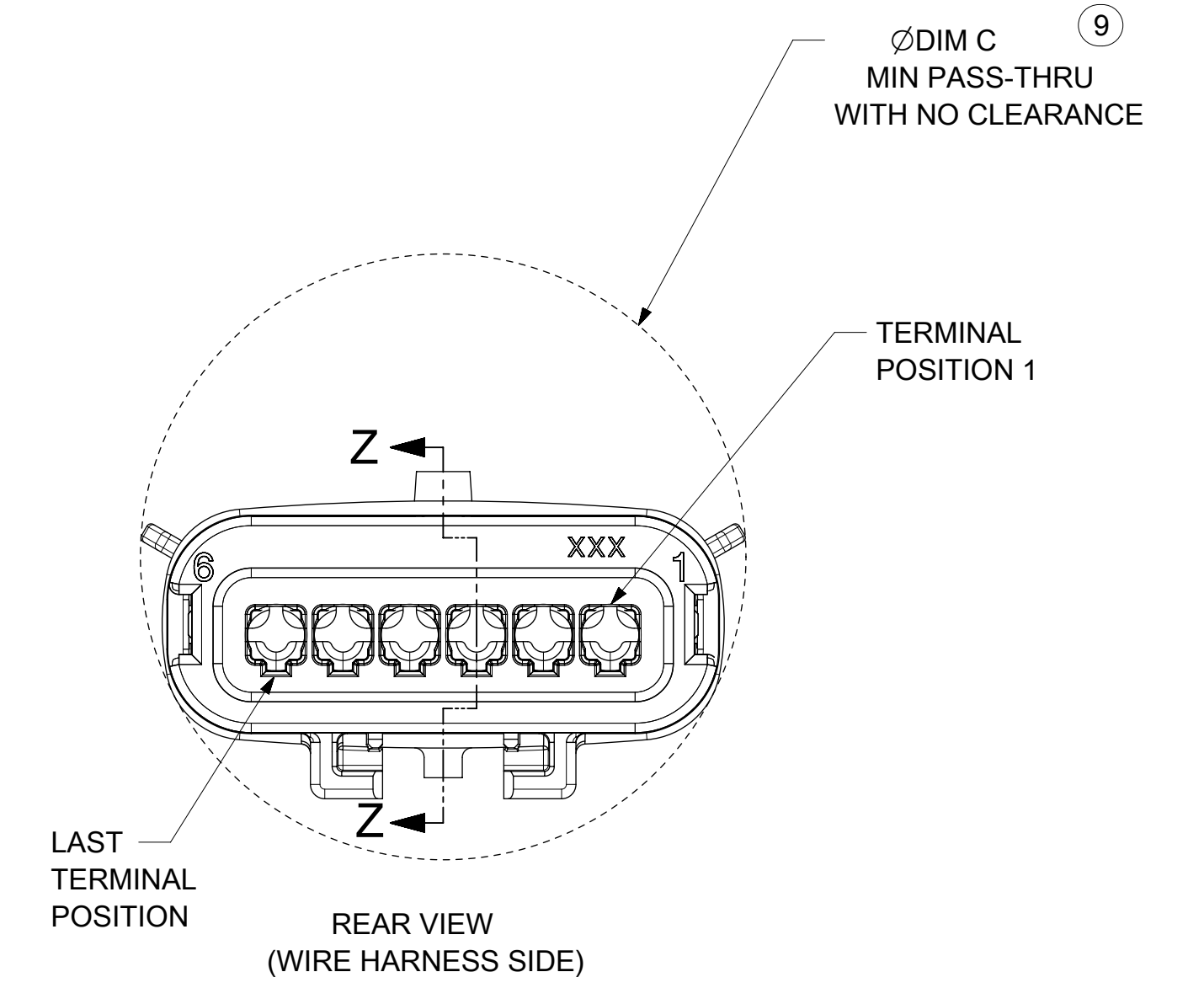
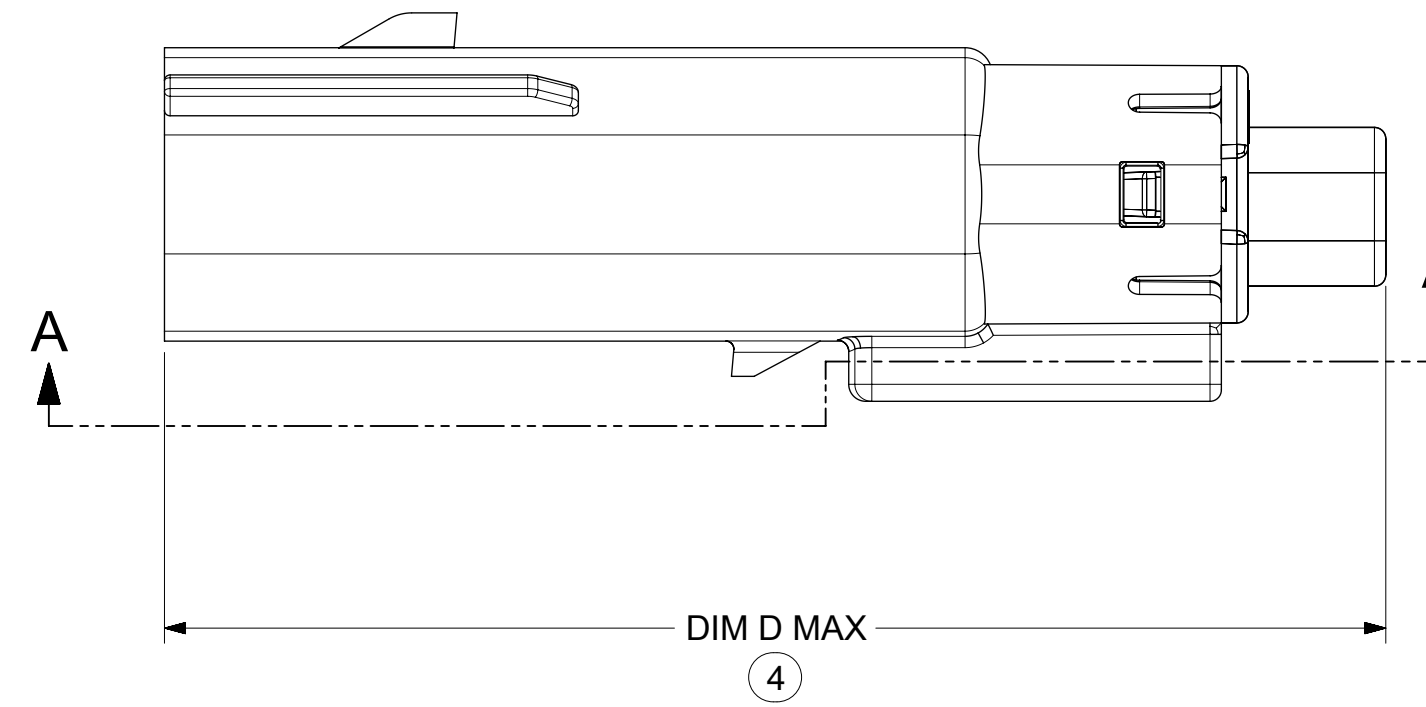
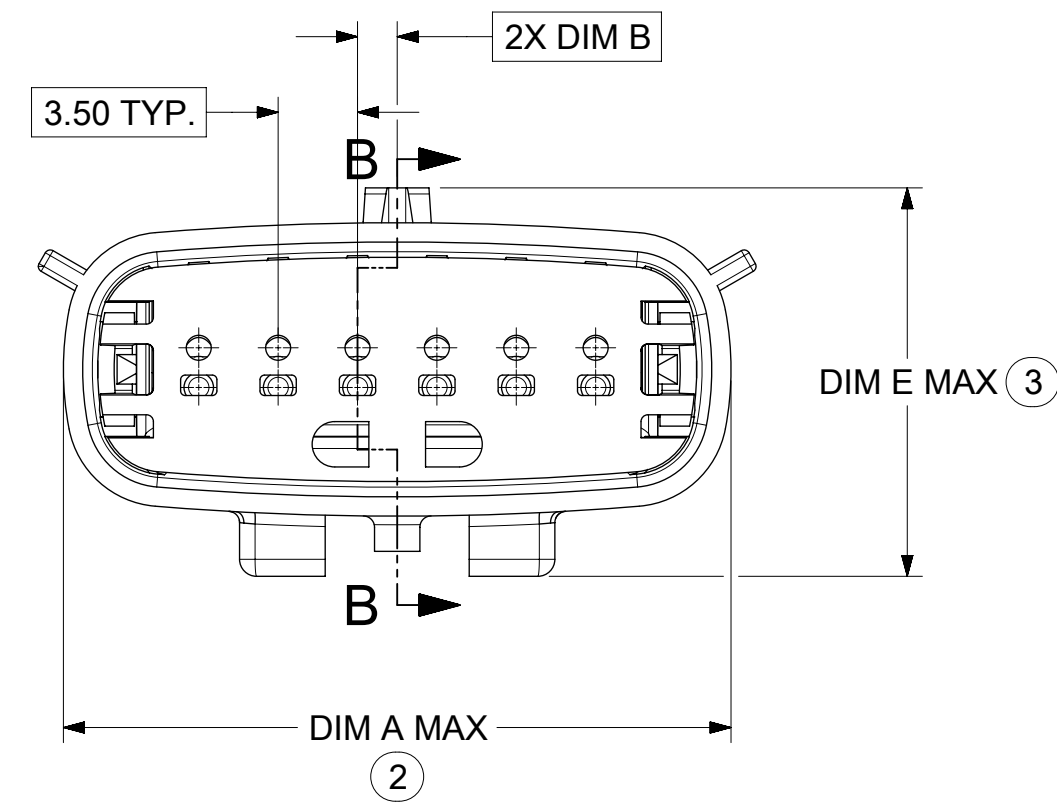
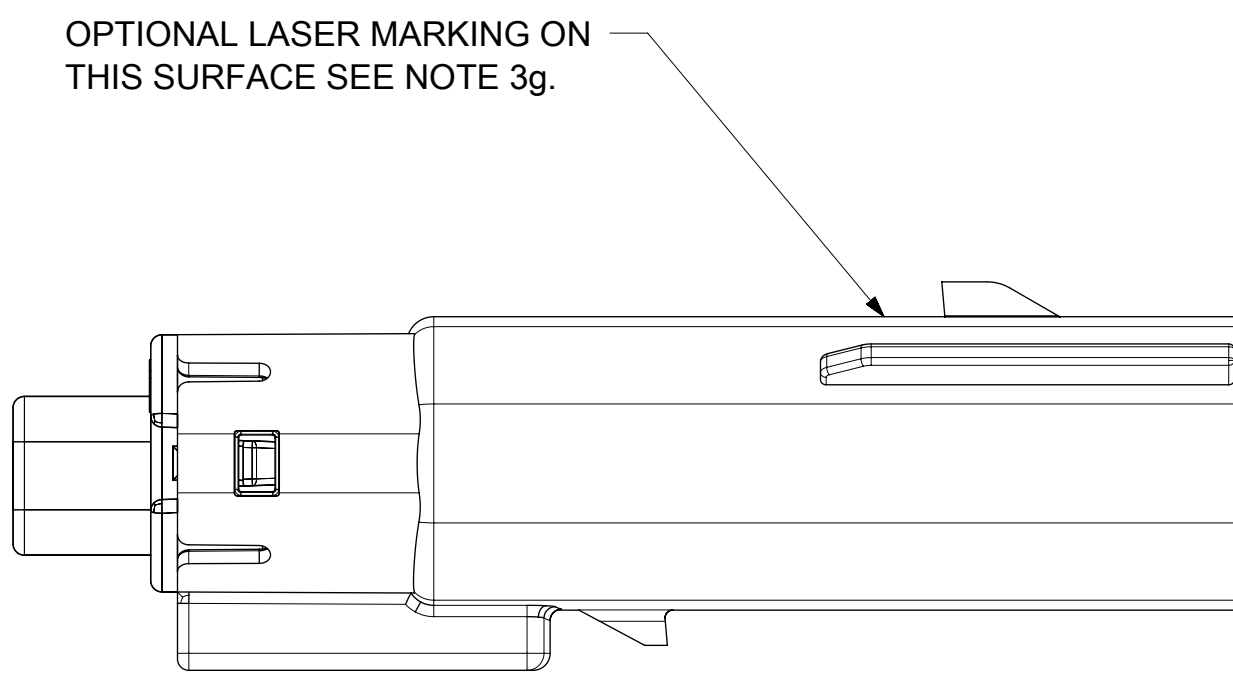
**SHEET DESCRIPTION**  
KEY CONFIGURATIONS CONT.



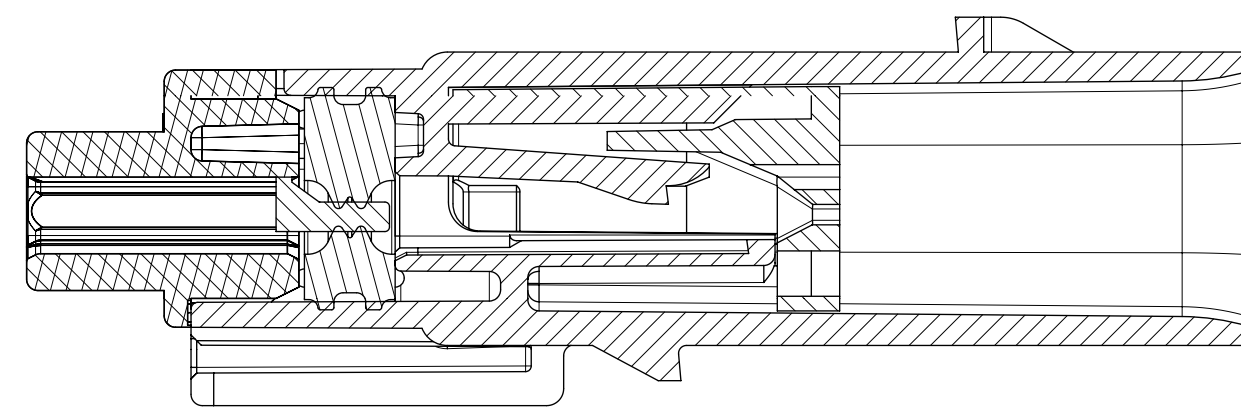
<b>SYMBOLS</b> = 0 = 0 = 0 = 0 = 0 = 0 = 0 = 0 = 0	THIS DRAWING CONTAINS INFORMATION THAT IS PROPRIETARY TO MOLEX ELECTRONIC TECHNOLOGIES, LLC AND SHOULD NOT BE USED WITHOUT WRITTEN PERMISSION DIMENSION UNITS: <b>MM ONLY</b> SCALE: <b>3:1</b>	CURRENT REV DESC: EC NO: 602373 DRWN: DSHETTY01 2018/05/25 CHK'D: MVANSLAMBROU 2018/10/04 APPR: MVANSLAMBROU 2018/10/04	 MX150 BLADE SINGLE ROW SEALED ASSY MAT SEAL		
	GENERAL TOLERANCES (UNLESS SPECIFIED) ANGULAR TOL ± 1.0° 4 PLACES ± 3 PLACES ± 2 PLACES ± 0.1 1 PLACE ± 0.2 0 PLACES ±	INITIAL REVISION: DRWN: APROFFITT 2015/07/21 APPR: KDEKOSKI 2016/06/14			
DRAFT WHERE APPLICABLE MUST REMAIN WITHIN DIMENSIONS 	THIRD ANGLE PROJECTION 	DRAWING: <b>A1-SIZE</b> SERIES: <b>33481</b>	MATERIAL NUMBER: SEE NOTE 2a. CUSTOMER: GENERAL MARKET SHEET NUMBER: 4 OF 9		

**SHEET DESCRIPTION**  
BLADE SEALED ASSEMBLY

DESCRIPTION	DIMENSIONS				
	A	B	C	D	E
1X2	N/A	1.75	21.00	55.50	17.30
1X6	29.69	1.75	31.71	54.45	17.23



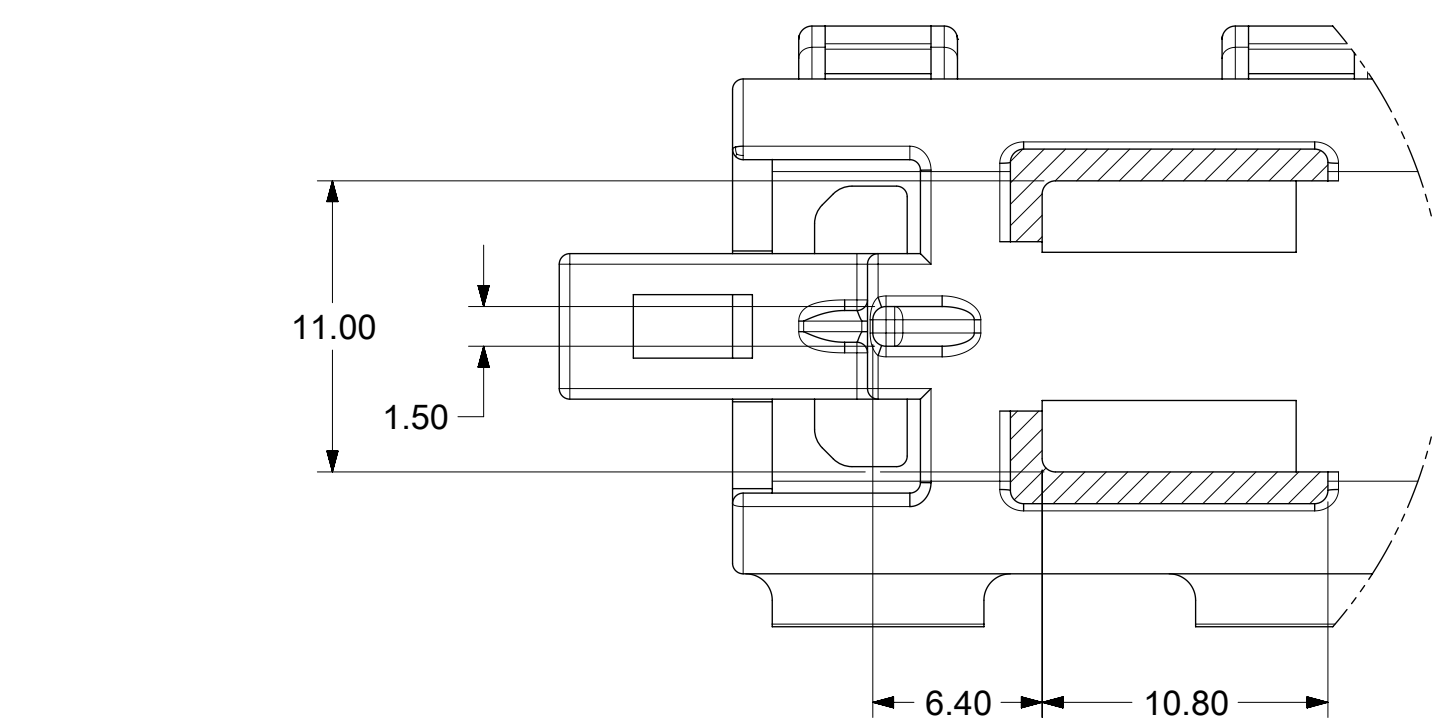
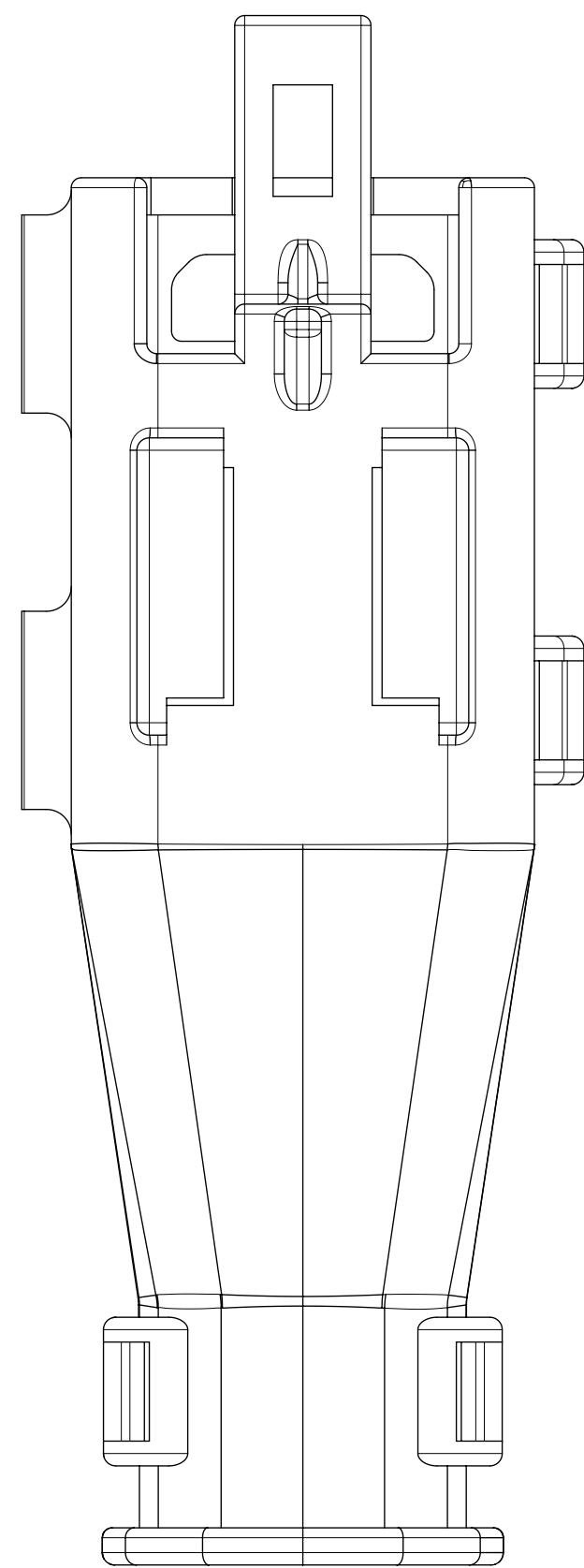
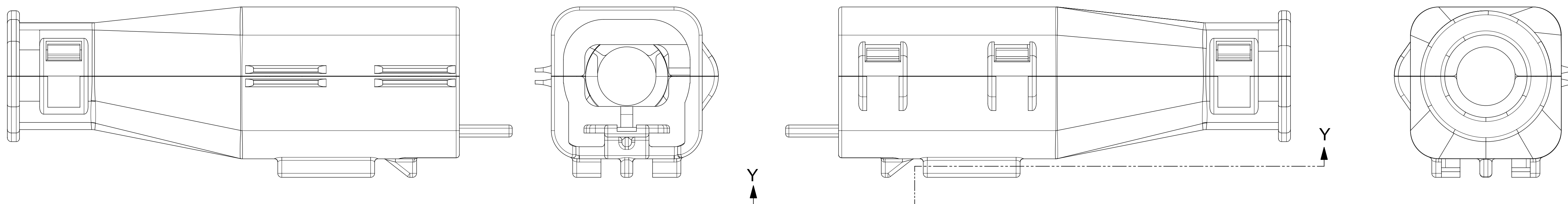
PRIMARY LOCK REINFORCEMENT (PLR) SHOWN  
IN PRE-STAGED POSITION  
SECTION B-B



PRIMARY LOCK REINFORCEMENT (PLR) SHOWN  
IN FINAL-LOCK POSITION  
SECTION Z-Z

<b>SYMBOLS</b> THIS DRAWING CONTAINS INFORMATION THAT IS PROPRIETARY TO MOLEX ELECTRONIC TECHNOLOGIES, LLC AND SHOULD NOT BE USED WITHOUT WRITTEN PERMISSION DIMENSION UNITS: MM ONLY SCALE: 3:1 GENERAL TOLERANCES (UNLESS SPECIFIED): ANGULAR TOL: ± 1.0° 4 PLACES ± 3 PLACES ± 2 PLACES ± 0.1 1 PLACE ± 0.2 0 PLACES ± DRAFT WHERE APPLICABLE MUST REMAIN WITHIN DIMENSIONS	CURRENT REV DESC:					
	EC NO: 602373 DRWN: DSHETTY01 2018/05/25 CHK'D: MVANSLAMBROU 2018/10/04 APPR: MVANSLAMBROU 2018/10/04 INITIAL REVISION: DRWN: APROFFITT 2015/07/21 APPR: KDEKOSKI 2016/06/14					
DOCUMENT NUMBER: SD-33481-0001 DOC TYPE: PSD DOC PART: 001 REVISION: A1			PRODUCT CUSTOMER DRAWING			
MATERIAL NUMBER: SEE NOTE 2a. CUSTOMER: GENERAL MARKET		DRAWING: A1-SIZE SERIES: 33481		SHEET NUMBER: 5 OF 9		

**SHEET DESCRIPTION**  
BACKSHELL

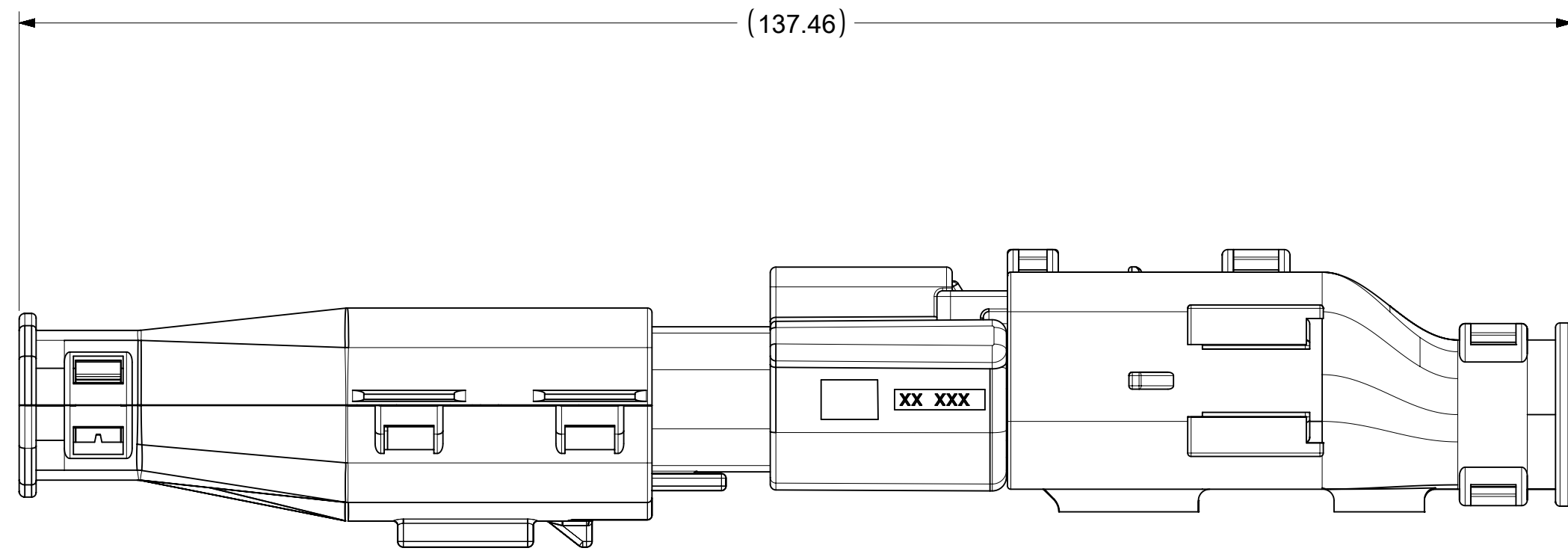


PARTIAL Y-Y  
SCALE 3.5:1

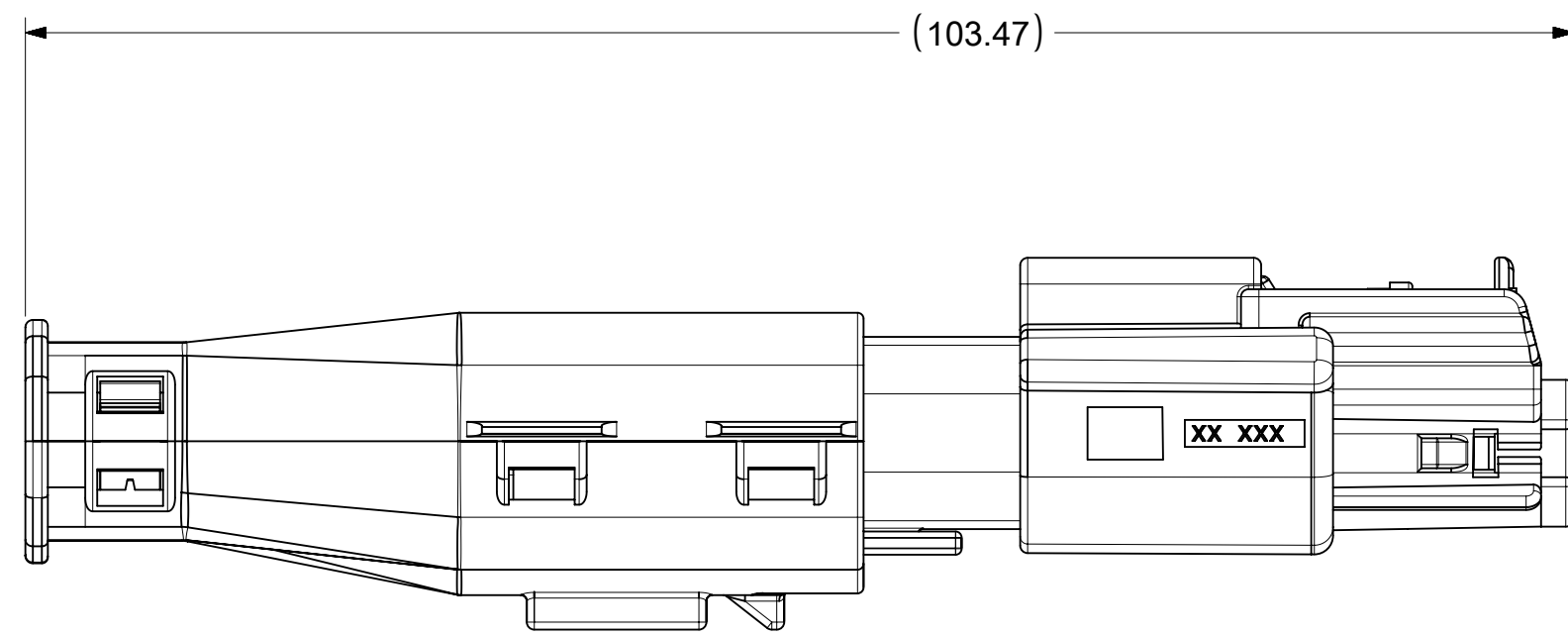
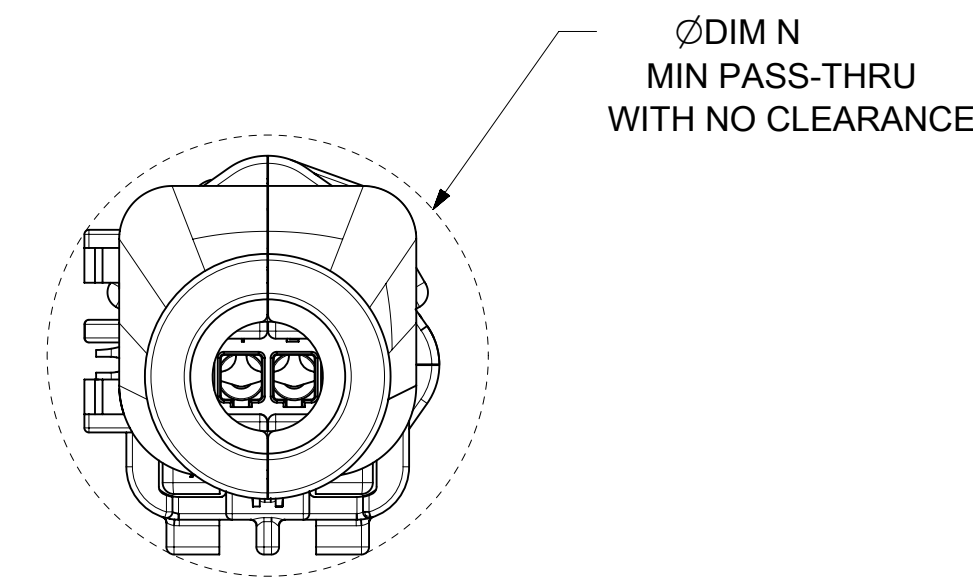
<b>SYMBOLS</b> ▽ = 0 ▽ = 0 ▽ = 0 ▽ = 0 ▽ = 0 ▽ = 0 ▽ = 0 ▽ = 0 ▽ = 0 ▽ = 0 ▽ = 0 ▽ = 0	THIS DRAWING CONTAINS INFORMATION THAT IS PROPRIETARY TO MOLEX ELECTRONIC TECHNOLOGIES, LLC AND SHOULD NOT BE USED WITHOUT WRITTEN PERMISSION	DIMENSION UNITS: <b>MM ONLY</b> SCALE: <b>3.5:1</b>	<b>CURRENT REV DESC:</b> EC NO: 602373 DRWN: DSHETTY01 2018/05/25 CHK'D: MVANSLAMBROU 2018/10/04 APPR: MVANSLAMBROU 2018/10/04					
	GENERAL TOLERANCES (UNLESS SPECIFIED) ANGULAR TOL ± 1.0° 4 PLACES ± 3 PLACES ± 2 PLACES ± 0.1 1 PLACE ± 0.2 0 PLACES ±	INITIAL REVISION: DRWN: APROFFITT 2015/07/21 APPR: KDEKOSKI 2016/06/14			DOCUMENT NUMBER: <b>SD-33481-0001</b>			
	DRAFT WHERE APPLICABLE MUST REMAIN WITHIN DIMENSIONS THIRD ANGLE PROJECTION DRAWING: A1-SIZE SERIES: 33481	MATERIAL NUMBER: SEE NOTE 2a.	CUSTOMER: GENERAL MARKET	SHEET NUMBER: 8 OF 9				

**SHEET DESCRIPTION**  
BACKSHELL CONFIGURATIONS

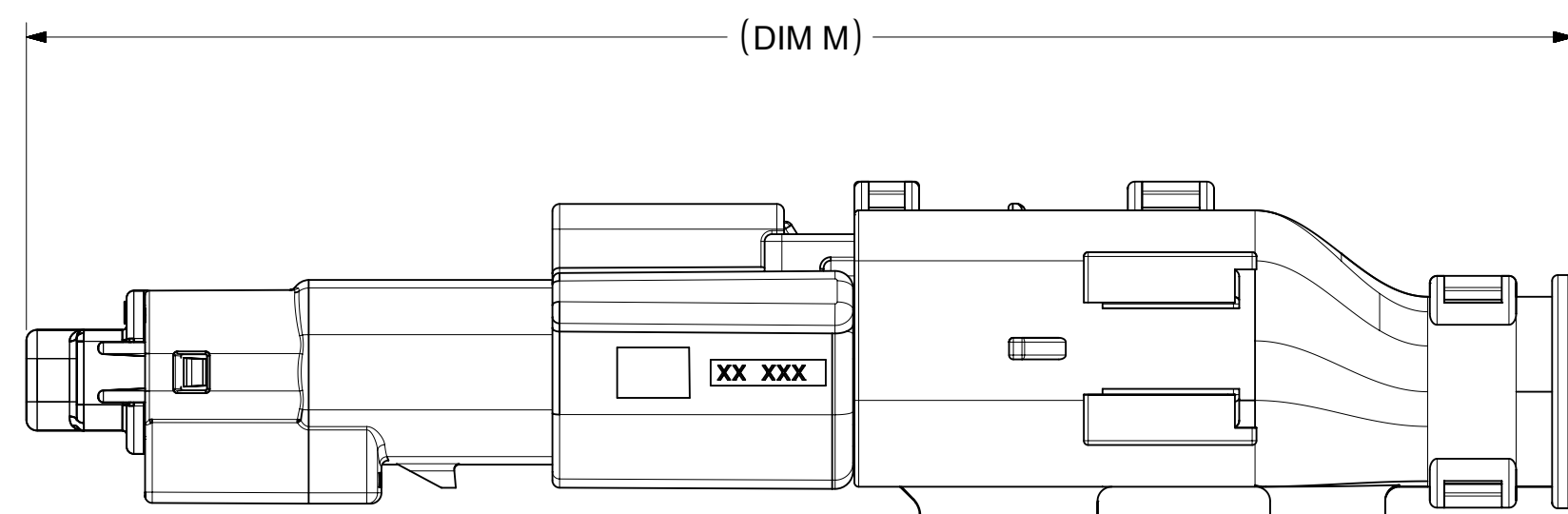
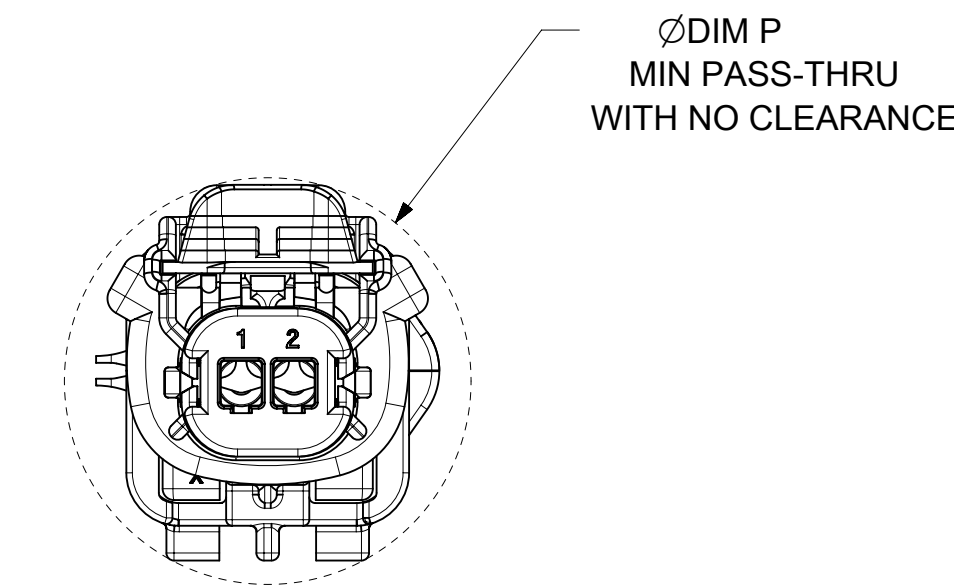
CKT	BLADE CONFIGURATION	RECEPTACLE CONFIGURATION	DIMENSIONS				
			M	N	P	R	S
1X2	STANDARD	STANDARD	107.84	29.50	27.00	26.25	25.00



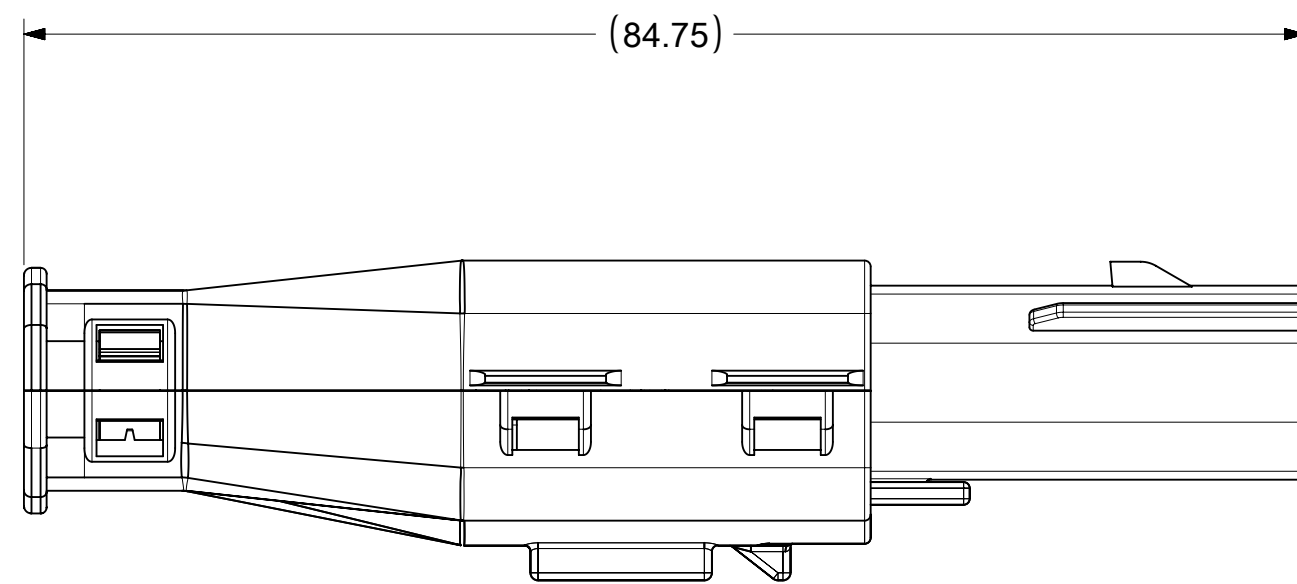
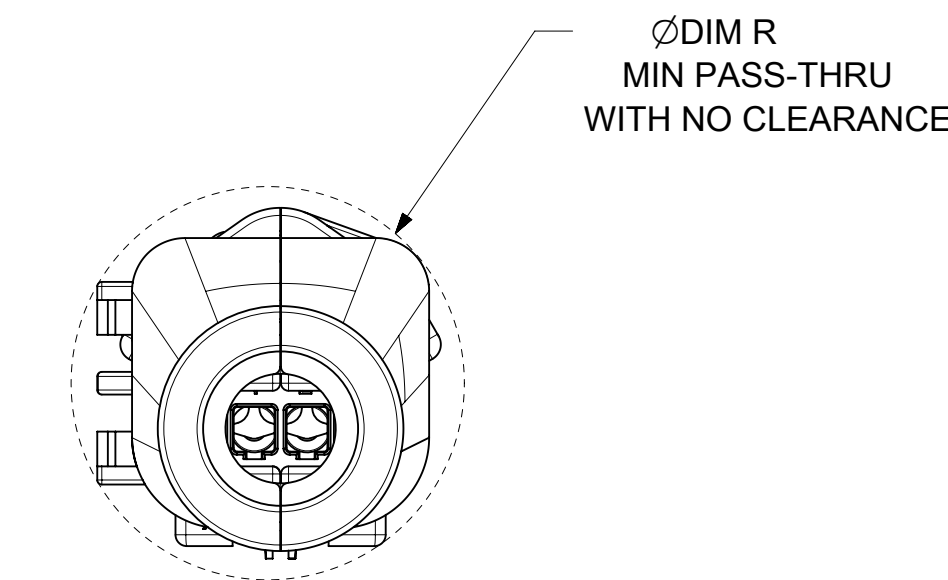
OVERALL MATED SYSTEM WITH BLADE AND RECEPTACLE BACKSHELL



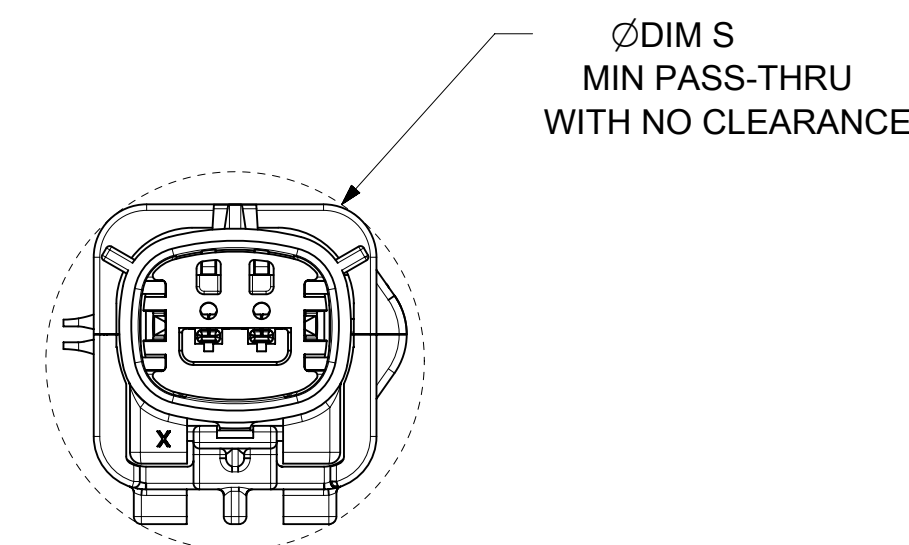
OVERALL MATED SYSTEM WITH BLADE BACKSHELL



OVERALL MATED SYSTEM WITH RECEPTACLE BACKSHELL



BLADE SEALED ASSEMBLY WITH BLADE BACKSHELL



<b>SYMBOLS</b> = 0 = 0 = 0 = 0 = 0 = 0	THIS DRAWING CONTAINS INFORMATION THAT IS PROPRIETARY TO MOLEX ELECTRONIC TECHNOLOGIES, LLC AND SHOULD NOT BE USED WITHOUT WRITTEN PERMISSION DIMENSION UNITS: <b>MM ONLY</b> SCALE: <b>2:1</b>	CURRENT REV DESC: EC NO: 602373 DRWN: DSHETTY01 2018/05/25 CHK'D: MVANSLAMBROU 2018/10/04 APPR: MVANSLAMBROU 2018/10/04	 MX150 BLADE SINGLE ROW SEALED ASSY MAT SEAL		
	GENERAL TOLERANCES (UNLESS SPECIFIED) ANGULAR TOL ± 1.0° 4 PLACES ± 3 PLACES ± 2 PLACES ± 0.1 1 PLACE ± 0.2 0 PLACES ±	INITIAL REVISION: DRWN: APROFFITT 2015/07/21 APPR: KDEKOSKI 2016/06/14	PRODUCT CUSTOMER DRAWING DOCUMENT NUMBER: <b>SD-33481-0001</b> DOC TYPE: PSD DOC PART: 001 REVISION: <b>A1</b>	MATERIAL NUMBER: SEE NOTE 2a. CUSTOMER: GENERAL MARKET SHEET NUMBER: 9 OF 9	
DRAFT WHERE APPLICABLE MUST REMAIN WITHIN DIMENSIONS 	THIRD ANGLE PROJECTION 	DRAWING: <b>A1-SIZE</b> SERIES: <b>33481</b>			