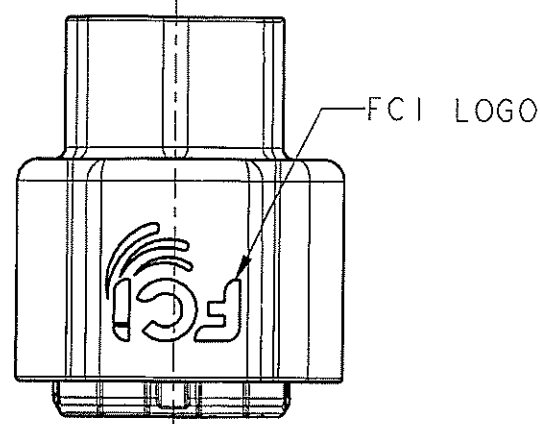


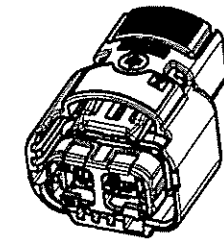
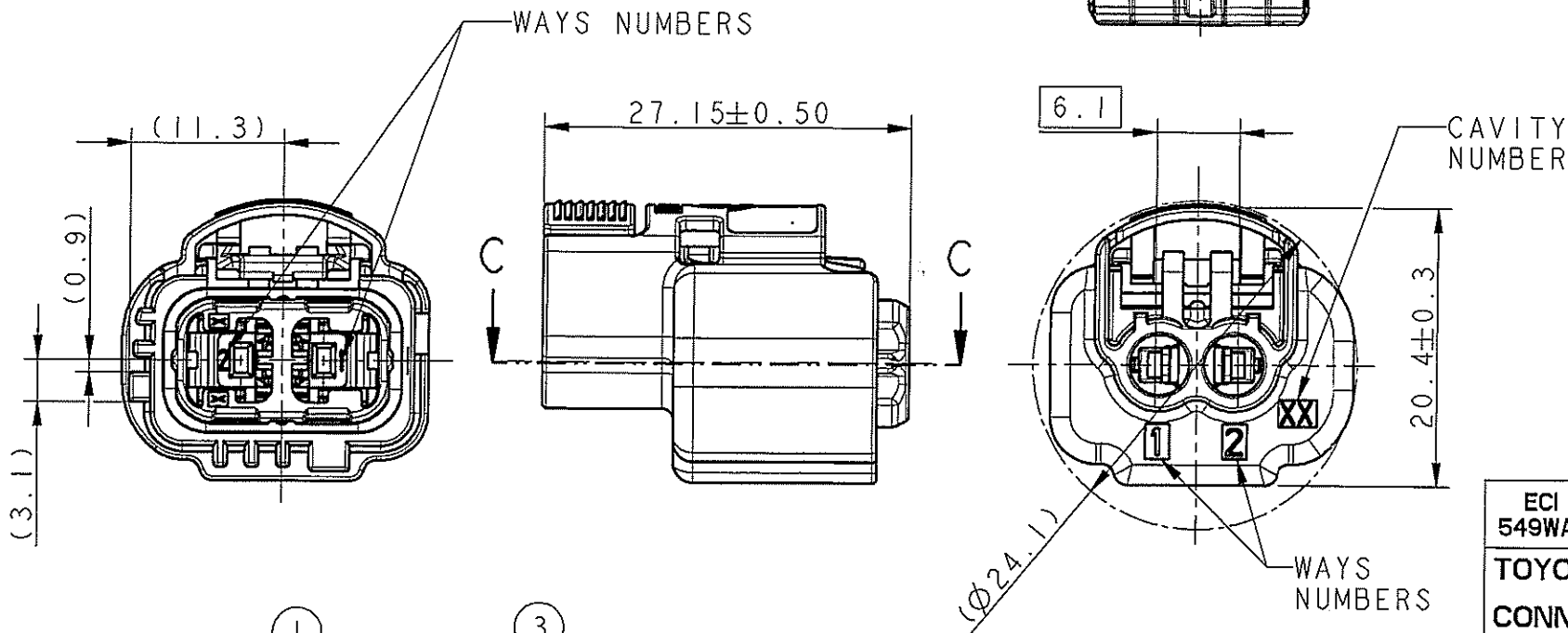
PARTS LIST

| CONNECTOR PART NO. | TOYOTA PART NO. | NO | PART NAME | QTY | MATERIAL | COLOR |
|--------------------|-----------------|----|------------------|-----|-----------------|--------|
| F487000 | 82824-74100 | 1 | HOUSING | 1 | PBT GF30% | GREY |
| | | 2 | GRID TPA | 1 | PBT GF15% | YELLOW |
| | | 3 | INTERFACIAL SEAL | 1 | SILICONE RUBBER | BLUE |

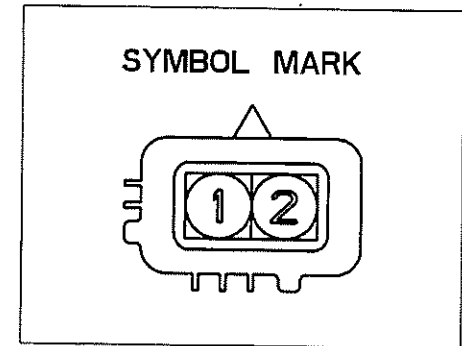
| ISS | MASS | MASS TOL. | ECI No. | Rev No. | REVISION RECORD | DATE | REVR. |
|-----|------|-----------|-----------|---------|-----------------|------------|----------|
| | 5g | ±1 | 549WA0008 | | NEW ADOPTION | Dec.16.'10 | Takizawa |



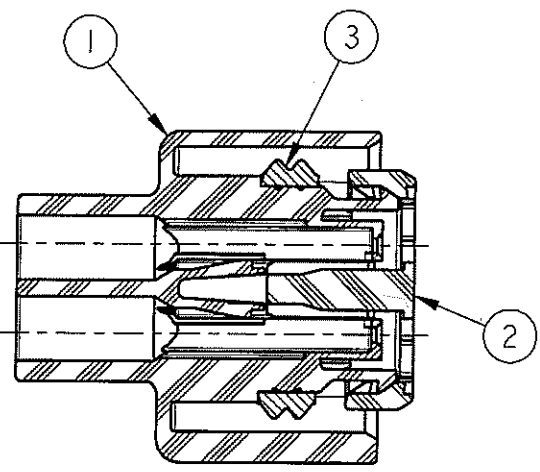
- NOTES
- THIS PART SHALL CONFORM TO SUB-PARAGRAPH 'SUBSTANCE PROHIBITION AND RESTRICTION' IN TSZ0001G.
 - MATERIAL DISPLAY OF THIS PART SHALL BE BASED ON TSZ6005G.
 - PRODUCT SPECIFICATION; FE PS 07 021
 - USER MANUAL; PUI07



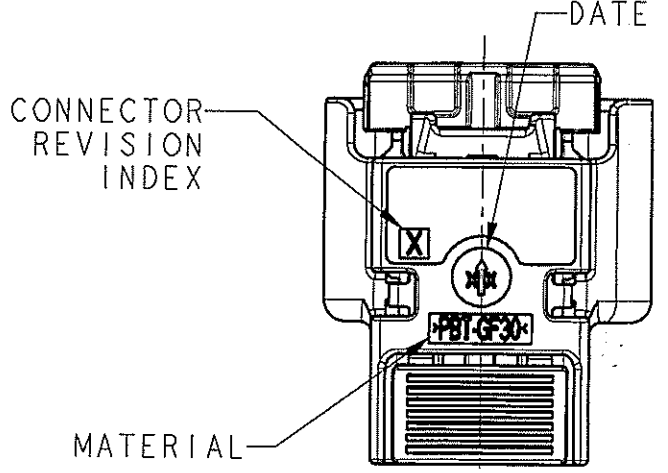
SCALE 1:1



| ECI No. | REVISION RECORD | RDDP NO. | MASS | Tol. |
|---------------------------|-----------------|--------------------------|---------|---------|
| 549WA0008 | | EPD0-0144 | 5g | ±1 |
| TOYOTA PART NAME | | TOYOTA PART No. | | |
| CONNECTOR, WIRING HARNESS | | 82824-74100 | | |
| APPROVED | 3 - 1 | CHECKED | 11.2.28 | CHECKED |
| STAFF CODE EPD30 | | TOYOTA MOTOR CORPORATION | | A3 |



SECTION C-C



APPLICABLE TERMINALS

| TERMINAL TYPE | TAB SIZE | TOYOTA P/N | FCI P/N | WIRE SIZE | PLATING TYPE | SINGLE WIRE SEAL | | |
|---------------|----------|-------------|---------|------------|--------------|------------------|----------|--------|
| | | | | | | TOYOTA P/N | FCI P/N | COLOR |
| GTS | 1.5 mm | 90980-W9054 | F112300 | 0.5-0.75mm | Sn | 90980-W9055 | 211M0007 | YELLOW |

A 02 000

ECN-NO. NUMERO ECH POSITION POSITION CHANGE DESCRIPTION MODIFICATION

PRODUCT SPEC. SPECIF. PRODUIT PACKAGING SPEC. SPECIF. EMBALLAGE APPLICATION SPEC. SPECIF. APPLICATION THIS DRAWING AND ALL OTHER INFORMATION CONTAINED THEREIN IS PROPRIETARY AND THE PROPERTY OF FCI. This drawing may not be copied, reproduced or disclosed to any third party without the expressed written permission of FCI. © FCI April 1999

TOLERANCES TOLERANCES ±0.1 ±2 MATERIAL: MATIERE: SEE TABLE SURFACE FINISH ETAT DE SURFACE

COUNTERPART No. CONTRE-PARTIE N° COLOUR: COULEUR: SEE TABLE

DO NOT MEASURE DRAWING NE PAS PRENDRE DE COTES TOOL NO. OUTIL N° ECO Loc. Code CODE D.C. FE

CREATED BY CREE PAR 2010/11/01 S s RAMASAMY TITLE DESIGNATION 2WAY FEMALE CONNECTOR

MODIFIED BY MODIF. PAR 2010/12/16 E TAKIZAWA PROJECT PROJCT

CHECKED BY VERIF. PAR 2010/12/16 Kouji MINAMI 15 GTS2 SYSTEM

APPROVED BY APPR. PAR 2011/01/25 O GOLETTO ESR NO. NUMERO ESR AP-100321 CAT. NO. NUMERO CAT.

FILE NAME NOM DE FICHER PCC0717163 DOCUMENT UNDER PDS CONTROL DOCUMENT GERE SOUS P.D.S. NO MODIFICATION ALLOWED OUTSIDE PAS DE MODIFICATION EN DEMORS

DRAWING NUMBER REF. PLAN PCC0717163 REV. IND. A

STATE ETAT SERIAL RELEASED

PART NUMBER REF. ARTICLE F487000 REV. IND. B

ISO PROJECTION PROJECTION ISO DIMENSION IN MILLIMETERS DIMENSIONS EN MILLIMETRES CAD SYSTEM pro / eng. DNG SIZE FORMAT A3 SHEET FEUILLE 1 of 1

APPROVAL LEVEL NIV. D'APPROBATION

SCALE ECH. 2:1

EUR C04 112 F29 PDS