

2203663-6 ✓ ACTIVE

TE Internal #: 2203663-6

Housing for Female Terminals, Wire-to-Wire / Wire-to-Board, 18
Position, .1 in [2.54 mm] Centerline, Sealable, Black, Wire & Cable,
Signal

[View on TE.com >](#)



Connectors > Automotive Connectors > Connector Housings



Connector & Housing Type: **Housing for Female Terminals**

Connector System: **Wire-to-Board, Wire-to-Wire**

Number of Positions: **18**

Centerline (Pitch): **2.54 mm [.1 in]**

Sealable: **Yes**

Features

Product Type Features

Connector & Housing Shape	Rectangular
Connector & Housing Type	Housing for Female Terminals
Connector System	Wire-to-Board, Wire-to-Wire
Sealable	Yes
Hybrid Connector	No
Primary Locking Feature	Integrated in Housing
Connector & Contact Terminates To	Wire & Cable

Configuration Features

Number of Positions	18
Number of Rows	2

Electrical Characteristics

Operating Voltage	12 VDC
Nominal Voltage Architecture	12 V

Body Features



Body Material	PA GF
Primary Product Color	Black
Connector Code	B

Contact Features

Contact Size	.64mm
--------------	-------

Mechanical Attachment

Mating Alignment Type	Keyed
Mating Alignment	With
Connector Mounting Type	Cable Mount (Free-Hanging)

Housing Features

Centerline (Pitch)	2.54 mm [.1 in]
--------------------	-----------------

Dimensions

	.1 in
--	-------

Usage Conditions

Operating Temperature (Max)	85 °C [185 °F]
Operating Temperature Range	-40 – 85 °C [-40 – 185 °F]

Operation/Application

Circuit Application	Signal
---------------------	--------

Packaging Features

Packaging Quantity	375
Packaging Method	Box

Other

Connector Position Assurance Capable	Yes
--------------------------------------	-----

Product Compliance

[For compliance documentation, visit the product page on TE.com>](#)

EU RoHS Directive 2011/65/EU	Compliant
EU ELV Directive 2000/53/EC	Compliant
China RoHS 2 Directive MIIT Order No 32, 2016	No Restricted Materials Above Threshold
EU REACH Regulation (EC) No. 1907/2006	Current ECHA Candidate List: JAN 2022 (223) Candidate List Declared Against: JAN 2022 (223)



Does not contain REACH SVHC

Halogen Content

Low Halogen - Br, Cl, F, I < 900 ppm per homogenous material. Also BFR/CFR/PVC Free

Solder Process Capability

Not applicable for solder process capability

Product Compliance Disclaimer

This information is provided based on reasonable inquiry of our suppliers and represents our current actual knowledge based on the information they provided. This information is subject to change. The part numbers that TE has identified as EU RoHS compliant have a maximum concentration of 0.1% by weight in homogenous materials for lead, hexavalent chromium, mercury, PBB, PBDE, DBP, BBP, DEHP, DIBP, and 0.01% for cadmium, or qualify for an exemption to these limits as defined in the Annexes of Directive 2011/65/EU (RoHS2). Finished electrical and electronic equipment products will be CE marked as required by Directive 2011/65/EU. Components may not be CE marked. Additionally, the part numbers that TE has identified as EU ELV compliant have a maximum concentration of 0.1% by weight in homogenous materials for lead, hexavalent chromium, and mercury, and 0.01% for cadmium, or qualify for an exemption to these limits as defined in the Annexes of Directive 2000/53/EC (ELV). Regarding the REACH Regulation, the information TE provides on SVHC in articles for this part number is based on the latest European Chemicals Agency (ECHA) 'Guidance on requirements for substances in articles' posted at this URL: <https://echa.europa.eu/guidance-documents/guidance-on-reach>

Compatible Parts



TE Part # CAT-G3353-T273
GET .64 CONNECTOR SYSTEM,
RECEPT AND TAB



TE Part # 3-1579007-6
GET EXTRACTION TOOL

TE Part # 1488421-1
2X9 SEALED WIRE COVER, ALL POS

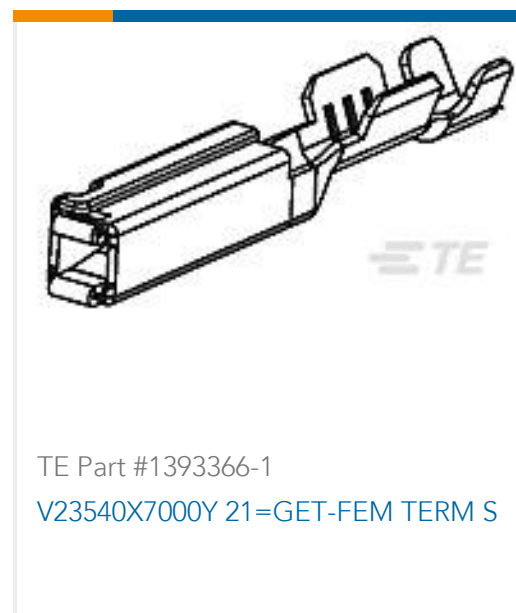
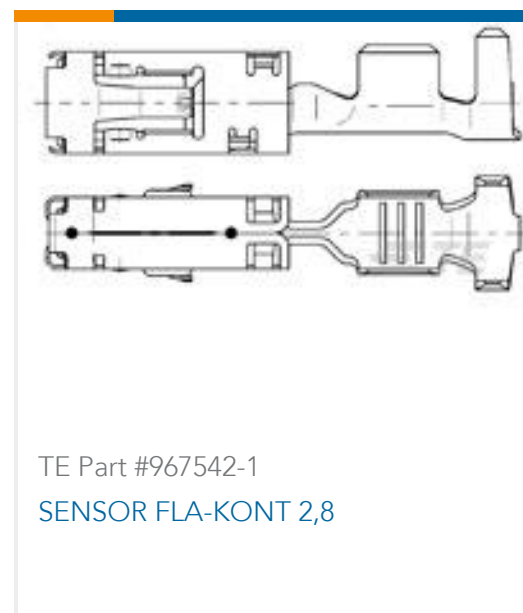
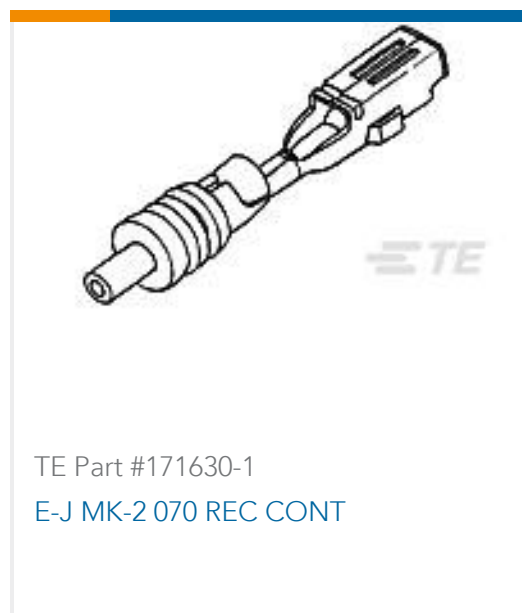
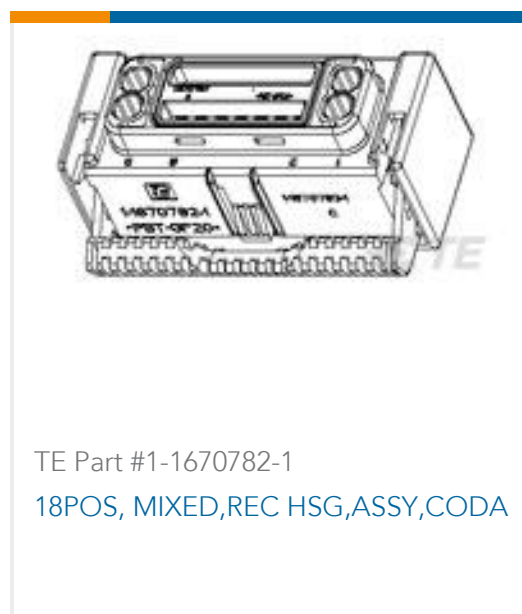
TE Part # 1488423-1
2X9 SEALED WIRE SEAL

TE Part # 1488532-1
2X9 PERIPHERAL SEAL

TE Part # 2203530-2
2X9 SEALED PLUG HOUSING, KEY B

TE Part # 2203531-1
2X9 SEALED TPA

Customers Also Bought



Documents

Product Drawings

2X9 SEALED PLUG ASSY KEY B

English

CAD Files

3D PDF

3D

Customer View Model

[ENG_CVM_CVM_2203663-6_A.2d_dxf.zip](#)

English

Customer View Model

[ENG_CVM_CVM_2203663-6_A.3d_igs.zip](#)

English

Customer View Model

[ENG_CVM_CVM_2203663-6_A.3d_stp.zip](#)

English

By downloading the CAD file I accept and agree to the [Terms and Conditions](#) of use.

Product Specifications

Application Specification

English