

2278706-8 ✓ ACTIVE

## AMP MCP 1.5K, AMP MCP Connector System

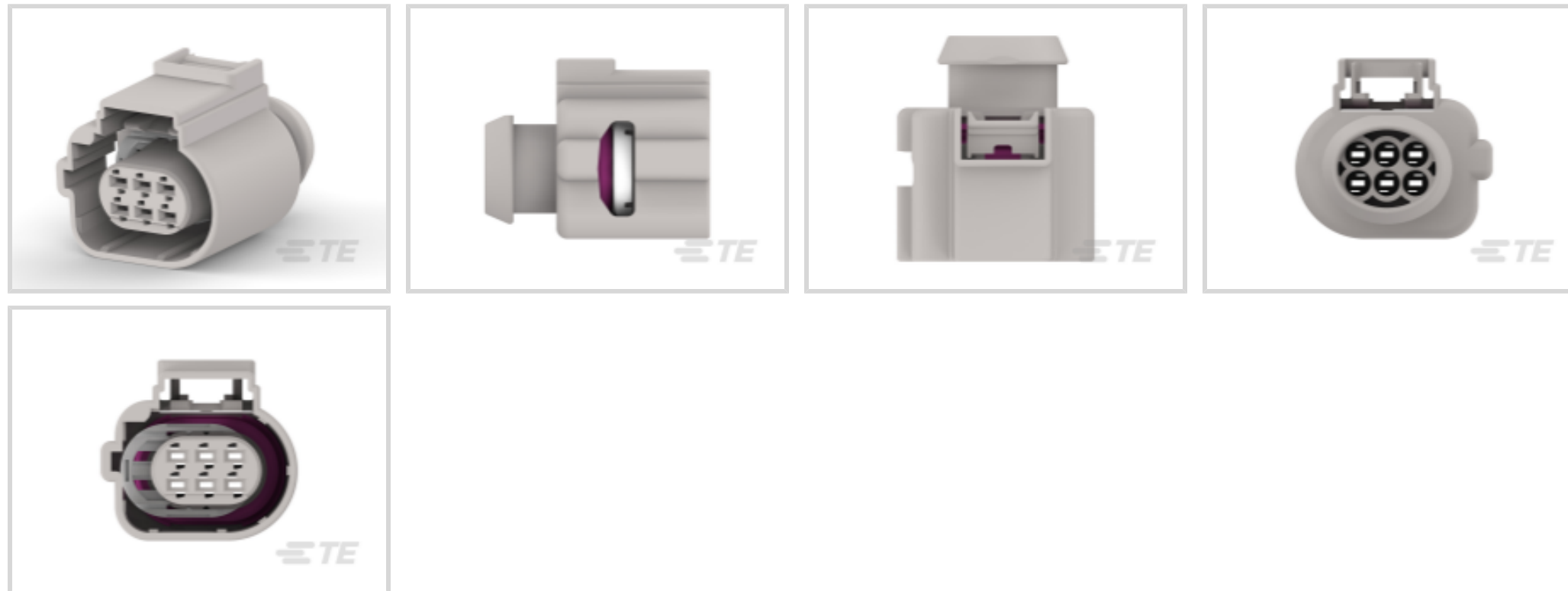
TE Internal #: 2278706-8

Housing for Female Terminals, Cable-to-Cable, 6 Position, 1.57 in [4 mm] Centerline, Sealable, Gray, Wire & Cable, Signal, Hybrid

[View on TE.com >](#)



Connectors > Automotive Connectors > Connector Housings > AMP MCP, UNSEALED CONNECTOR HOUSING



Connector & Housing Type: **Housing for Female Terminals**

Mating Tab Width: **1.5 mm [ .06 in ]**

Connector System: **Cable-to-Cable**

Number of Positions: **6**

Centerline (Pitch): **4 mm [ 1.57 in ]**

[All AMP MCP, UNSEALED CONNECTOR HOUSING \(187\)](#)

### Features

#### Product Type Features

Connector & Housing Shape	Rectangular
Connector & Housing Type	Housing for Female Terminals
Connector System	Cable-to-Cable
Sealable	Yes
Hybrid Connector	No
Primary Locking Feature	On the Terminal
Connector & Contact Terminates To	Wire & Cable

#### Configuration Features

Number of Positions	6
Number of Rows	2

#### Body Features

Body Material	PBT
Primary Product Color	Gray



Connector Code	8
----------------	---

### Contact Features

Contact Size	1.5K
--------------	------

Contact Type	Receptacle
--------------	------------

Mating Tab Width	1.5 mm[.06 in]
------------------	----------------

Contact Current Rating (Max)	12 A
------------------------------	------

### Mechanical Attachment

Terminal Position Assurance	No
-----------------------------	----

Mating Alignment Type	Keyed
-----------------------	-------

Mating Alignment	With
------------------	------

Connector Mounting Type	Cable Mount (Free-Hanging)
-------------------------	----------------------------

### Housing Features

Centerline (Pitch)	4 mm[1.57 in]
--------------------	---------------

### Dimensions

Product Width	31.4 mm[1.23 in]
---------------	------------------

Product Length	25.5 mm[1 in]
----------------	---------------

Product Height	19.5 mm[.767 in]
----------------	------------------

Row-to-Row Spacing	4 mm[.157 in]
--------------------	---------------

### Usage Conditions

Operating Temperature Range	0 – 125 °C[32 – 257 °F]
-----------------------------	-------------------------

### Operation/Application

Circuit Application	Signal
---------------------	--------

### Other

Serviceable	Yes
-------------	-----

Connector Position Assurance Capable	No
--------------------------------------	----

### Product Compliance

[For compliance documentation, visit the product page on TE.com>](#)

EU RoHS Directive 2011/65/EU	Compliant
------------------------------	-----------

EU ELV Directive 2000/53/EC	Compliant
-----------------------------	-----------

China RoHS 2 Directive MIIT Order No 32, 2016	No Restricted Materials Above Threshold
---	---

EU REACH Regulation (EC) No. 1907/2006	
--	--



Current ECHA Candidate List: JAN 2022 (223)  
 Candidate List Declared Against: JAN 2022 (223)  
 Does not contain REACH SVHC

Halogen Content  
 Low Halogen - Br, Cl, F, I < 900 ppm per homogenous material. Also BFR/CFR/PVC Free

Solder Process Capability  
 Not reviewed for solder process capability

Product Compliance Disclaimer

This information is provided based on reasonable inquiry of our suppliers and represents our current actual knowledge based on the information they provided. This information is subject to change. The part numbers that TE has identified as EU RoHS compliant have a maximum concentration of 0.1% by weight in homogenous materials for lead, hexavalent chromium, mercury, PBB, PBDE, DBP, BBP, DEHP, DIBP, and 0.01% for cadmium, or qualify for an exemption to these limits as defined in the Annexes of Directive 2011/65/EU (RoHS2). Finished electrical and electronic equipment products will be CE marked as required by Directive 2011/65/EU. Components may not be CE marked. Additionally, the part numbers that TE has identified as EU ELV compliant have a maximum concentration of 0.1% by weight in homogenous materials for lead, hexavalent chromium, and mercury, and 0.01% for cadmium, or qualify for an exemption to these limits as defined in the Annexes of Directive 2000/53/EC (ELV). Regarding the REACH Regulation, the information TE provides on SVHC in articles for this part number is based on the latest European Chemicals Agency (ECHA) 'Guidance on requirements for substances in articles' posted at this URL: <https://echa.europa.eu/guidance-documents/guidance-on-reach>

### Compatible Parts



TE Part # 964971-1  
 EINZELLEITERDICHTNG




TE Part # 1241380-1  
 AMP MCP 1.5K, CONTACT, SWS


### Also in the Series | AMP MCP 1.5K



Automotive Connector Caps & Covers (1)



Automotive Housings(103)

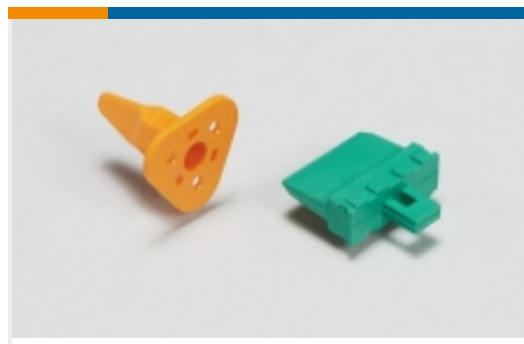


Insertion & Extraction Tools(1)

### Also in the Series | AMP MCP Connector System



Automotive Connector Caps & Covers (24)



Automotive Connector Locks & Position Assurance(7)



Automotive Housings(352)



Automotive Seals & Cavity Plugs(6)



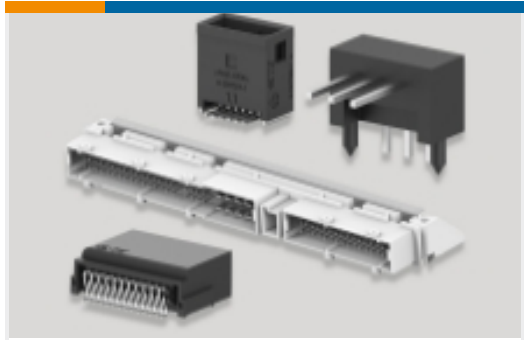
Automotive Terminals(125)



Insertion & Extraction Tools(13)

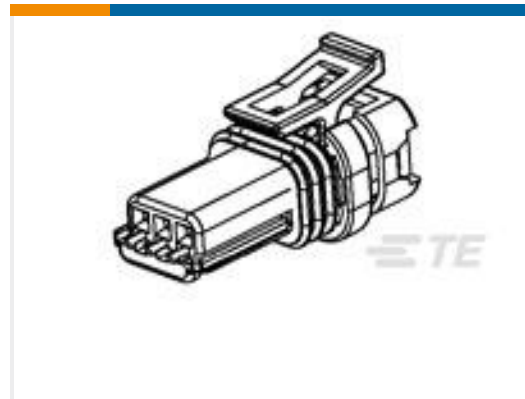


Other Automotive Connector Accessories(2)



PCB Headers & Receptacles(29)

## Customers Also Bought



TE Part #936527-2  
025 SLD 3P PLUG ASSY



TE Part #638652-2  
RECEPT,1.5MM,TIN 18-20AWG RD=1



TE Part #2298622-1  
24POS,HYBRID,REC HSG ASSY, UNSLD,COD A



TE Part #2298627-1  
24POS,HYBRID,TAB HSG ASSY, UNSLD,COD A



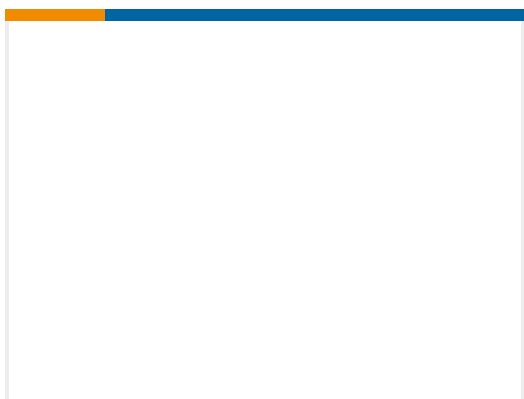
TE Part #2301241-1  
RETAINER, TAB HSG., 49POSN.,



TE Part #1-2355506-1  
2POS,MCON 1.2,REC HSG ASSY,SLD, COD A



TE Part #1813018-4  
MINI FUSE RECEPTACLE



TE Part #1813018-6  
MINI FUSE RECEPTACLE



TE Part #2208714-1  
2. LOCK,MCON1,2 CB



TE Part #2325415-1  
40POS,ML .025,REC HSG ASSY,UNSLD

## Documents



### Product Drawings

[6POS, AMP MCP 1.5K, REC HSG, ASSY](#)

English

---

### CAD Files

[3D PDF](#)

3D

Customer View Model

[ENG\\_CVM\\_CVM\\_2278706-8\\_A.2d\\_dxf.zip](#)

English

Customer View Model

[ENG\\_CVM\\_CVM\\_2278706-8\\_A.3d\\_igs.zip](#)

English

Customer View Model

[ENG\\_CVM\\_CVM\\_2278706-8\\_A.3d\\_stp.zip](#)

English

By downloading the CAD file I accept and agree to the [Terms and Conditions](#) of use.