

2288276-1 ✓ ACTIVE

## Generation Y Connector System

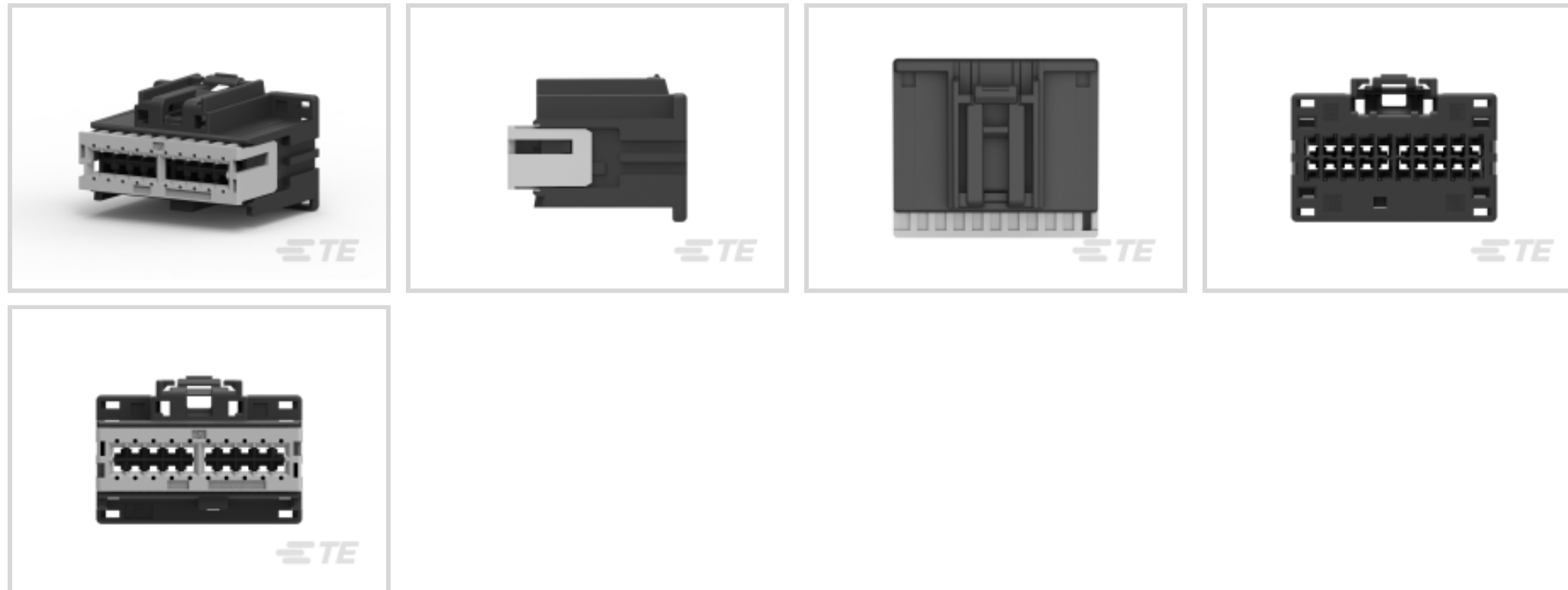
TE Internal #: 2288276-1

Housing for Female Terminals, Wire-to-Board / Wire-to-Device, 20  
Position, .1 in [2.54 mm] Centerline, Black, Signal, Generation Y  
Connector System

[View on TE.com >](#)



Connectors > Automotive Connectors > Connector Housings



Connector & Housing Type: **Housing for Female Terminals**

Mating Tab Width: **.64 mm [ .025 in ]**

Connector System: **Wire-to-Board, Wire-to-Device**

Number of Positions: **20**

Centerline (Pitch): **2.54 mm [ .1 in ]**

### Features

#### Product Type Features

Connector & Housing Shape	Rectangular
Connector & Housing Type	Housing for Female Terminals
Connector System	Wire-to-Board, Wire-to-Device
Sealable	No
Hybrid Connector	No
Primary Locking Feature	Integrated in Housing

#### Configuration Features

Number of Positions	20
Number of Rows	2

#### Body Features

Cable Exit Angle	180°
Body Material	PA GF
Primary Product Color	Black
Connector Code	A



### Contact Features

Contact Size	.64mm
Contact Type	Receptacle
Mating Tab Width	.64 mm[.025 in]

### Mechanical Attachment

Mounting Feature	Without
Terminal Position Assurance	Yes
Strain Relief	Without
Mating Alignment Type	Keyed
Mating Alignment	With
Connector Mounting Type	Cable Mount (Free-Hanging)

### Housing Features

Centerline (Pitch)	2.54 mm[.1 in]
--------------------	----------------

### Dimensions

Product Width	21.4 mm[.843 in]
Product Length	28.7 mm[1.13 in]
Product Height	22.05 mm[.868 in]
Row-to-Row Spacing	4.24 mm[.167 in]

### Usage Conditions

Operating Temperature (Max)	70 °C, 75 °C, 80 °C, 85 °C, 90 °C, 100 °C [158 °F][167 °F][176 °F][185 °F][194 °F][212 °F]
Operating Temperature Range	-40 – 100 °C[-40 – 212 °F]

### Operation/Application

Circuit Application	Signal
---------------------	--------

### Industry Standards

Agency/Standard	SAE/USCAR-2
-----------------	-------------

### Packaging Features

Packaging Quantity	360
Packaging Method	Package

### Other

Serviceable	Yes
-------------	-----



Connector Position Assurance Capable

Yes

### Product Compliance


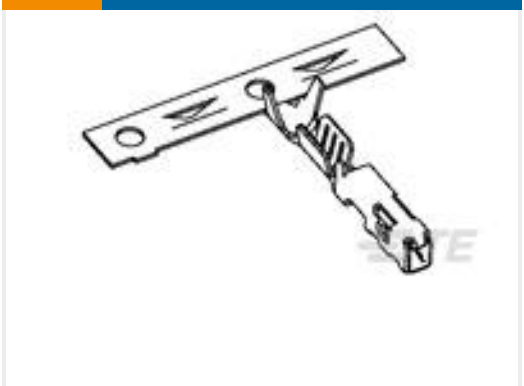

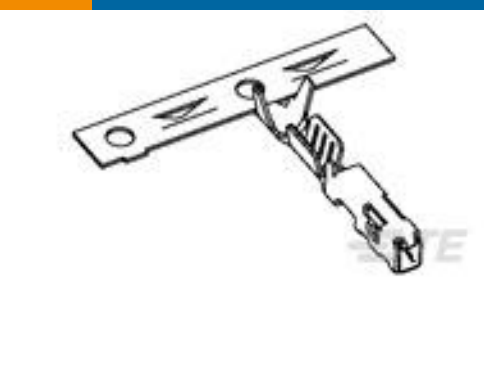
[For compliance documentation, visit the product page on TE.com>](#)

EU RoHS Directive 2011/65/EU	Compliant
EU ELV Directive 2000/53/EC	Compliant
China RoHS 2 Directive MIIT Order No 32, 2016	No Restricted Materials Above Threshold
EU REACH Regulation (EC) No. 1907/2006	Current ECHA Candidate List: JAN 2022 (223) Candidate List Declared Against: JAN 2022 (223) Does not contain REACH SVHC
Halogen Content	Low Halogen - Br, Cl, F, I < 900 ppm per homogenous material. Also BFR/CFR/PVC Free
Solder Process Capability	Not applicable for solder process capability

#### Product Compliance Disclaimer

This information is provided based on reasonable inquiry of our suppliers and represents our current actual knowledge based on the information they provided. This information is subject to change. The part numbers that TE has identified as EU RoHS compliant have a maximum concentration of 0.1% by weight in homogenous materials for lead, hexavalent chromium, mercury, PBB, PBDE, DBP, BBP, DEHP, DIBP, and 0.01% for cadmium, or qualify for an exemption to these limits as defined in the Annexes of Directive 2011/65/EU (RoHS2). Finished electrical and electronic equipment products will be CE marked as required by Directive 2011/65/EU. Components may not be CE marked. Additionally, the part numbers that TE has identified as EU ELV compliant have a maximum concentration of 0.1% by weight in homogenous materials for lead, hexavalent chromium, and mercury, and 0.01% for cadmium, or qualify for an exemption to these limits as defined in the Annexes of Directive 2000/53/EC (ELV). Regarding the REACH Regulation, the information TE provides on SVHC in articles for this part number is based on the latest European Chemicals Agency (ECHA) 'Guidance on requirements for substances in articles' posted at this URL: <https://echa.europa.eu/guidance-documents/guidance-on-reach>

### Compatible Parts

 <p>TE Part # CAT-HPCH5372 HIGH PIN COUNT HEADER</p>	 <p>TE Part # 1924955-2 CONTACT,FEMALE0.64,18AWG, UNSEALED</p>	 <p>TE Part # 1924955-4 CONTACT,FEMALE0.64,18AWG, UNSEALED</p>	 <p>TE Part # 1924955-1 CONTACT,FEMALE0.64,20-22AWG, UNSEAL</p>
---	--	---	--




TE Part # 1924955-3  
CONTACT,FEMALE0.64,20-22AWG,  
UNSEAL



TE Part # 1924955-6  
CONTACT,FEMALE,0.64,0.35SQMM,  
UNSEALED



TE Part # 1924955-7  
CONTACT,FEMALE0.64,0.13SQMM,  
UN




TE Part # 1924955-8  
CONTACT,FEMALE,0.64,0.35SQMM,  
UNSEALED




TE Part # 1924955-5  
CONTACT,FEMALE0.64,0.13SQMM,  
UN


Also in the Series | Generation Y Connector System




Automotive Connector Caps & Covers  
(16)



Automotive Housings(153)



Automotive Terminals(39)



Insertion & Extraction Tools(1)



PCB Headers & Receptacles(15)

Customers Also Bought



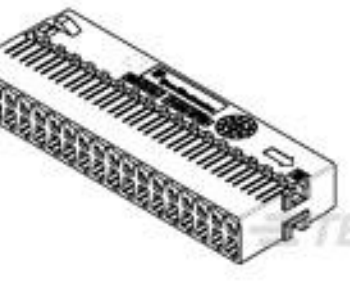
TE Part #2272431-1  
GET .64 CONNECTOR SYSTEM,  
CONNECTOR HSG



TE Part #2272975-5  
6 Pos. Sealed MCON 1.2 Connect



TE Part #1924337-1  
Shield Assembly, 54 POSN, 0.64mm  
BLK



TE Part #1924340-1  
36P, 2 Row Carrier for 54P LAC



## Documents

### Product Drawings

[Assy, Plug, USCAR, GenY, 20p, Key A, No CPA](#)

English

### CAD Files

[3D PDF](#)

3D

[Customer View Model](#)

[ENG\\_CVM\\_CVM\\_2288276-1\\_A.2d\\_dxf.zip](#)

English

[Customer View Model](#)

[ENG\\_CVM\\_CVM\\_2288276-1\\_A.3d\\_igs.zip](#)

English

[Customer View Model](#)

[ENG\\_CVM\\_CVM\\_2288276-1\\_A.3d\\_stp.zip](#)

English

By downloading the CAD file I accept and agree to the [Terms and Conditions](#) of use.

### Product Environmental Compliance

[Product Compliance](#)

English

[Product Compliance](#)

English

### Instruction Sheets

[Instruction Sheet \(U.S.\)](#)

English

2288276-1

Housing for Female Terminals, Wire-to-Board / Wire-to-Device, 20 Position, .1 in [2.54 mm] Centerline, Black, Signal, Generation Y Connector System

