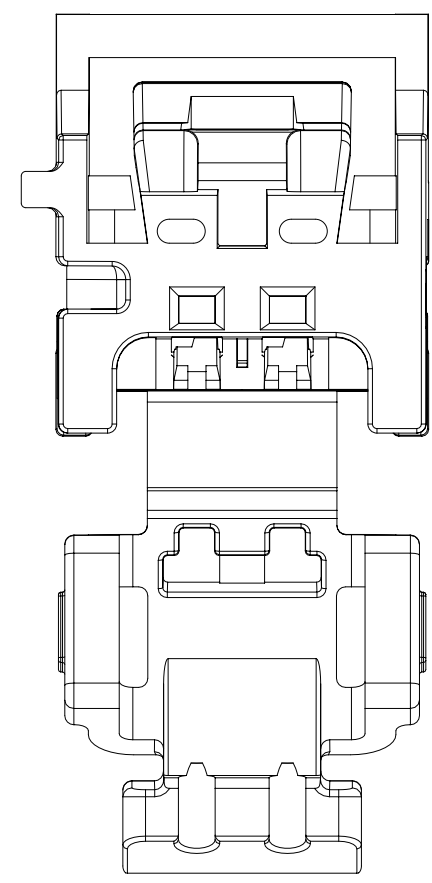
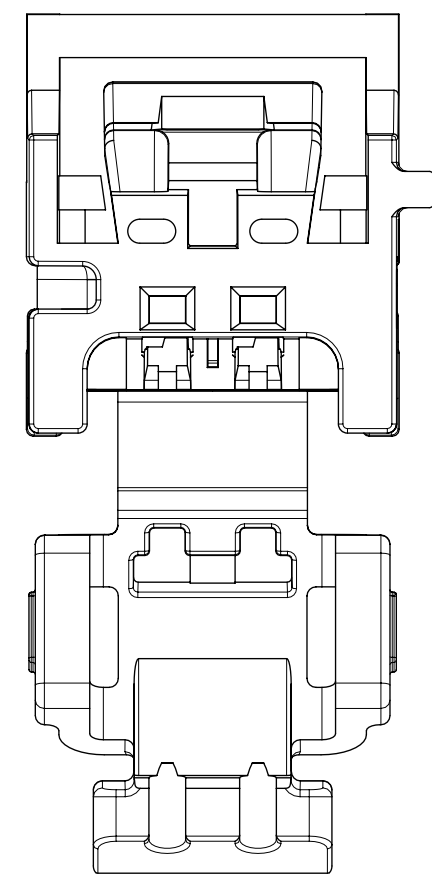


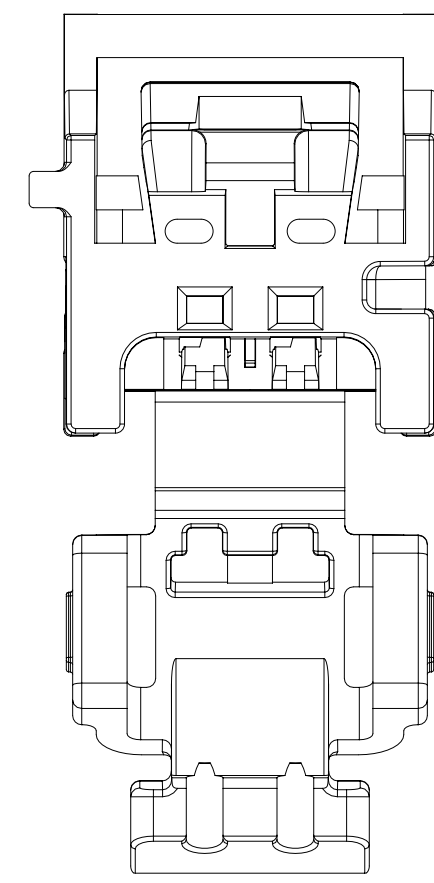
2 CIRCUIT RECEPTACLE BRIDGED
POLARIZATION OPTION A



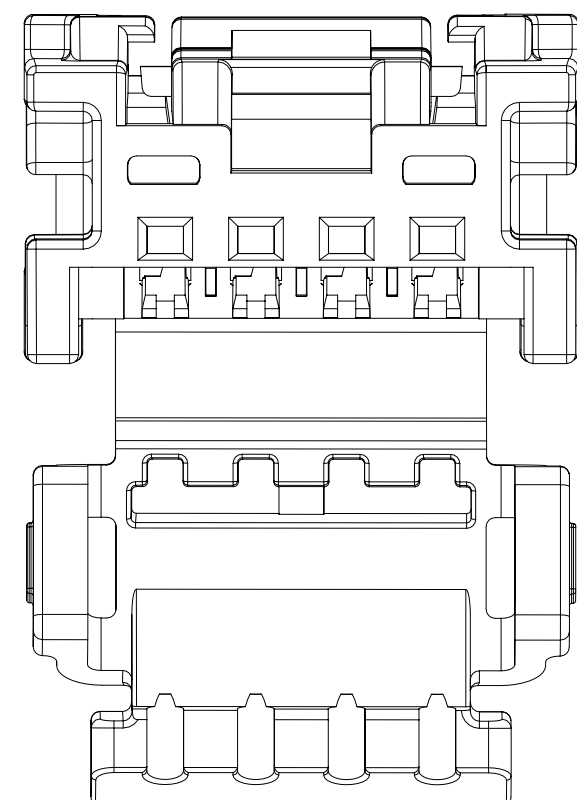
2 CIRCUIT RECEPTACLE BRIDGED
POLARIZATION OPTION B



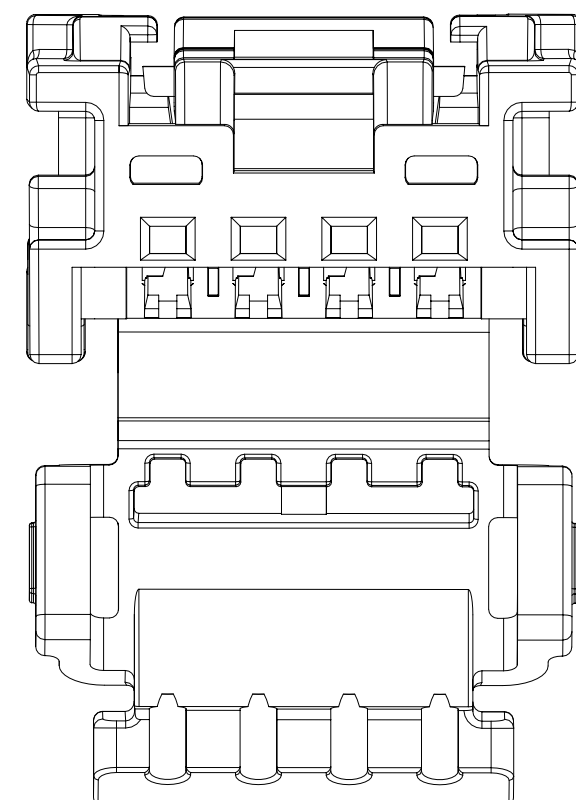
2 CIRCUIT RECEPTACLE BRIDGED
POLARIZATION OPTION C



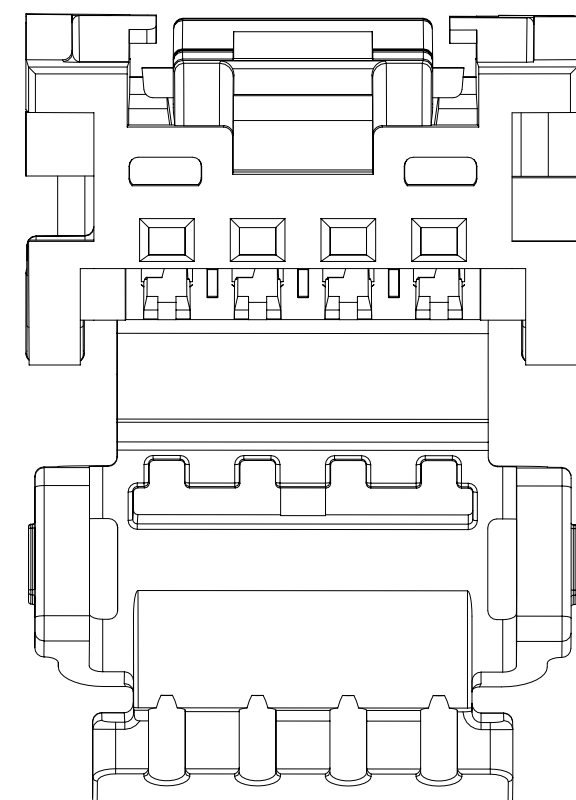
2 CIRCUIT RECEPTACLE BRIDGED
POLARIZATION OPTION D



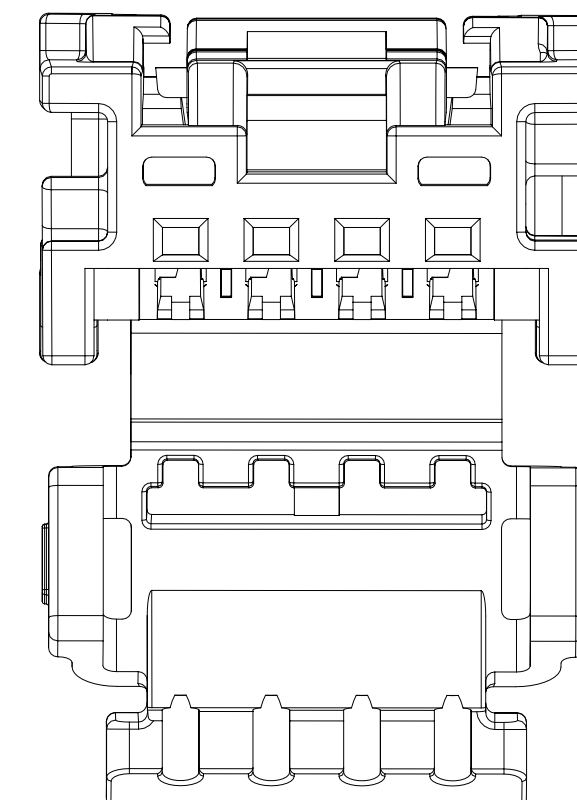
4 CIRCUIT RECEPTACLE NO BRIDGE
POLARIZATION OPTION A



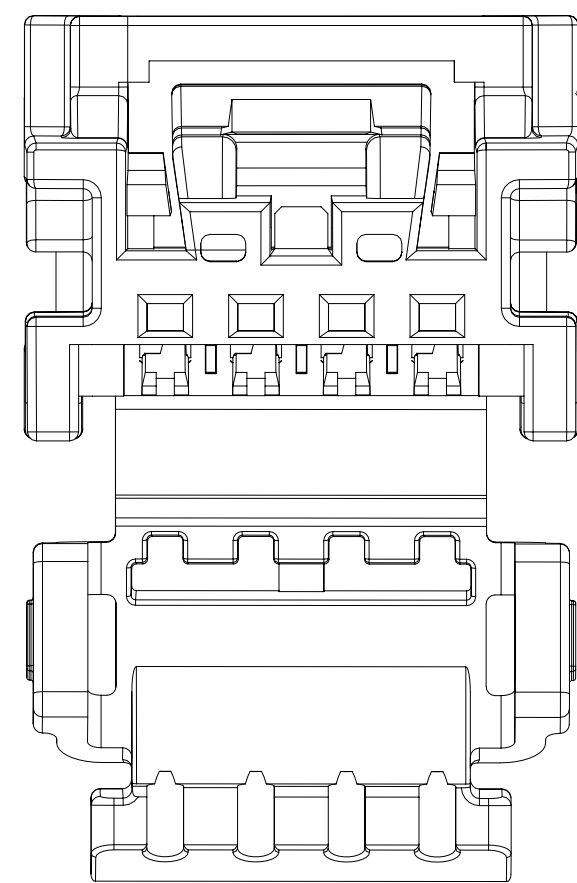
4 CIRCUIT RECEPTACLE NO BRIDGE
POLARIZATION OPTION B



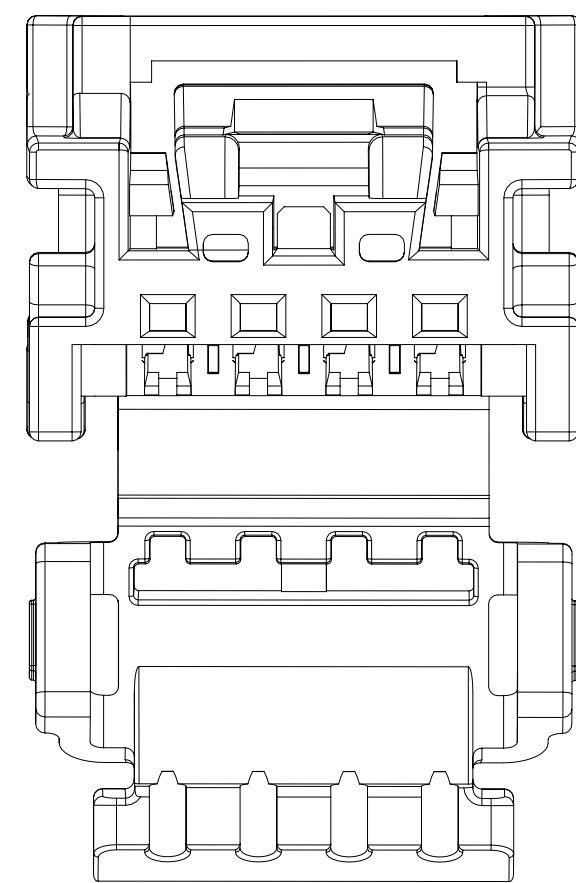
4 CIRCUIT RECEPTACLE NO BRIDGE
POLARIZATION OPTION C



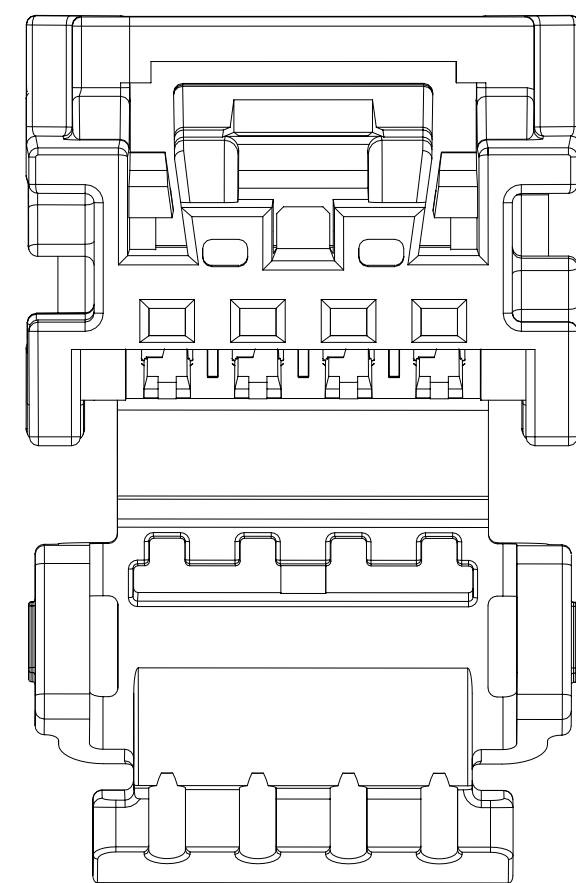
4 CIRCUIT RECEPTACLE NO BRIDGE
POLARIZATION OPTION D



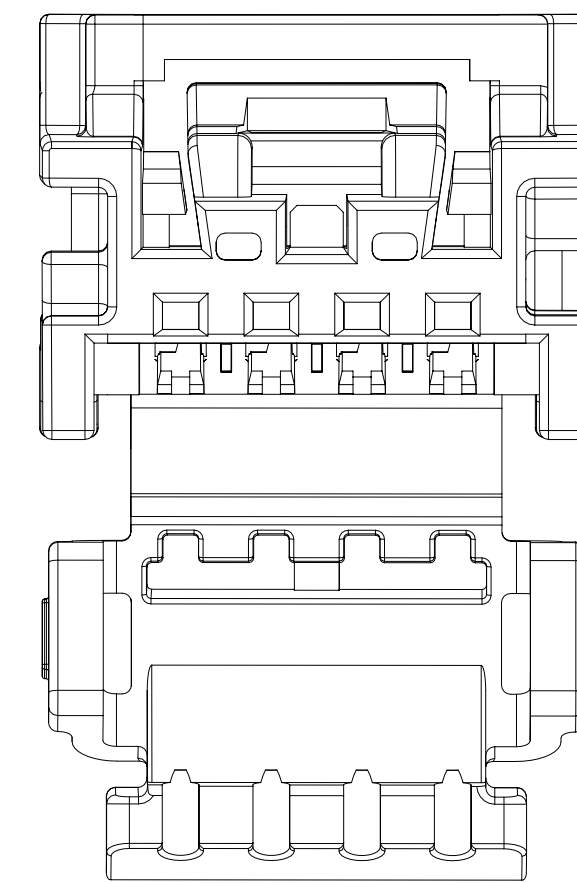
4 CIRCUIT RECEPTACLE BRIDGED
POLARIZATION OPTION A



4 CIRCUIT RECEPTACLE BRIDGED
POLARIZATION OPTION B



4 CIRCUIT RECEPTACLE BRIDGED
POLARIZATION OPTION C



4 CIRCUIT RECEPTACLE BRIDGED
POLARIZATION OPTION D

NOTES: VALID UNLESS OTHERWISE SPECIFIED

1. GENERAL:

- a. APPLICATION SPECIFICATION SEE: AS-34791-020
- b. PRODUCT SPECIFICATION SEE: PS-34971-020
- c. PACKAGING SPECIFICATION PER MOLEX DRAWING: PK-31301-538
- d. PARTS MUST BE IN COMPLIANCE TO MOLEX CHEMICAL SUBSTANCES FOR PRODUCTS AND PACKAGING SPECIFICATION: QEHS-699000-301
- e. DATA MUST BE SUBMITTED UNDER THE MOLEX PART NUMBER TO IMDS (COMPANY ID#13255)
- f. FLAMMABILITY REQUIREMENT: PER ISO3795 OR GM3191
 - 1. BURN RATE 100 mm/MIN MAXIMUM
 - 2. MATERIAL MUST BE SELF EXTINGUISHING
- g. VISUAL DEFECTS SHALL MEET COSMETIC STANDARD PS-45499-002 (Class B)
- h. FOR TERMINAL USAGE, REFER TO MOLEX SALES DRAWING SD-560023-002.

2. DESIGN - MATERIALS:

- a. MATERIAL: UNFILLED PBT

3. DESIGN - GEOMETRY:

- a. THIS IS A 100% CAD GENERATED PART. THE CAD MATHEMATICAL DATA IS THE MASTER FOR THIS PART. FOR DIMENSIONAL OR ANY INFORMATION NOT SHOWN ON THIS DRAWING, ANALYZE THE CAD MODEL.
- b. GEOMETRIC DIMENSIONS AND TOLERANCES PER ASME Y14.5M - 1994
- c. GENERAL TOLERANCES:
 - LINEAR: PER DIN 16901 CODE B FOR PRECISION ENGINEERING
 - ANGULAR: $\pm 3^\circ$
- d. EDGES AND UNDIMENSIONED DETAILS PER ISO13715
- e. CORNERS SHOWN AS SHARP TO BE R 0.2 MAX
- f. LETTERING SHALL BE 0.1 MAX RAISED IN 0.15 MAX RECESS PAD AND NOT PROTRUDE THE SURFACE. THIS INCLUDES RECYCLING CODE, PLANT AND CAVITY ID, VENDOR ID, CIRCUIT ID, AND PART SERIES NUMBER.

4. DESIGN - FUNCTIONALITY

- a. HINGE DOES NOT AFFECT FUNCTION OF THE PART.

INSPECTION BALLON NUMBER LOG	
PER DRAWING REVISION: L6	
LAST BALLOON USED: 16	
ADDED BALLOON NUMBERS:	
REMOVED BALLOON NUMBERS:	

L3	DRAWING REMASTERED PAGE 3: ADDED DIM A FOR PASS THRU PAGE 4: ADDED DIM A TO BOM
L2	NX REMASTERING
REV	DESCRIPTION

THIS DRAWING CONTAINS INFORMATION THAT IS PROPRIETARY TO MOLEX ELECTRONIC TECHNOLOGIES, LLC AND SHOULD NOT BE USED WITHOUT WRITTEN PERMISSION

DIMENSION UNITS	SCALE	CURRENT REV DESC:
mm	6:1	
GENERAL TOLERANCES (UNLESS SPECIFIED)		
ANGULAR TOL	\pm	$^\circ$
4 PLACES	\pm	
3 PLACES	\pm	
2 PLACES	\pm	
1 PLACE	\pm	
0 PLACES	\pm	
DRAFT WHERE APPLICABLE MUST REMAIN WITHIN DIMENSIONS		

molex

MINI50 SINGLE ROW RECEPTACLE SALES DWG

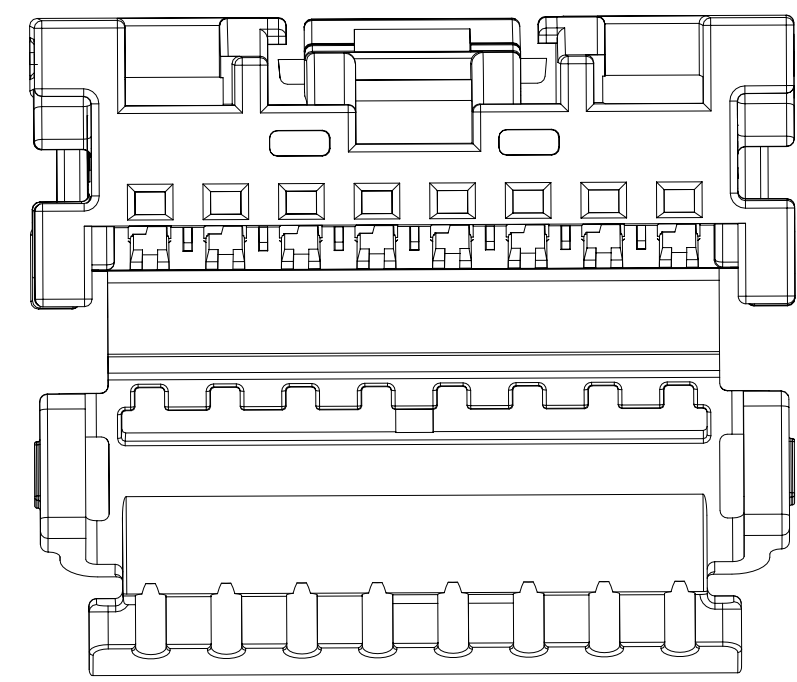
PRODUCT CUSTOMER DRAWING

DOCUMENT NUMBER	DOC TYPE	DOC PART	REVISION
SD-34791-001	PSD	000	L6

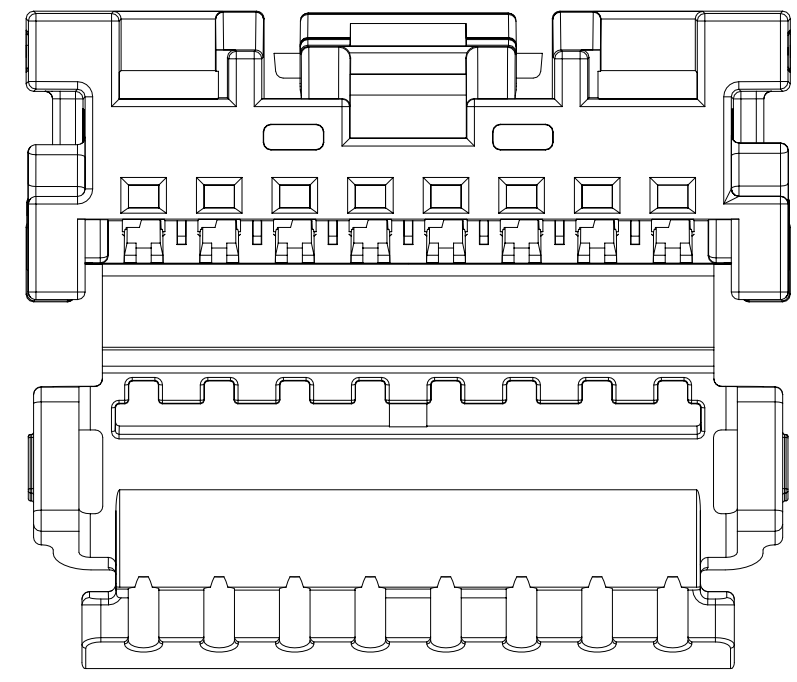
DRAWING	SERIES	MATERIAL NUMBER	CUSTOMER	SHEET NUMBER
D-SIZE	34791		GENERAL MARKET	1 OF 4

EC NO: 643896	
DRWN: SRUSS	2020/03/30
CHK'D: SRUSS	2020/08/17
APPR: JDUNAJ	2020/09/03
INITIAL REVISION:	
DRWN: SMAHESHBABU	2017/02/22
APPR: TMACHUGA	2017/05/04

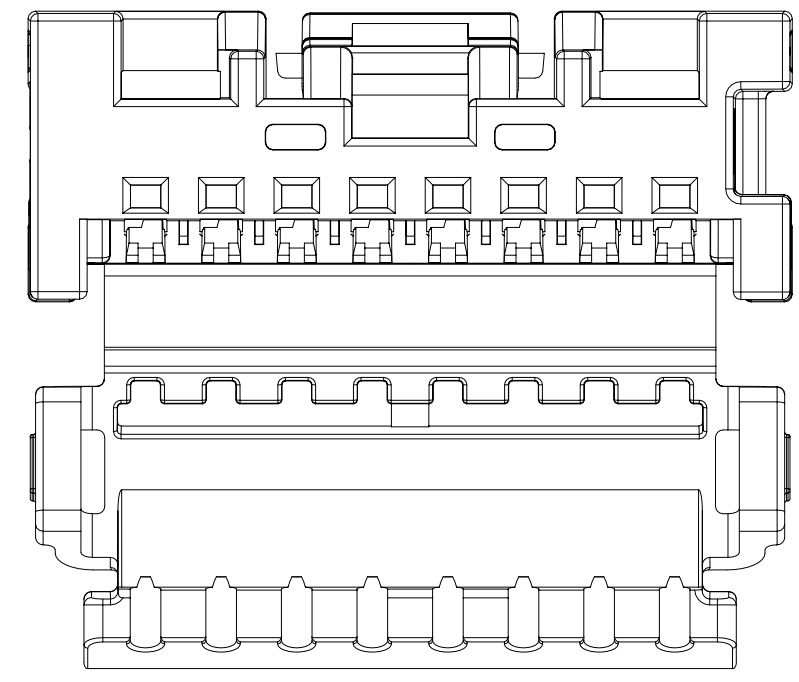
DOCUMENT STATUS	P1	RELEASE DATE	2020/09/03	01:58:54
-----------------	----	--------------	------------	----------



8 CIRCUIT RECEPTACLE NO BRIDGE
POLARIZATION OPTION A

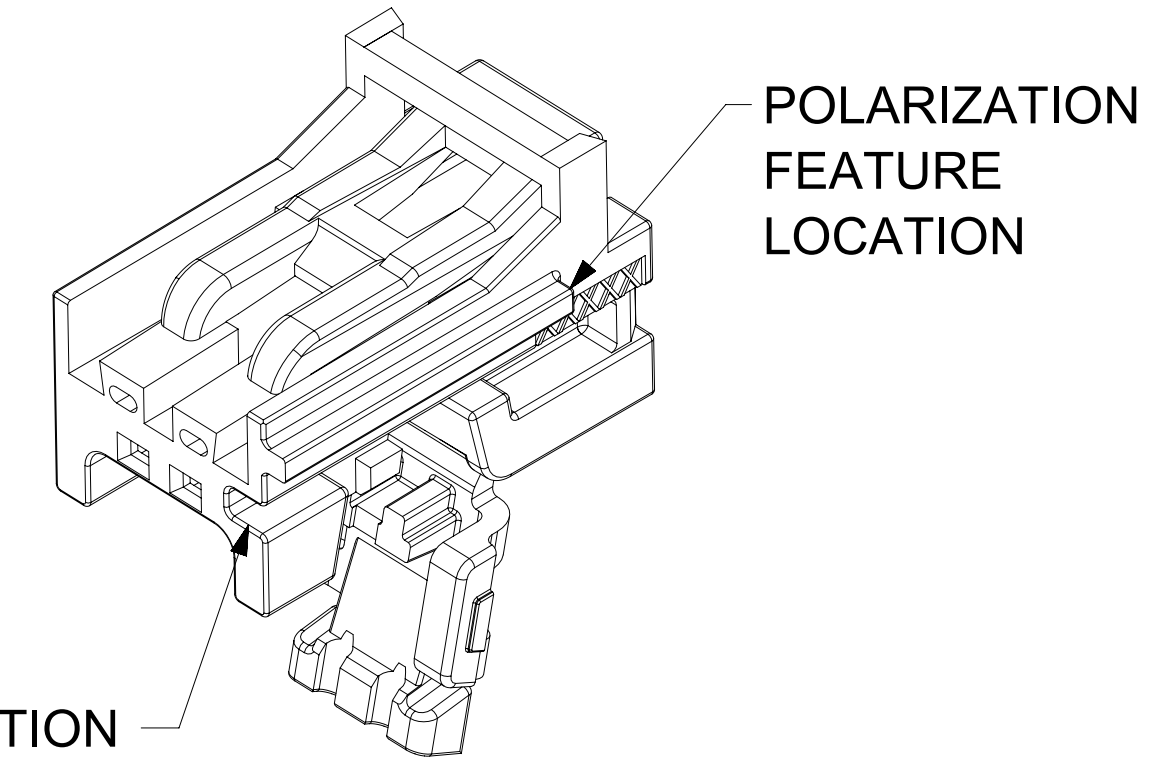


8 CIRCUIT RECEPTACLE NO BRIDGE
POLARIZATION OPTION B



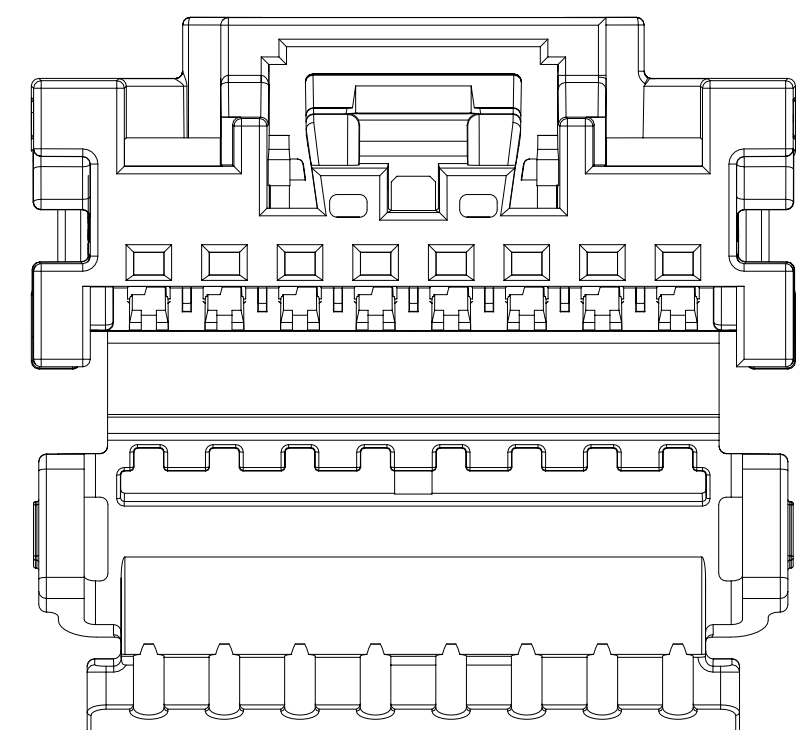
8 CIRCUIT RECEPTACLE NO BRIDGE
POLARIZATION OPTION C

2 CIRCUIT RECEPTACLE SHOWN
(AS SHIPPED)

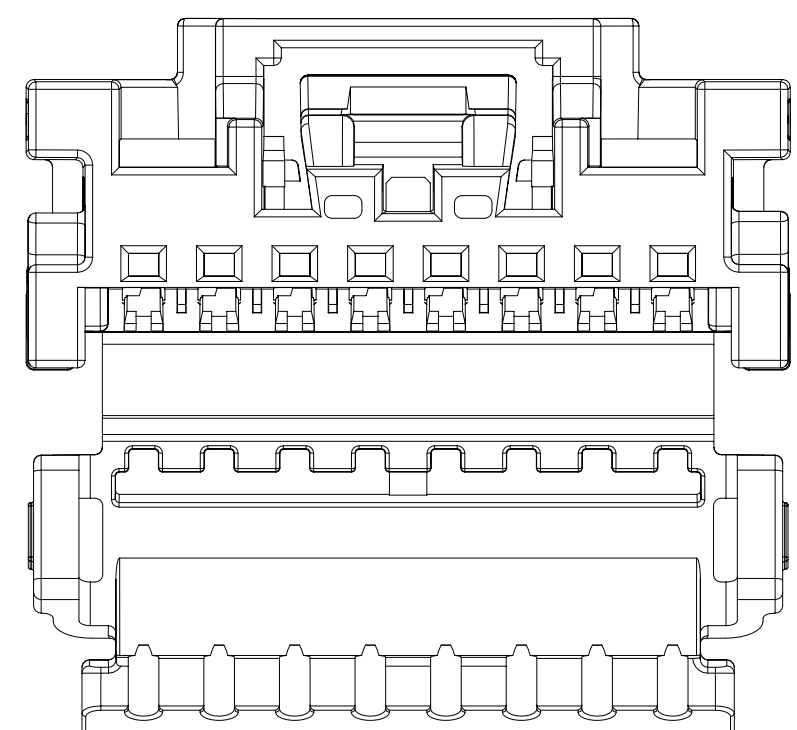


POLARIZATION
FEATURE
LOCATION

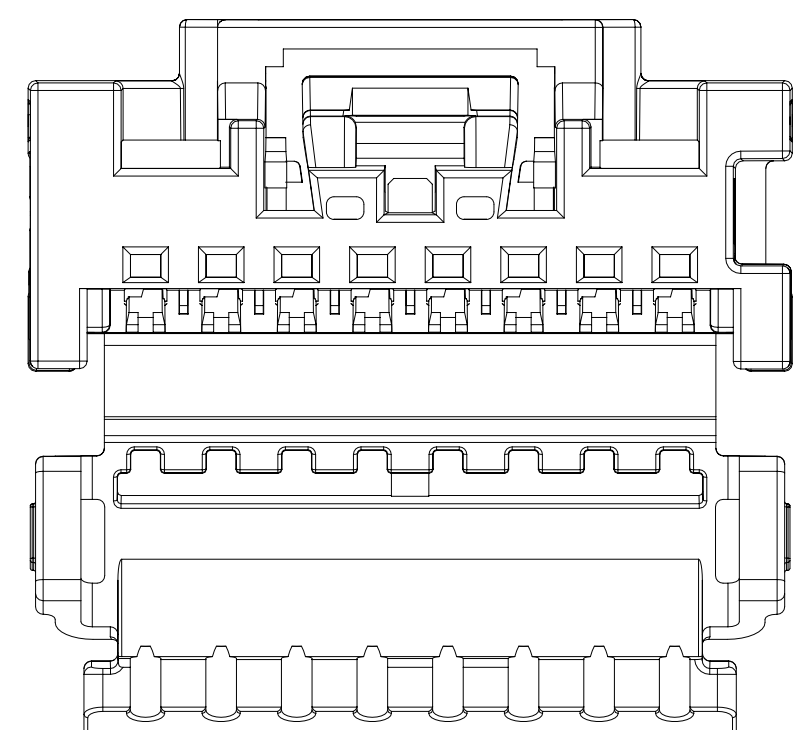
POLARIZATION
FEATURE
LOCATION



8 CIRCUIT RECEPTACLE BRIDGED
POLARIZATION OPTION A

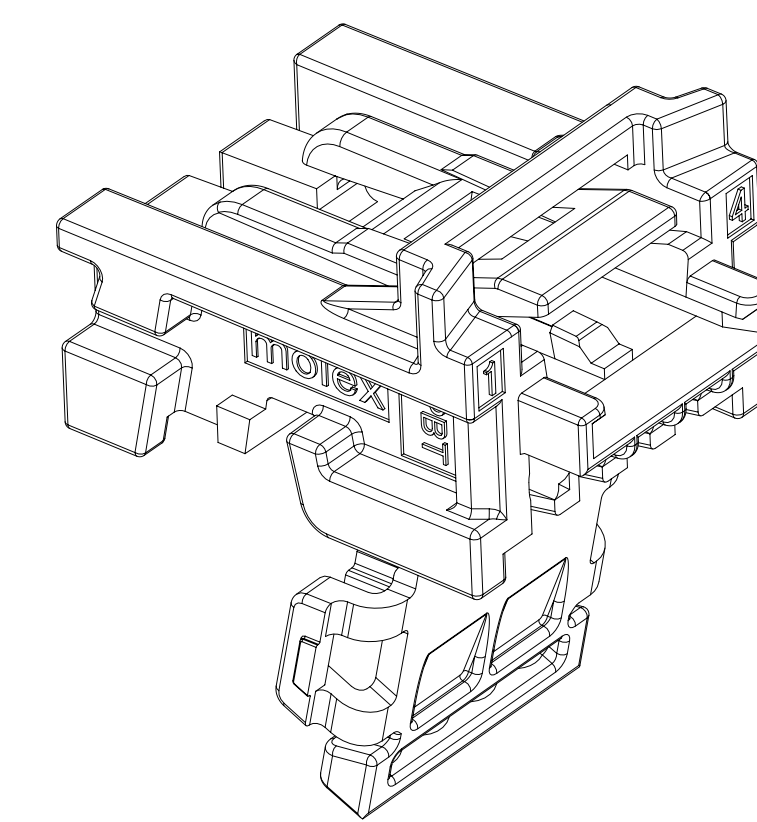


8 CIRCUIT RECEPTACLE BRIDGED
POLARIZATION OPTION B



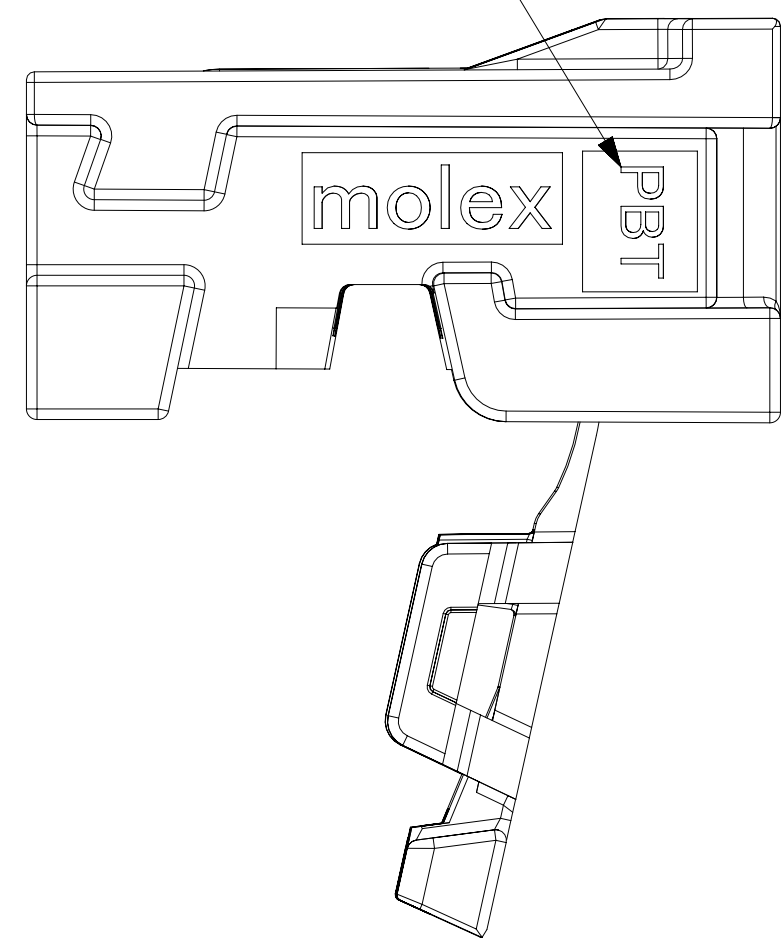
8 CIRCUIT RECEPTACLE BRIDGED
POLARIZATION OPTION C

4 CIRCUIT RECEPTACLE SHOWN
(AS SHIPPED)



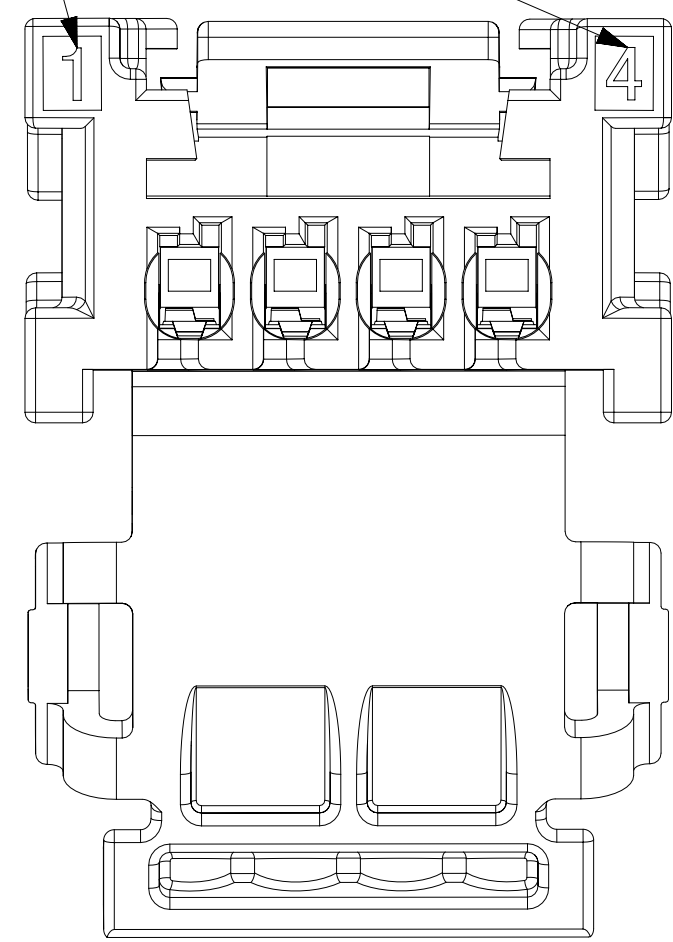
MINI50 WITH BRIDGE OPTION
COMES WITH CPA TRAY
REFER TO SD-34824-003 FOR
CPA-RECEPTACLE ASSEMBLIES

RECYCLING CODE

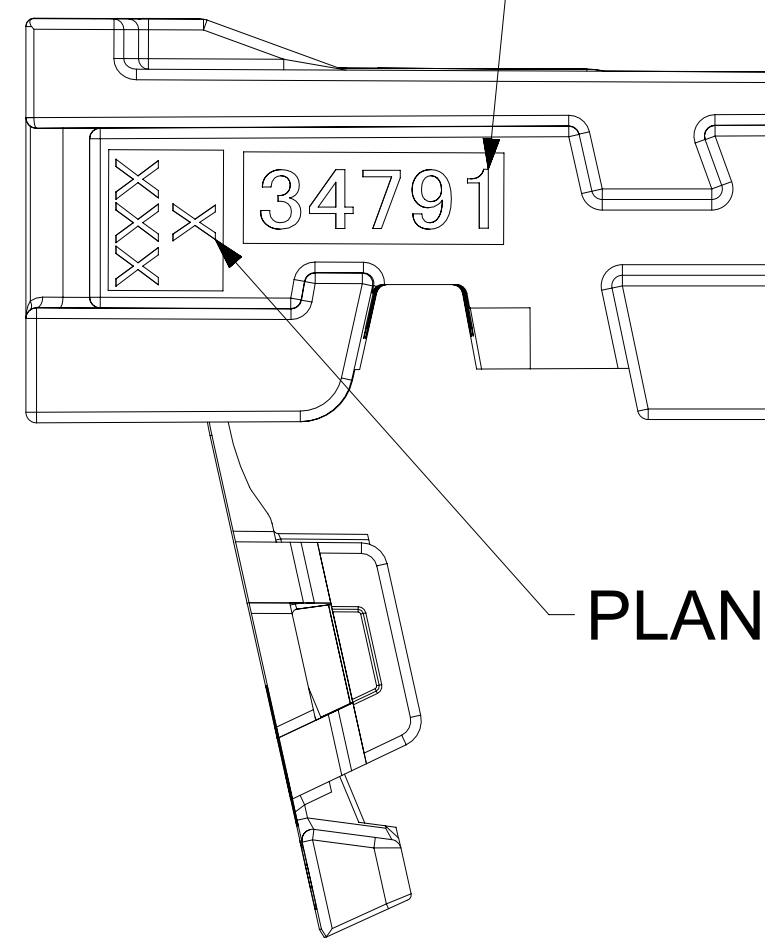


SCALE 7:1

CIRCUIT ID



PART SERIES NUMBER

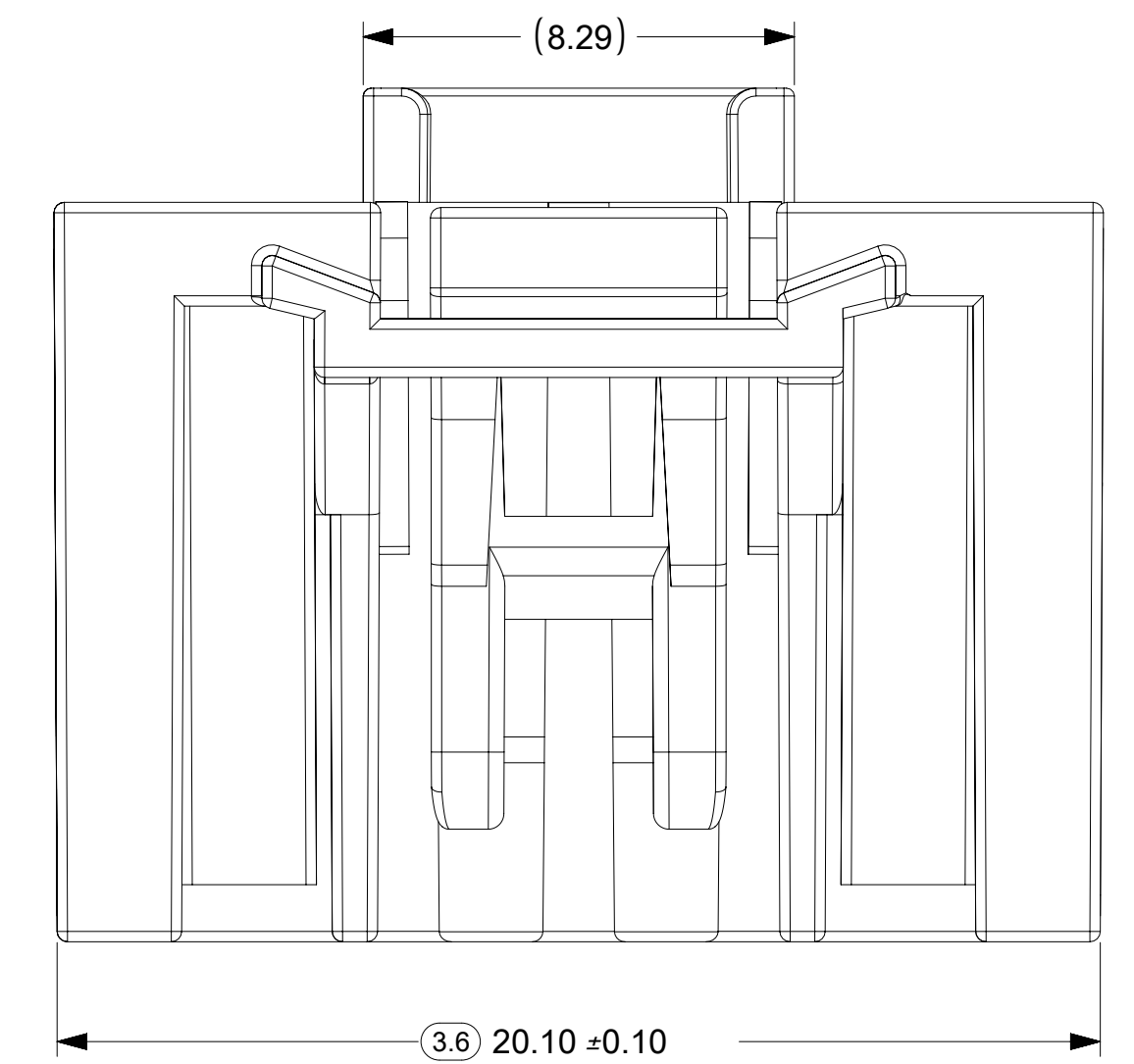
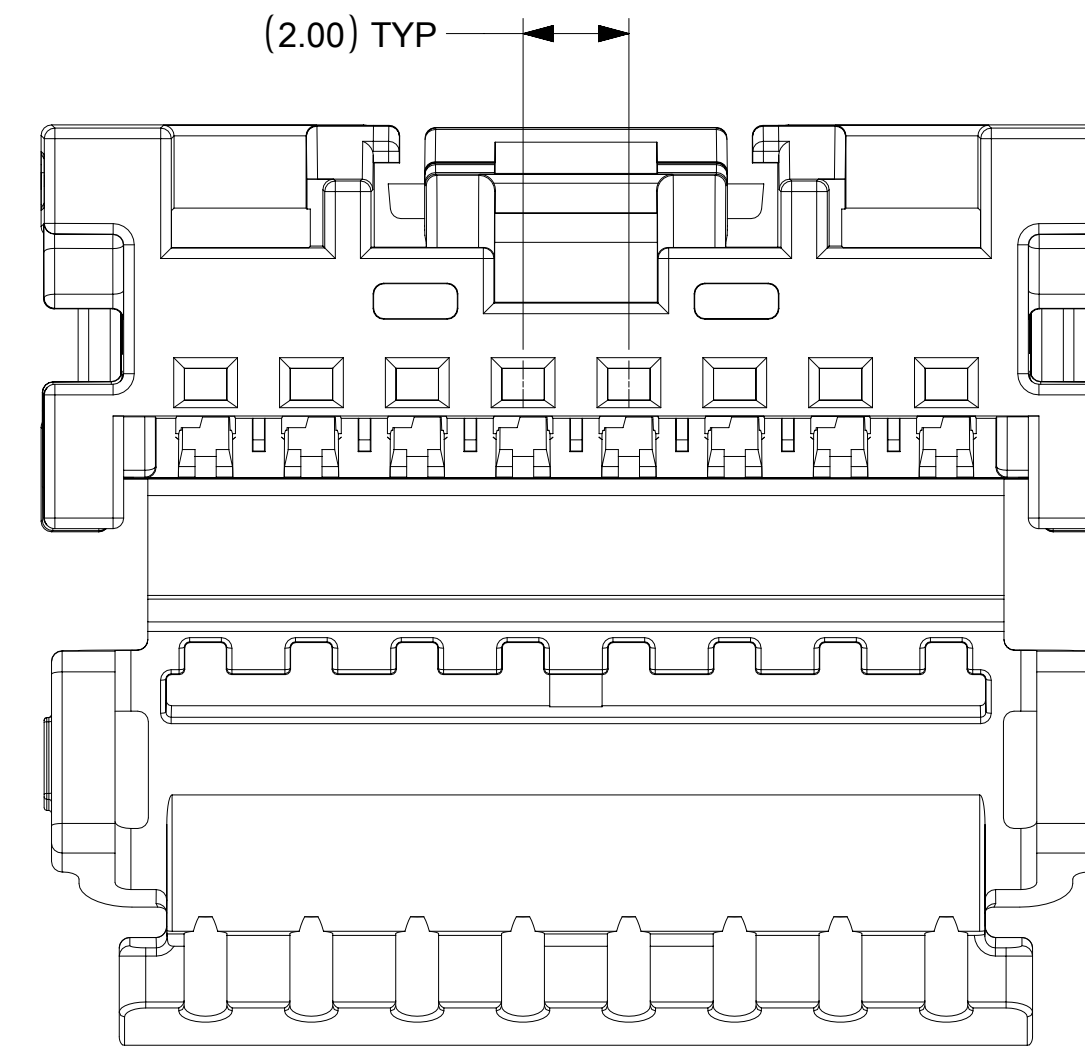
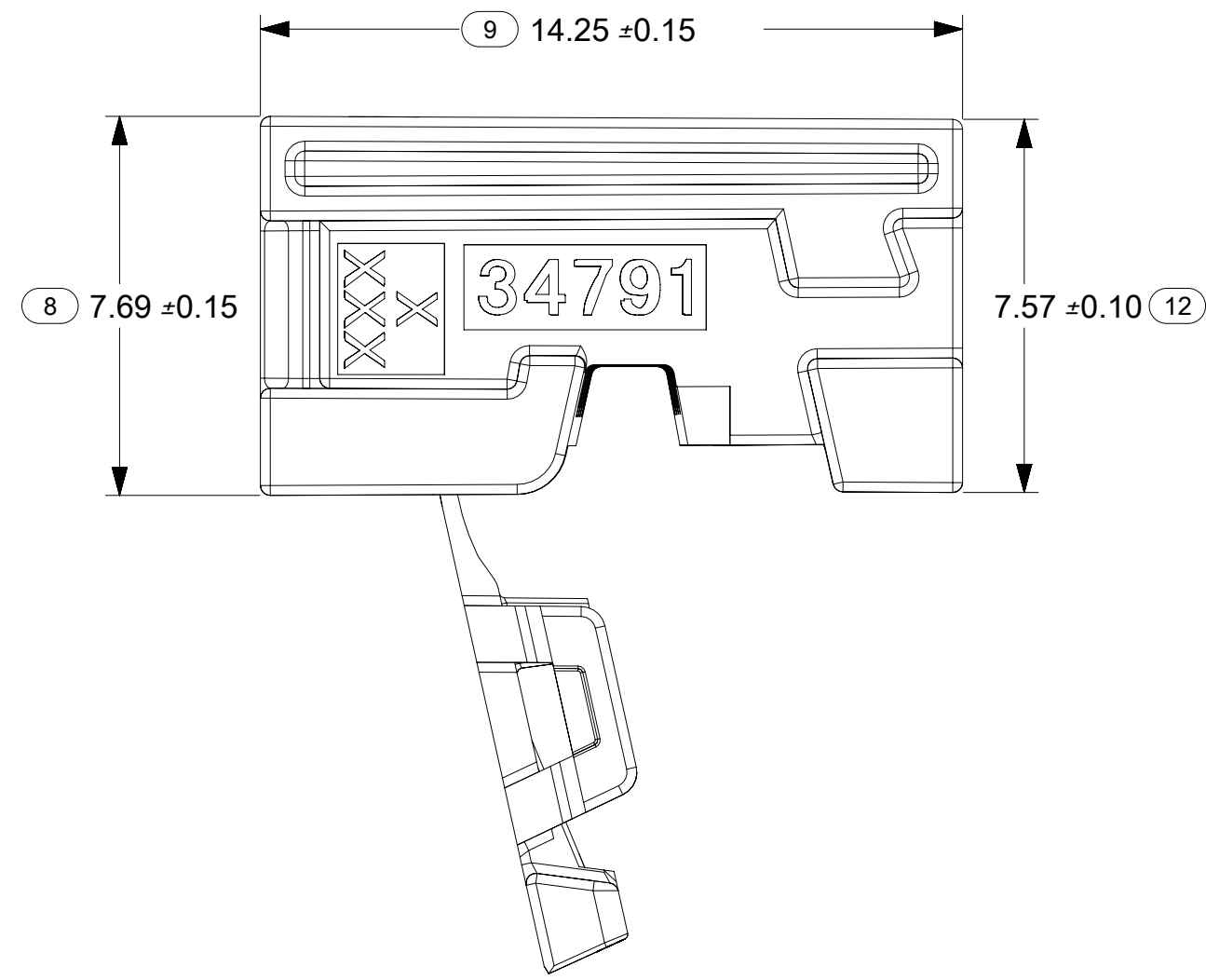
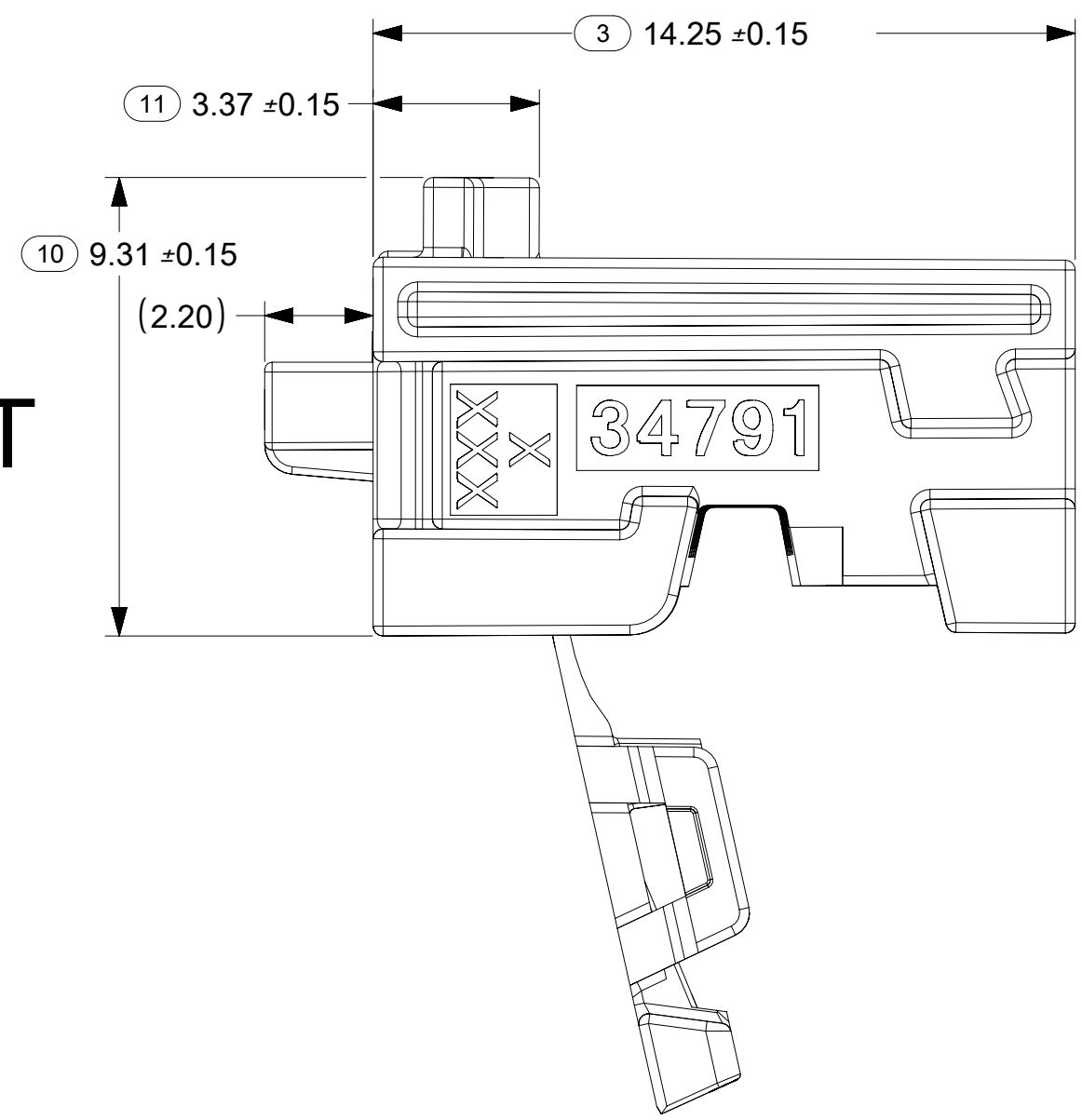


SCALE 7:1

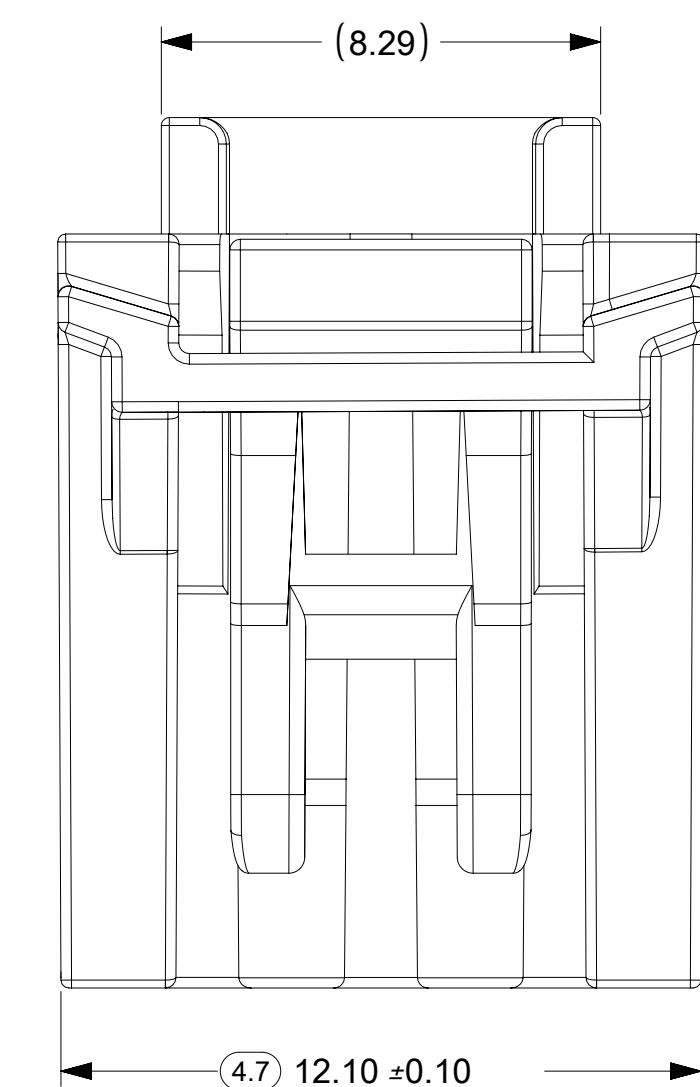
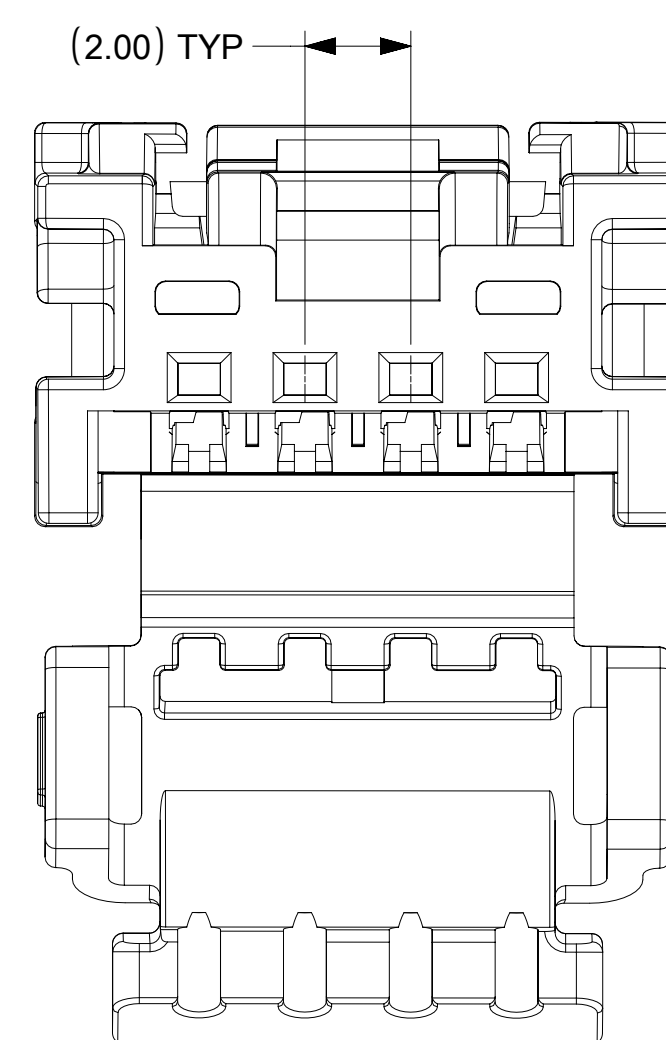
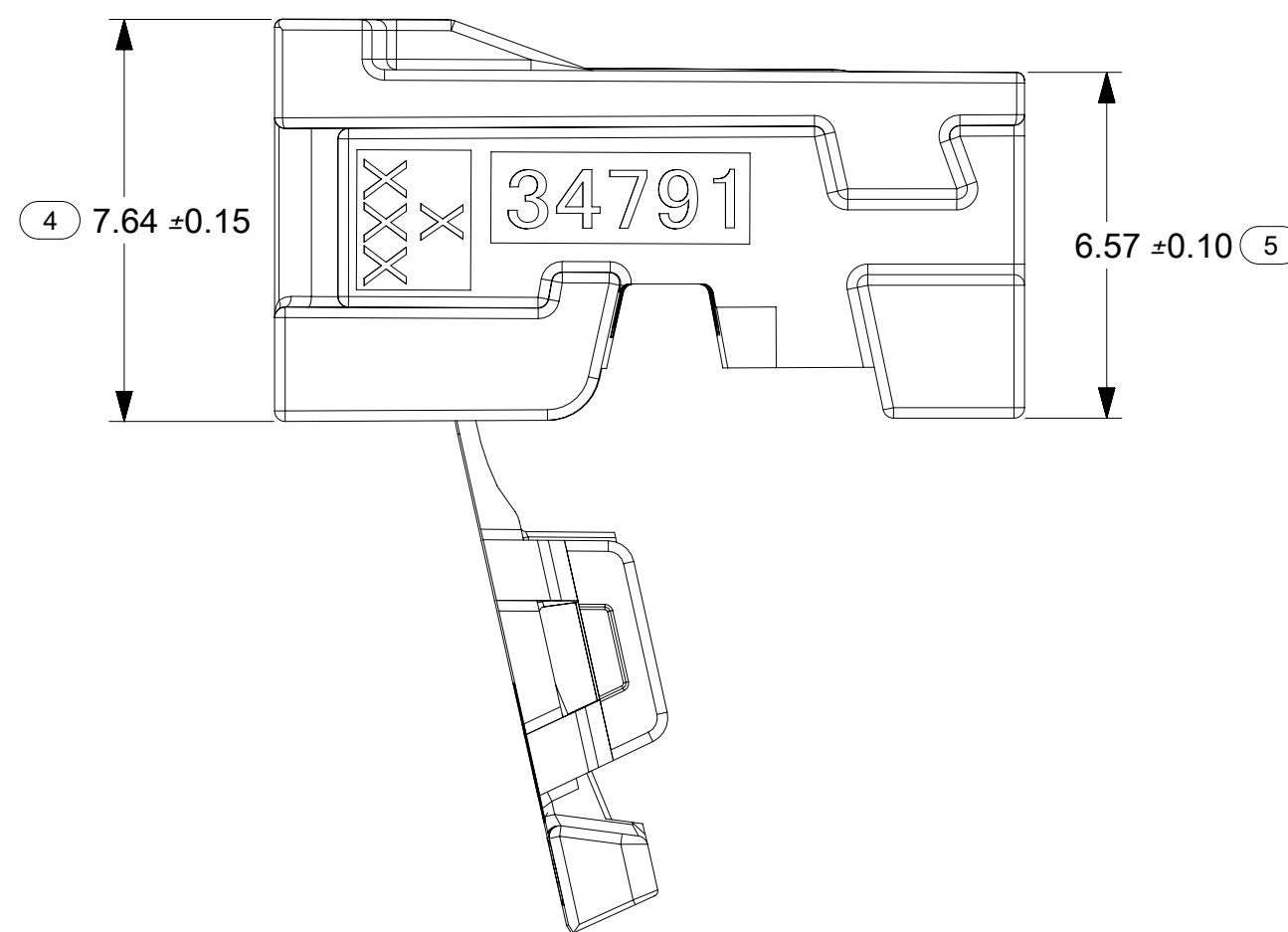
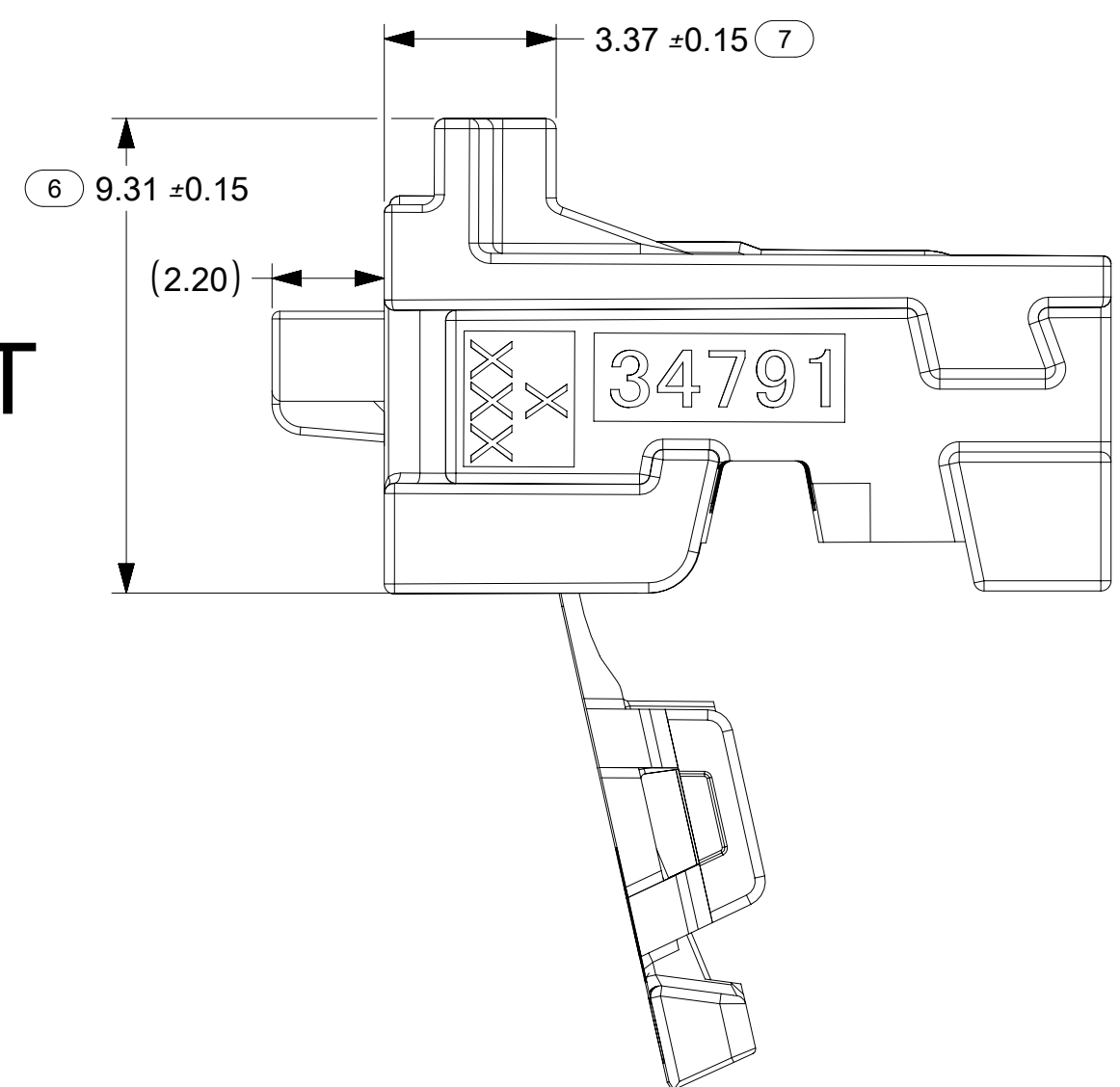
PLANT CODE & CAVITY ID

THIS DRAWING CONTAINS INFORMATION THAT IS PROPRIETARY TO MOLEX ELECTRONIC TECHNOLOGIES, LLC AND SHOULD NOT BE USED WITHOUT WRITTEN PERMISSION									
DIMENSION UNITS	SCALE	CURRENT REV DESC:							
mm	5:1	<p>molex</p> <p>MINI50 SINGLE ROW RECEPTACLE SALES DWG</p> <p>PRODUCT CUSTOMER DRAWING</p>							
GENERAL TOLERANCES (UNLESS SPECIFIED)									
ANGULAR TOL	± °								
4 PLACES	±								
3 PLACES	±								
2 PLACES	±								
1 PLACE	±	EC NO: 643896							
0 PLACES	±	DRWN: SRUSS	2020/03/30						
		CHK'D: SRUSS	2020/08/17						
		APPR: JDUNAJ	2020/09/03						
		INITIAL REVISION:							
		DRWN: SMAHESHBABU	2017/02/22						
		APPR: TMACHUGA	2017/05/04						
DRAFT WHERE APPLICABLE MUST REMAIN WITHIN DIMENSIONS		THIRD ANGLE PROJECTION	DRAWING	SERIES	MATERIAL NUMBER	CUSTOMER	SHEET NUMBER		
			D-SIZE	34791		GENERAL MARKET	2 OF 4		

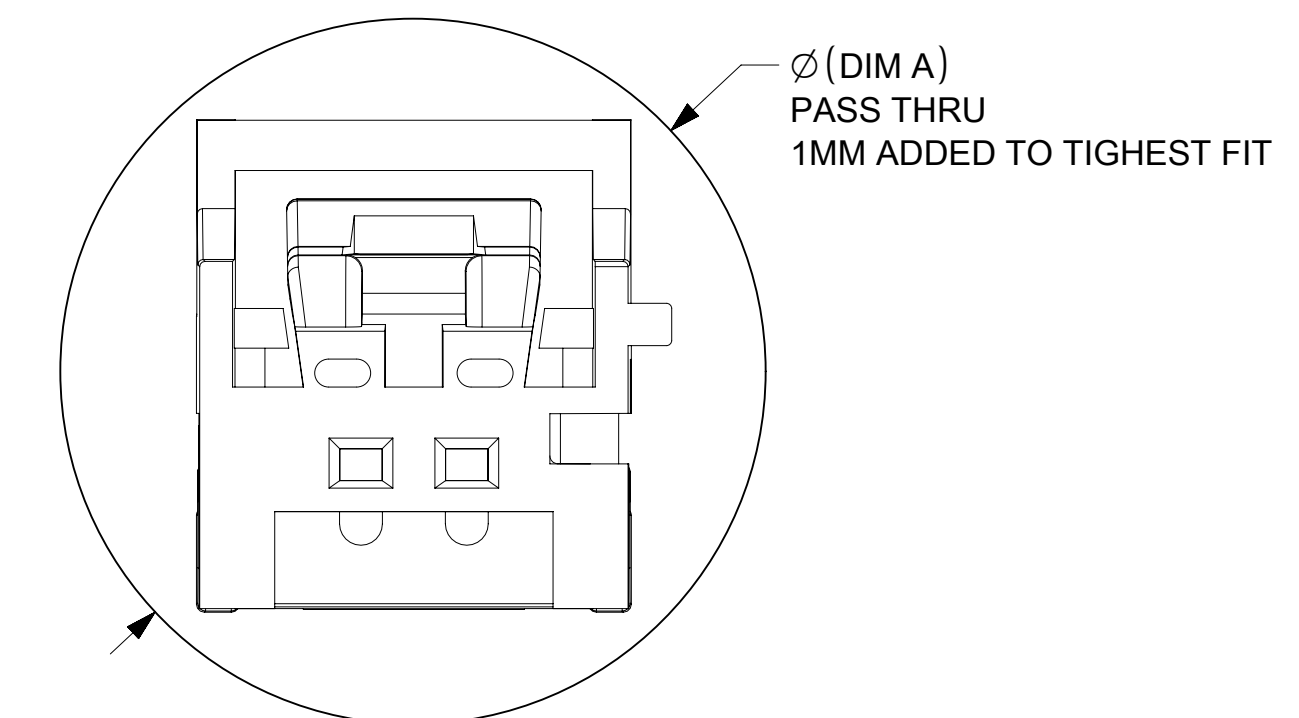
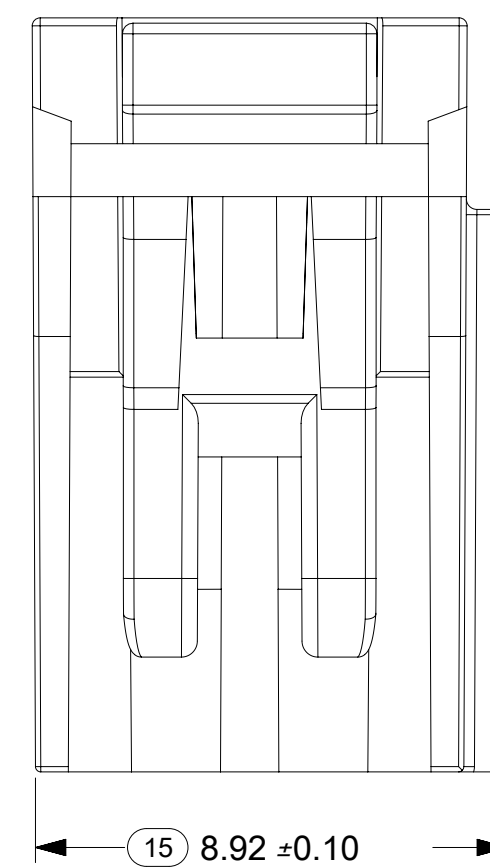
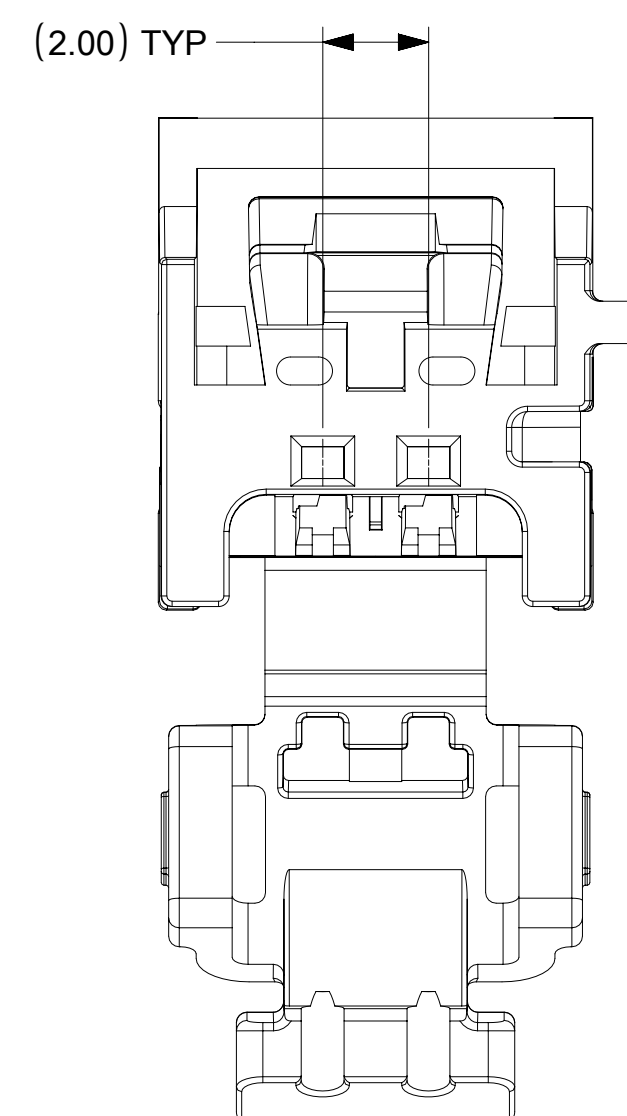
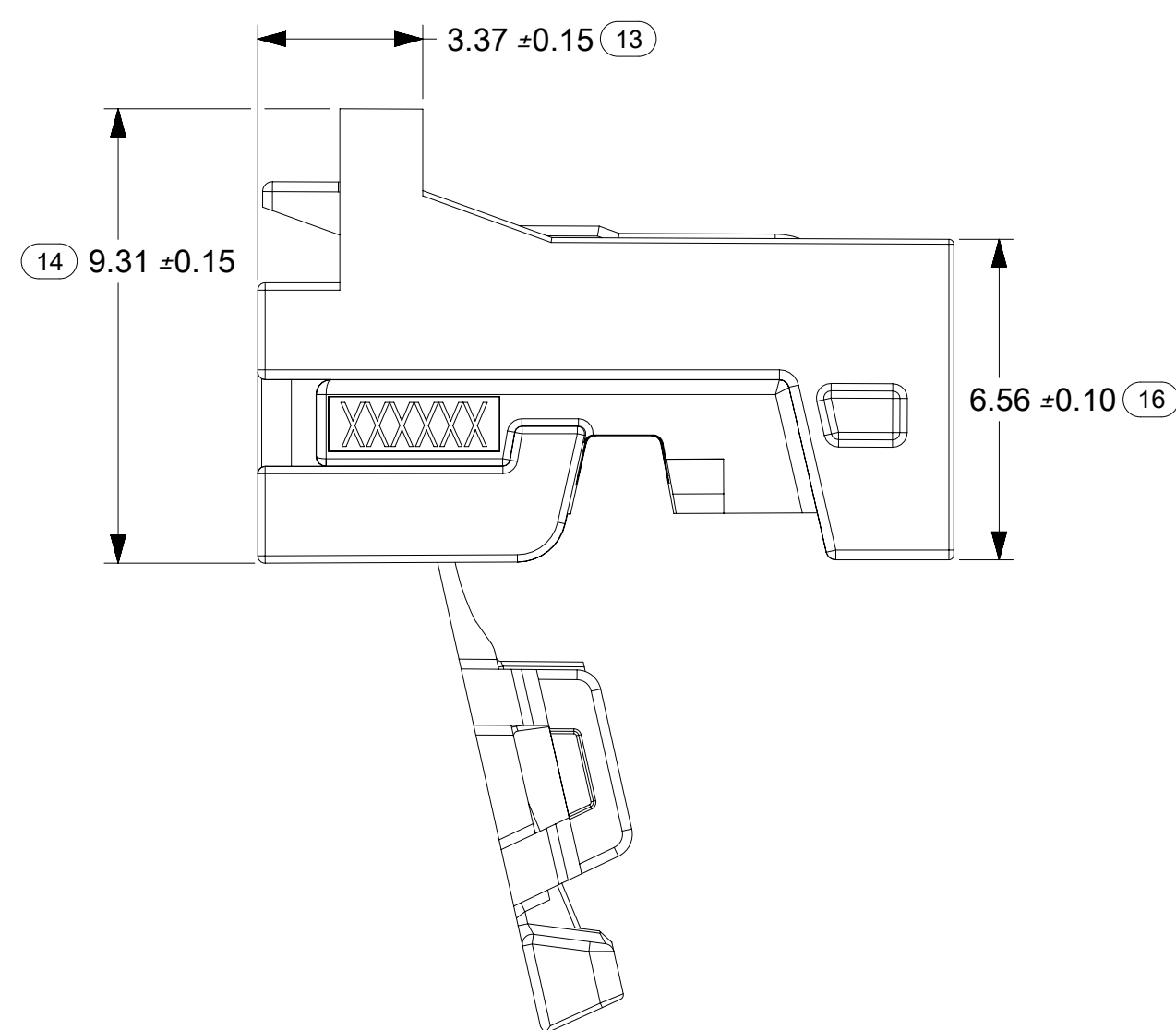
8 CIRCUIT



4 CIRCUIT



2 CIRCUIT



THIS DRAWING CONTAINS INFORMATION THAT IS PROPRIETARY TO MOLEX ELECTRONIC TECHNOLOGIES, LLC AND SHOULD NOT BE USED WITHOUT WRITTEN PERMISSION											
DIMENSION UNITS		SCALE		CURRENT REV DESC:							
mm		7:1									
GENERAL TOLERANCES (UNLESS SPECIFIED)											
ANGULAR TOL ± °											
4 PLACES ±		EC NO: 643896									
3 PLACES ±		DRWN: SRUSS		2020/03/30							
2 PLACES ±		CHK'D: SRUSS		2020/08/17							
1 PLACE ±		APPR: JDUNAJ		2020/09/03							
0 PLACES ±		INITIAL REVISION:									
		DRWN: SMAHESHBABU		2017/02/22							
		APPR: TMACHUGA		2017/05/04							
DRAFT WHERE APPLICABLE MUST REMAIN WITHIN DIMENSIONS			THIRD ANGLE PROJECTION		DRAWING		SERIES		MATERIAL NUMBER		
					D-SIZE		34791		GENERAL MARKET		
DOCUMENT STATUS				RELEASE DATE		CUSTOMER		SHEET NUMBER		SHEET NUMBER	
P1				2020/09/03 01:58:54		GENERAL MARKET		3 OF 4		3 OF 4	

molex

MINI50 SINGLE ROW RECEPTACLE SALES DWG

PRODUCT CUSTOMER DRAWING


DOCUMENT NUMBER: SD-34791-001
DOC TYPE: PSD
DOC PART: 000
REVISION: L6

MINI50 RECEPTACLES

MATERIAL NUMBER BULK PACKAGING PK-31301-538	LOCK BRIDGE OPTION	CONFIGURATION	CIRCUIT	POL	COLOR	DIM A	MATING COMPONENT									
							SURFACE MOUNT TECHNOLOGY (SMT) HEADER-TIN TAPE AND REEL PACKAGING PK-31301-786		SURFACE MOUNT TECHNOLOGY (SMT) HEADER-GOLD TUBE PACKAGING PK-31301-688		VERTICAL THRU HOLE HEADER TRAY PACKAGING PK-31301-440		RIGHT ANGLE THRU HOLE HEADERS TRAY PACKAGING PK-31301-440		TUBE PACKAGING PK-31301-688	
							TAPE AND REEL PACKAGING PK-31301-786	TUBE PACKAGING PK-31301-688	TAPE AND REEL PACKAGING PK-31301-786	TUBE PACKAGING PK-31301-688	TRAY PACKAGING PK-31301-440	TUBE PACKAGING PK-31301-688	TRAY PACKAGING PK-31301-440	TUBE PACKAGING PK-31301-688		
34791-0040	NO	USCAR COMPATIBLE	4	A	BLACK	15.26	34912-8040	34912-9040	34912-6040	34912-5040	34792-0040	34792-9040	34793-0040	34793-9040		
34791-0041	NO	USCAR COMPATIBLE	4	B	GRAY		34912-8041	34912-9041	34912-6041	34912-5041	34792-0041	34792-9041	34793-0041	34793-9041		
34791-0042	NO	USCAR COMPATIBLE	4	C	DARK GRAY		34912-8042	34912-9042	34912-6042	34912-5042	34792-0042	34792-9042	34793-0042	34793-9042		
34791-0043	NO	USCAR COMPATIBLE	4	D	GREEN		34912-8043	34912-9043	34912-6043	34912-5043	34792-0043	34792-9043	34793-0043	34793-9043		
34791-0080	NO	USCAR COMPATIBLE	8	A	BLACK	22.52	34912-8080	34912-9080	34912-6080	34912-5080	34792-0080	34792-9080	34793-0080	34793-9080		
34791-0081	NO	USCAR COMPATIBLE	8	B	GRAY		34912-8081	34912-9081	34912-6081	34912-5081	34792-0081	34792-9081	34793-0081	34793-9081		
34791-0082	NO	USCAR COMPATIBLE	8	C	DARK GRAY		34912-8082	34912-9082	34912-6082	34912-5082	34792-0082	34792-9082	34793-0082	34793-9082		
34791-0140	YES	USCAR COMPATIBLE	4	A	BLACK		34912-8040	34912-9040	34912-6040	34912-5040	34792-0040	34792-9040	34793-0040	34793-9040		
34791-0141	YES	USCAR COMPATIBLE	4	B	GRAY	16.09	34912-8041	34912-9041	34912-6041	34912-5041	34792-0041	34792-9041	34793-0041	34793-9041		
34791-0142	YES	USCAR COMPATIBLE	4	C	DARK GRAY		34912-8042	34912-9042	34912-6042	34912-5042	34792-0042	34792-9042	34793-0042	34793-9042		
34791-0143	YES	USCAR COMPATIBLE	4	D	GREEN		34912-8043	34912-9043	34912-6043	34912-5043	34792-0043	34792-9043	34793-0043	34793-9043		
34791-0180	YES	USCAR COMPATIBLE	8	A	BLACK		34912-8080	34912-9080	34912-6080	34912-5080	34792-0080	34792-9080	34793-0080	34793-9080		
34791-0181	YES	USCAR COMPATIBLE	8	B	GRAY	22.52	34912-8081	34912-9081	34912-6081	34912-5081	34792-0081	34792-9081	34793-0081	34793-9081		
34791-0182	YES	USCAR COMPATIBLE	8	C	DARK GRAY		34912-8082	34912-9082	34912-6082	34912-5082	34792-0082	34792-9082	34793-0082	34793-9082		
34791-0020	YES	MOLEX	2	A	BLACK		34912-8020	34912-9020	34912-6020	34912-5020	N/A	N/A	N/A	N/A		
34791-0021	YES	MOLEX	2	B	GRAY		34912-8021	34912-9021	34912-6021	34912-5021	N/A	N/A	N/A	N/A		
34791-0022	YES	MOLEX	2	C	DARK GRAY	13.33	34912-8022	34912-9022	34912-6022	34912-5022	N/A	N/A	N/A	N/A		
34791-0023	YES	MOLEX	2	D	GREEN		34912-8023	34912-9023	34912-6023	34912-5023	N/A	N/A	N/A	N/A		

CTX50 UNSEALED RECEPTACLE TERMINALS

PART NUMBER		MATERIAL	WIRE GAGE (mm ²)	GRIP
D-WIND (LEFT PAYOFF)	B-WIND (RIGHT PAYOFF)			
560023-0448	560023-0450	COPPER ALLOY	0.35	LARGE
560023-0421	560023-0423	COPPER ALLOY	0.22	MEDIUM
560023-0422	560023-0424	COPPER ALLOY	0.13	SMALL

THIS DRAWING CONTAINS INFORMATION THAT IS PROPRIETARY TO MOLEX ELECTRONIC TECHNOLOGIES, LLC AND SHOULD NOT BE USED WITHOUT WRITTEN PERMISSION																	
DIMENSION UNITS mm		SCALE 7:1		CURRENT REV DESC:						 MINI50 SINGLE ROW RECEPTACLE SALES DWG							
GENERAL TOLERANCES (UNLESS SPECIFIED)				EC NO: 643896 DRWN: SRUSS 2020/03/30 CHK'D: SRUSS 2020/08/17 APPR: JDUNAJ 2020/09/03													
ANGULAR TOL ± °		4 PLACES ±		3 PLACES ±		2 PLACES ±		1 PLACE ±		0 PLACES ±		INITIAL REVISION:					
DRAFT WHERE APPLICABLE MUST REMAIN WITHIN DIMENSIONS		THIRD ANGLE PROJECTION		DRAWING		SERIES		MATERIAL NUMBER		CUSTOMER		SHEET NUMBER					
DOCUMENT STATUS		P1		RELEASE DATE		2020/09/03 01:58:54		D-SIZE		34791		GENERAL MARKET		4 OF 4			
SD-34791-001				PSD		000		L6									