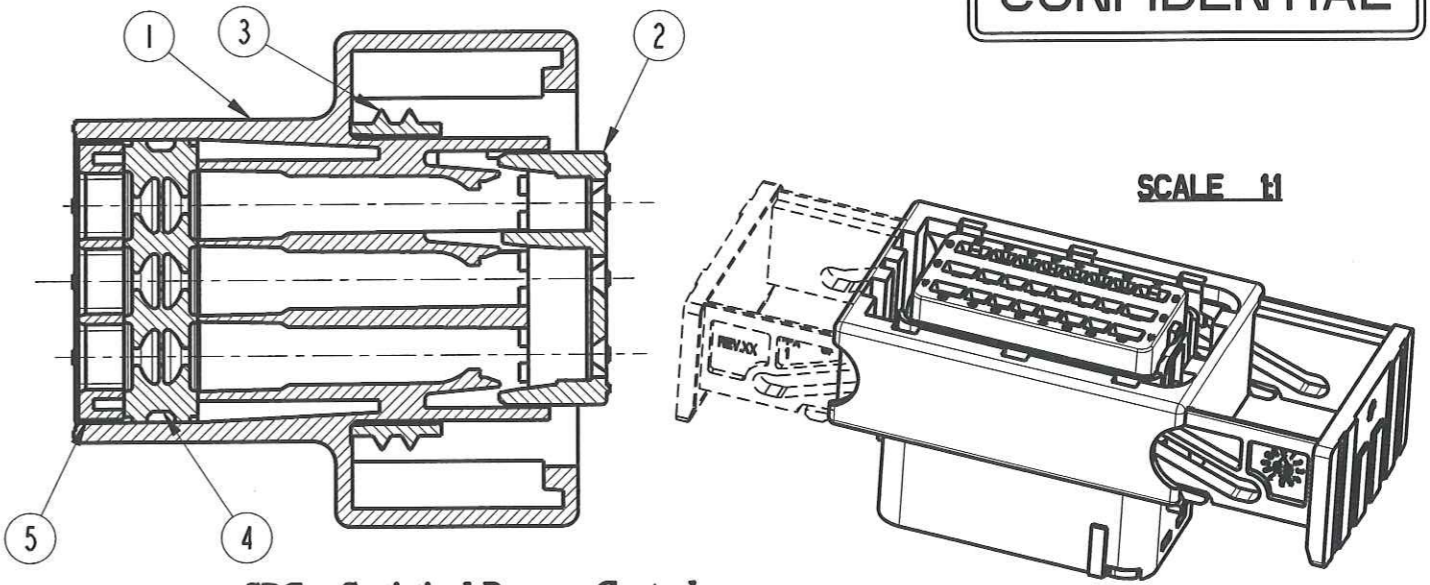


STRICTLY CONFIDENTIAL

SECTION A-A



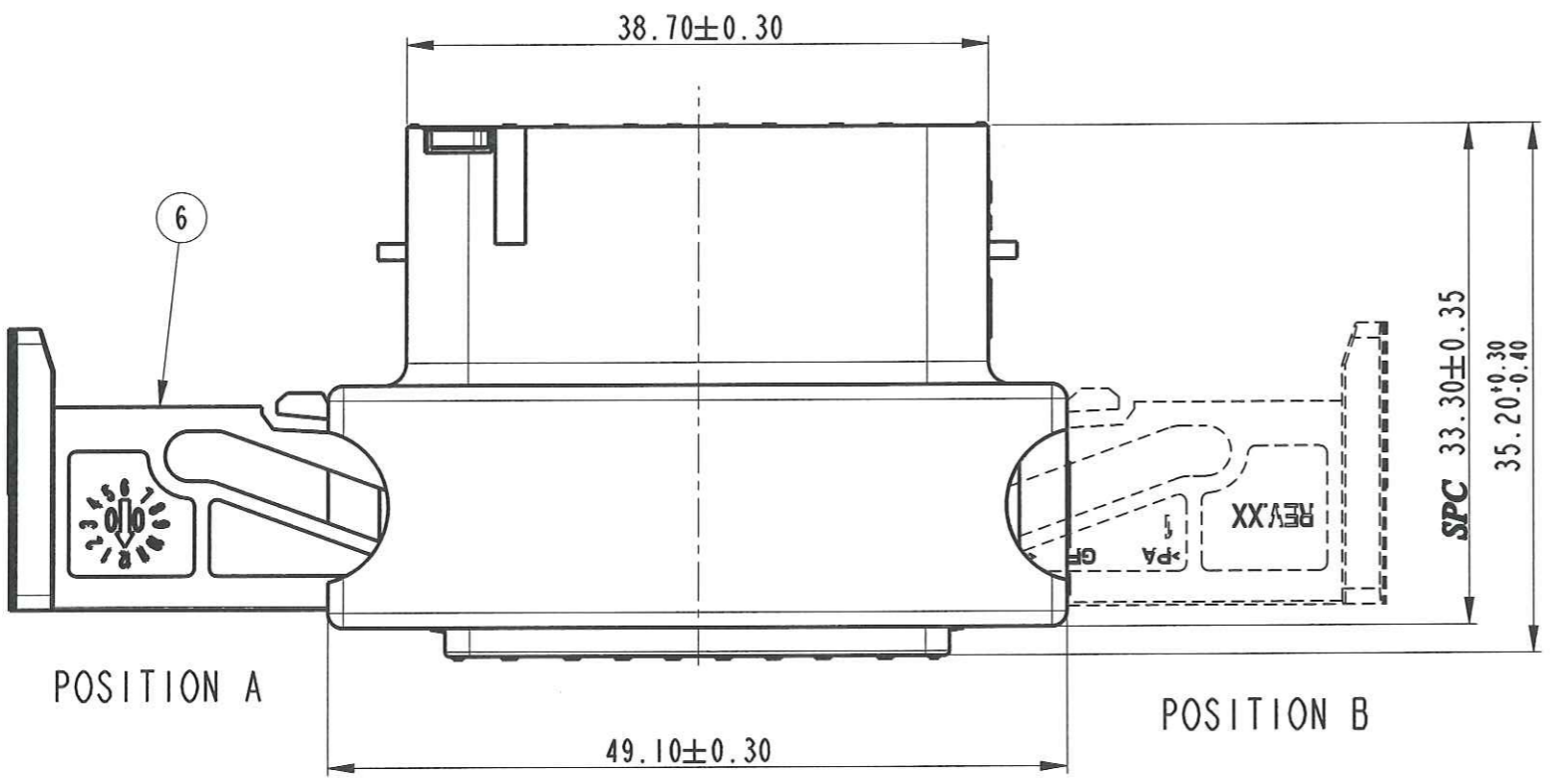
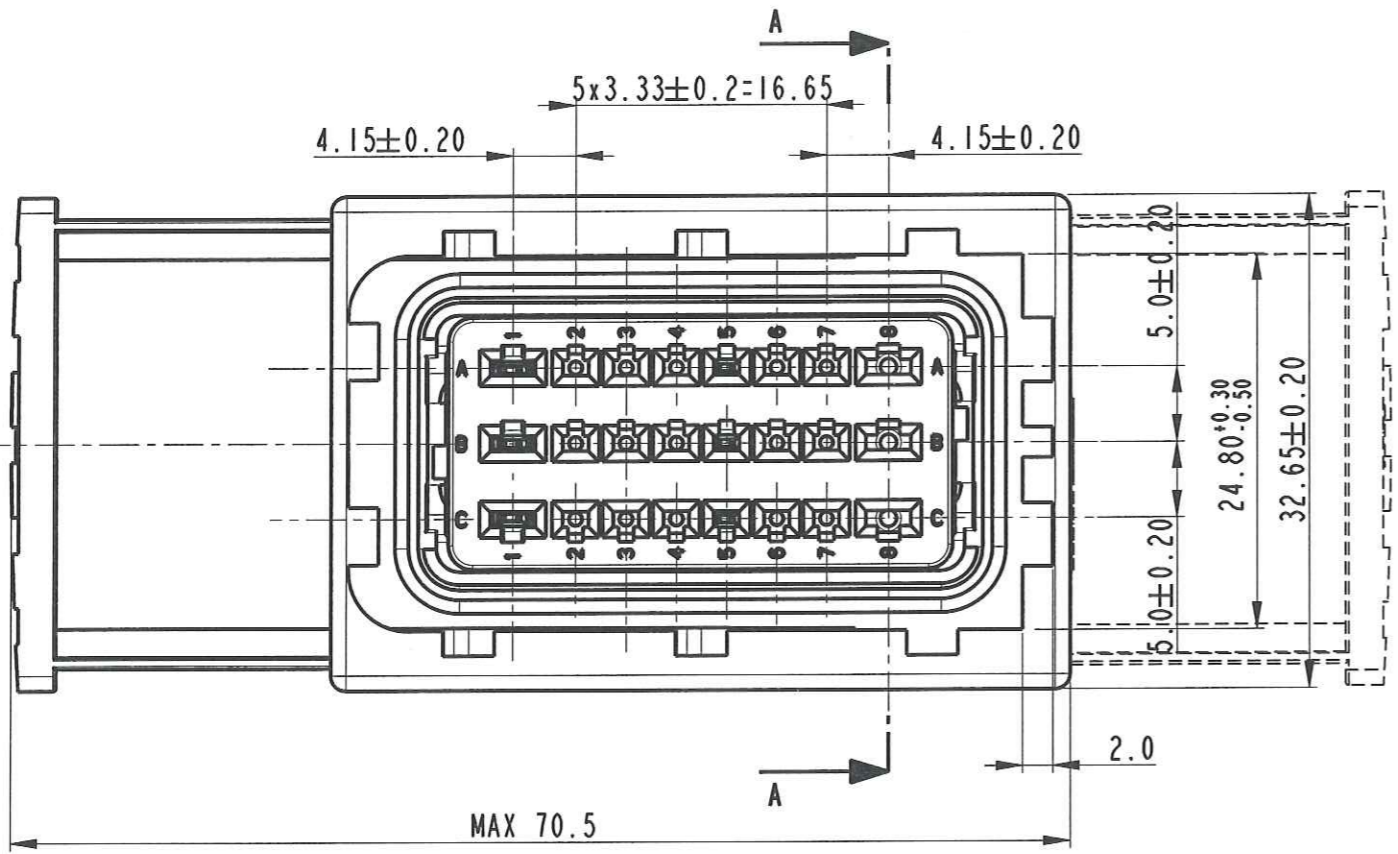
SPC Statistical Process Control

N°	DESCRIPTION	COLOR	MATERIAL
1	HOUSING	BLACK-BROWN BLUE-GREY	SEE SHEET 2/2
2	SEC. LOCK	YELLOW	PBT
3	GASKET	RED	SILICON
4	GROMMET	RED , GREEN or BLUE	SILICON
5	GROMMET STOP	BLACK	PBT
6	SLED	VIOLET or GREY	PA 6.6

ECN-NO. NUMERO -ECN	DATE DATA	DD/ MM / YY	REVISION REVISIONE	POSITION POSIZIONE	CHANGE DESCRIPTION DESCRIZIONE MODIFICA	DRAWN BY DISEGNATORE	CHK. BY CONTROLLATO	APPR. BY APPROVATO
14-11	05/08/11		A	--	Added pn 211PC249S8018			
38-07	02/05/07		11	C7	Added PN 211PC249S8063, Deleted PN 211PC249S8018 Reduced rib length	GB	FG	MC
29-2007	29-03-2007		10	--	Ass'y 211PC249S8043, changed Hsg-mil. It was PA 6	EC		MC
21-06	13-03-06		09	--	Added new PN	E.Cini		M.C.
ECN 85/05	16/12/05		08		See ECN Documentation	E.C.		M.C.
ECN 17/04	28/05/04		07		See ECN Documentation	E.C.		M.C.
ECN 10/04	17/02/04		06		ADDED 3 CATALOG NUMBERS (SEE SHEET 3)	R.R.G.S.		
ECN 41/03	05/11/03		05		RELEASED FOR PRODUCTION	R.R.G.S.		
	28/10/03		04		UPDATED DRAWING	R.R.G.S.		
	01/09/03		03		MODIFIED MATERIAL FOR THE FOLLOWING P/N 211PC249SX020 - 211PC249SX023 - 1211PC249SX033 WAS PA6 GF IS PBT GF	R.R.G.S.		
	28/05/03		02		ADDED P/N 211PC249SX043	R.R.G.S.		
	21/03/03		01		UPDATED DRAWING	R.R.G.S.		

PRODUCT SPEC. SPEC. DI PRODOTTO
PACKAGING SPEC. SPEC. DI IMBALLAGGIO
APPLICATION SPEC. SPEC. DI APPLICAZIONE
THIS DRAWING AND ALL OTHER INFORMATION CONTAINED THEREIN IS PROPRIETARY AND THE PROPERTY OF FCI. This drawing may not be copied, reproduced or disclosed to any third party without the expressed written permission of FCI.
QUESTO DISEGNO ED OGNI ALTRA INFORMAZIONE IN ESSO CONTENUTA SONO ESCLUSIVI E DI PROPRIETA' DELLA FCI. Questo disegno non puo' essere copiato, riprodotto o divulgato a terzi senza l'espresso consenso scritto della FCI.
© FCI April 1999

TOLERANCES TOLLERANZE	± 0.3 mm. 1 ± 1°	MATERIAL : MATERIALE :	see atble	SURFACE FINISH FINITURA SUPERFICIALE		ISO PROJECTION PROIEZIONE ISO	pro / eng.
COUNTERPART Nr. CONTROPARTE Nr.		COLOUR : COLORE :				DIMENSION IN MILLIMETERS DIMENSIONI IN MILLIMETRI	DWG SIZE FORMATO
DO NOT SCALE DRAWING DISEGNO FUORI SCALA		TOOL NO.		LOC. CODE NAZIONALITA'	IT		A3
DRAWN BY DISEGNATORE	DATE DATA	NAME NOME	TITLE DESCRIZIONE	DRAWING NUMBER NUMERO DISEGNO			SHEET FOGLIO
CHECKED BY CONTROLLATO	09/01/03	R. Rampone	24 WAYS SECTIONING ASSEMBLY FEMALE HOLDER	FSC 309602			1 of 1 di 2
APPROVED BY APPROVATO	09/01/03	G. Stella	ESR NO. NUMERO ESR	ITA2043	CAT. NO. NUMERO CAT.	see table	SCALE SCALA
				FILE NAME NOME FILE	fsc309602_conn_pf		2:1



COLOR	BLACK	GREY	BROWN	BLUE
CODING TABLE Tavola di codifica				
TOLERANCES ±0.2 Tolleranze	8.0 2.0	8.4	4.0 4.2 3.8	4.2 4.0 3.8
FRONT VIEW Vista frontale				
LEGEND ■: FULL Pieno	8.4	8.0 16.4±0.2	0.2±0.1 4.2 4.0	0.2±0.1 4.2 4.0

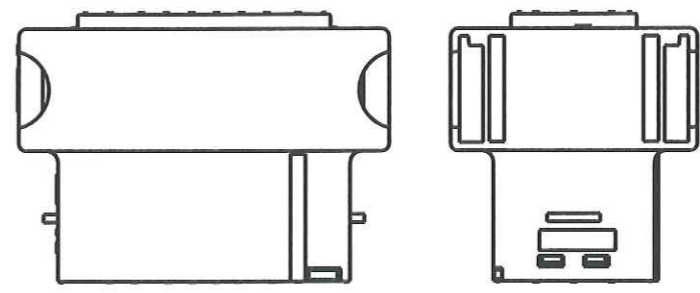
COMPONENTS

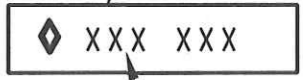
ASSEMBLY P/Nbr.	HOUSING	HOUSING MATERIAL	SEC. LOCK	GASKET	GROMMET "RED"	GROMMET "GREEN"	GROMMET "BLUE"	GROMMET STOP BLACK	GROMMET STOP 12w GREEN	SLED VIOLET "RENAULT"	SLED VIOLET "NEUTRAL" Position -A-	SLED VIOLET "NEUTRAL" Position -B-	SLED "GREY"	DETAIL X
2IIPC249S018	Brown	PA 6	Yes	Yes	Yes			Yes			Yes			
2IIPC249S6018	Blue	PA 6	Yes	Yes	Yes			Yes			Yes			
2IIPC249S0031	Black	PA 6	Yes	Yes	Yes			Yes				Yes		
2IIPC249S031	Brown	PA 6	Yes	Yes	Yes			Yes				Yes		
2IIPC249S6031	Blue	PA 6	Yes	Yes	Yes			Yes				Yes		
2IIPC249S8031	Grey	PA 6	Yes	Yes	Yes			Yes				Yes		
2IIPC249S8018	Grey	PA 6	Yes	Yes		Yes		Yes			Yes			
2IIPC249S0020	Black	PBT	Yes											
2IIPC249S0020A	Black	PBT	Yes								Yes			
2IIPC249S0020B	Black	PBT	Yes									Yes		
2IIPC249S020	Brown	PBT	Yes											
2IIPC249S020A	Brown	PBT	Yes								Yes			
2IIPC249S020B	Brown	PBT	Yes									Yes		
2IIPC249S6020	Blue	PBT	Yes											
2IIPC249S8020	Grey	PBT	Yes											
2IIPC249S8020A	Grey	PBT	Yes								Yes			
2IIPC249S8020B	Grey	PBT	Yes									Yes		
2IIPC249S0023	Black	PBT	Yes	Yes	Yes			Yes						
2IIPC249S023	Brown	PBT	Yes	Yes	Yes			Yes						
2IIPC249S6023	Blue	PBT	Yes	Yes	Yes			Yes						
2IIPC249S8023	Grey	PBT	Yes	Yes	Yes			Yes						
2IIPC249S0033	Black	PBT	Yes	Yes		Yes		Yes						
2IIPC249S033	Brown	PBT	Yes	Yes		Yes		Yes						
2IIPC249S6033	Blue	PBT	Yes	Yes		Yes		Yes						
2IIPC249S8033	Grey	PBT	Yes	Yes		Yes		Yes						
2IIPC249S0043	Black	PA 6	Yes	Yes			Yes	Yes						
2IIPC249S043	Brown	PA 6	Yes	Yes			Yes	Yes						
2IIPC249S6043	Blue	PA 6	Yes	Yes			Yes	Yes						
2IIPC249S8043	Grey	PBT	Yes	Yes			Yes	Yes						
2IIPC249S0005	Black	PBT	Yes	Yes	Yes			Yes						Yes
2IIPC249S005	Brown	PBT	Yes	Yes	Yes			Yes						Yes
2IIPC249S6005	Blue	PBT	Yes	Yes	Yes			Yes						Yes
2IIPC249S8005	Grey	PBT	Yes	Yes	Yes			Yes						Yes
2IIPC249S0053	Black	PBT	Yes	Yes		Yes		Yes				Yes		
2IIPC249S053	Brown	PBT	Yes	Yes		Yes		Yes				Yes		
2IIPC249S8053	Grey	PBT	Yes	Yes		Yes		Yes				Yes		
2IIPC249S8063	Grey	PBT	Yes	Yes		Yes		Yes			Yes			
1 726 12 05	Black	PBT	Yes	Yes		Yes			Yes					

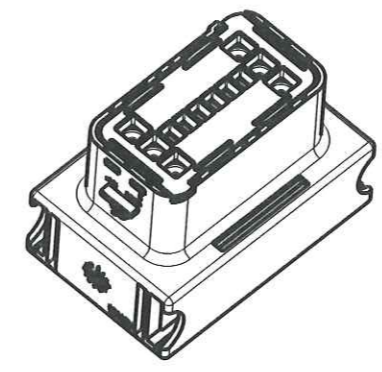
DRAWING DISEGNO: C

STRICTLY CONFIDENTIAL



DETAIL "X"
 (Specific only for PN 2IIPC249S0005, 2IIPC249S0005, 2IIPC249S6005, 2IIPC249S8005)



Code Renault

 Text height 2 mm
 in relief 0.1 mm



1 726 12 05
 12 WAYS CLOSED VERSION
 A2, A3, A4, A5, A6, A7
 C2, C3, C4, C5, C6, C7

ECN-NO. / NUMERO -ECN	DATE / DATA	DD / MM / YY	REVISION / REVISIONE	POSITION / POSIZIONE	CHANGE DESCRIPTION / DESCRIZIONE MODIFICA	DRAWN BY / DISEGNATORE	CHK. BY / CONTROLLATO	APPR. BY / APPROVATO
14-11	05/08/11		A	--	Added pn 2IIPC249S8018			
38-07	02-05-07		11		Added PN 2IIPC249S8063, Deleted PN 2IIPC249S8018 Reduced rib length	GB	FG	MC
29-2007	29-03-2007		10	C-8	Ass'y 2IIPC249S8043, changed Hsq-mtl. It was PA 6	EC		MC
21-06	13-03-06		09	--	Added new PN	E.Cini		M.C.
ECN 85/05	16/12/05		08		See ECN Documentation	E.C.		M.C.
ECN 17/04	28/05/04		07		See ECN Documentation	E.C.		M.C.
ECN 10/04	17/02/04		06		ADDED 3 CATALOG NUMBERS (SEE SHEET 3)	R.R.	G.S.	
ECN 41/03	05/11/03		05		RELEASED FOR PRODUCTION	R.R.	G.S.	
	28/10/03		04		UPDATED DRAWING	R.R.	G.S.	
	01/09/03		03		MODIFIED MATERIAL FOR THE FOLLOWING P/N 2IIPC249S020 - 2IIPC249S023 - 12IIPC249S033 WAS PA6 GF 1S PBT GF	R.R.	G.S.	
	28/05/03		02		ADDED P/N 2IIPC249S043	R.R.	G.S.	
	21/03/03		01		UPDATED DRAWING	R.R.	G.S.	
PRODUCT SPEC. / SPEC. DI PRODOTTO: - PACKAGING SPEC. / SPEC. DI IMBALLAGGIO: - APPLICATION SPEC. / SPEC. DI APPLICAZIONE: - THIS DRAWING AND ALL OTHER INFORMATION CONTAINED THEREIN IS PROPRIETARY AND THE PROPERTY OF FCI. This drawing may not be copied, reproduced or disclosed to any third party without the expressed written permission of FCI. QUESTO DISEGNO ED OGNI ALTRA INFORMAZIONE IN ESSO CONTENUTA SONO ESCLUSIVI E DI PROPRIETA' DELLA FCI. Questo disegno non puo' essere copiato, riprodotto o divulgato a terzi senza l'espresso consenso scritto della FCI. © FCI April 1999								
TOLERANCES / TOLLERANZE: ± 0.3 mm / ± 1°		MATERIAL: / MATERIALE: see table		SURFACE FINISH / FINITURA SUPERFICIALE: -		 ISO PROJECTION / PROIEZIONE ISO: pro / eng. DIMENSION IN MILLIMETERS / DIMENSIONI IN MILLIMETRI: A3		SHEET / FOGLIO: 2 of 2
DO NOT SCALE DRAWING / DISEGNO FUORI SCALA		COLOUR: / COLORE: -		LOC. CODE / NAZIONALITA': IT				
DRAWN BY / DISEGNATORE: 09/01/03 R. Rampone		TITLE / DESCRIZIONE: 24 WAYS SECTIONING ASSEMBLY FEMALE HOLDER		DRAWING NUMBER / NUMERO DISEGNO: FSC 309602		 SCALE / SCALA: 2:1		
CHECKED BY / CONTROLLATO: 09/01/03 G. Stella		ESR NO. / NUMERO ESR: ITA2043		CAT. NO. / NUMERO CAT.: see table				