

THIS DRAWING IS UNPUBLISHED.

RELEASED FOR PUBLICATION

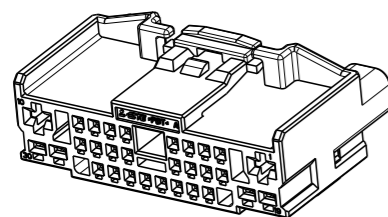
20

© COPYRIGHT20 BY -

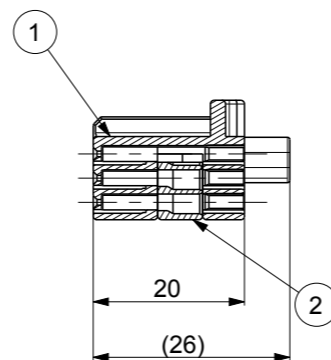
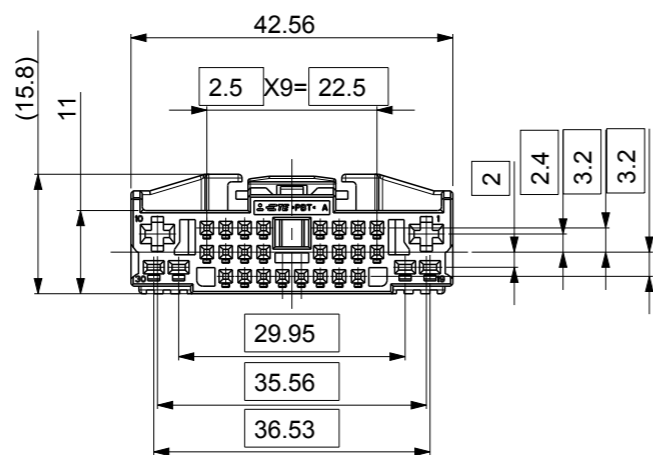
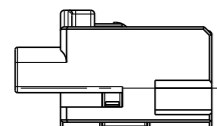
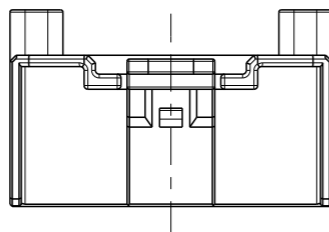
ALL RIGHTS RESERVED.

LOC	DIST
-	-

REVISIONS					
P	LTR	DESCRIPTION	DATE	DWN	APVD
	A	RELEASED	14.JUN'13	SH	HG
	A1	REVISED(ECR-15-015779)	28.OCT'15	SH	HG
	B	REVISED(ECR-17-010704)	15.SEP'17	SH	YJ



3D VIEW
SCALE 1:1



SECTION A-A

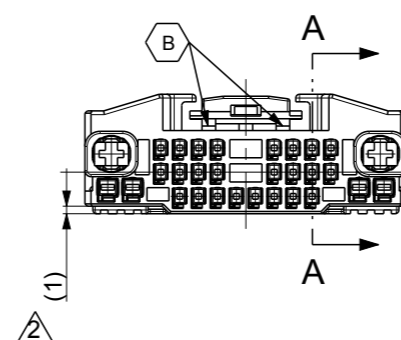


TABLE 1

TYPE	P/N	SQ
.025TH	2005097-1	0.22
	2005427-1	0.3~0.5
.060	2109006-1	0.22~0.35
	2109006-2	0.5~0.75
	2109006-3	0.85~1.25
.110 (MCP)	1-968880-1	0.35~0.5
	1-968849-1	>0.5~1.0
	1-968851-1	1.25~2.5
	1-968853-1	>2.5~3.0

NOTE

- 1. GENERAL TOLERANCE: $\pm 0.3, \pm 3^\circ$
- RETAINER IS PRE-LOCKING
- 3. APPLICABLE TERMINAL: SEE TABLE
- 4. MATING P/N: 2188394

DESCRIPTION	ASSY P/N	QTY
HYB 30P PLUG ASS'Y	2188391-1	1
HYB 30P PLUG ASS'Y	2188391-6	1

NO.	COLOR	MATERIAL	DESCRIPTION	Q'TY
2	BLACK	PBT	DBL FOR 30P PLUG ASS'Y	1
1	RED	PBT	025/060/110 30P HYB PLUG HSG	-
	NATURAL	PBT	025/060/110 30P HYB PLUG HSG	1

THIS DRAWING IS A CONTROLLED DOCUMENT.

DIMENSIONS: mm	TOLERANCES UNLESS OTHERWISE SPECIFIED: 0 PLC \pm 1 PLC \pm 2 PLC \pm 3 PLC \pm 4 PLC \pm ANGLES \pm FINISH -
-------------------	---

DWN SH JANG	NAME
CHK DG JEONG	025/060/110 HYB 30P PLUG ASSY
APVD YJ YOUN	
PRODUCT SPEC 108-61194	
APPLICATION SPEC	
WEIGHT	

STE TE Connectivity

025/060/110 HYB 30P PLUG ASSY

SIZE: **A3** CAGE CODE: 00779 DRAWING NO: C-2188391 RESTRICTED TO: -

CUSTOMER DRAWING SCALE: 1:1 SHEET 1 OF 1 REV B