



TE Internal #: 2201855-2
 Industrial Mini I/O Connectors, 1 x 1, Industrial Mini I/O, Plug,
 Shielded, Cat 5e, Cable-to-Board / Cable-to-Cable, 8 Position, 8
 Loaded Positions

[View on TE.com >](#)

Connectors > Modular Jacks & Plugs > Industrial Mini I/O Connectors > Mini I/O Cable Conn. Piercing D1



Port Matrix Configuration: **1 x 1**
 Modular Jacks & Plugs Products: **Industrial Mini I/O**
 Connector Contact Density: **High**
 Modular Connector Style: **Plug**
 Shielded: **Yes**

[All Mini I/O Cable Conn. Piercing D1 \(5\)](#)

Features

Product Type Features

Connectors & Connector Components Type	Connector
Panel Stops	Without
Modular Jack & Plug Interface Type	Industrial Mini I/O
Connector Product Type	Connector Assembly
Modular Jacks & Plugs Products	Industrial Mini I/O
Modular Connector Style	Plug
Connector System	Cable-to-Board, Cable-to-Cable
Sealable	No
Connector & Contact Terminates To	Wire & Cable

Configuration Features

Port Matrix Configuration	1 x 1
Connector Contact Density	High
Number of Positions	8
Number of Loaded Positions	8
Status Indicator Type	None

Signal Characteristics

Data Rate	10 Mb/s, 100 Mb/s, 1000 Mb/s
-----------	------------------------------



Body Features

Shield Material	Copper Alloy
Connector Profile	Standard
Shield Plating Material	Nickel

Contact Features

Contact Mating Area Plating Material	Gold
Contact Underplating Material	Nickel
Contact Base Material	Copper Alloy
Contact Current Rating (Max)	1.5 A

Mechanical Attachment

Mating Alignment Type	Keyed
Mating Alignment	With
Panel Mount Feature	Without
Connector Mounting Type	Cable Mount (Free-Hanging)

Housing Features

Housing Color	Black
Housing Material	Thermoplastic
Centerline (Pitch)	1.27 mm[.05 in]

Usage Conditions

Operating Temperature Range	-40 – 85 °C[-40 – 185 °F]
-----------------------------	---------------------------

Operation/Application

Shielded	Yes
Circuit Application	Power & Signal

Industry Standards

UL Flammability Rating	UL 94V-0
Performance Category	Cat 5e

Packaging Features

Packaging Quantity	1
Packaging Method	Blister Pack

Other

Comment	Type 1
Field Installable	No



Product Compliance

[For compliance documentation, visit the product page on TE.com>](#)

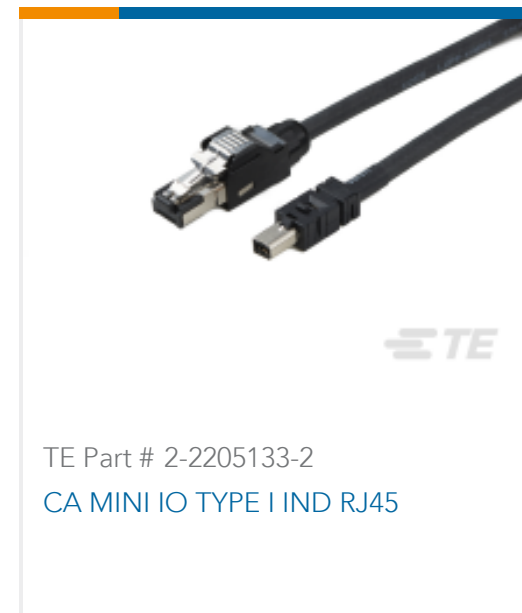
EU RoHS Directive 2011/65/EU	Compliant
EU ELV Directive 2000/53/EC	Compliant
China RoHS 2 Directive MIIT Order No 32, 2016	No Restricted Materials Above Threshold
EU REACH Regulation (EC) No. 1907/2006	Current ECHA Candidate List: JAN 2022 (223) Candidate List Declared Against: JAN 2022 (223) Does not contain REACH SVHC
Halogen Content	Not Low Halogen - contains Br or Cl > 900 ppm.
Solder Process Capability	Not applicable for solder process capability

Product Compliance Disclaimer

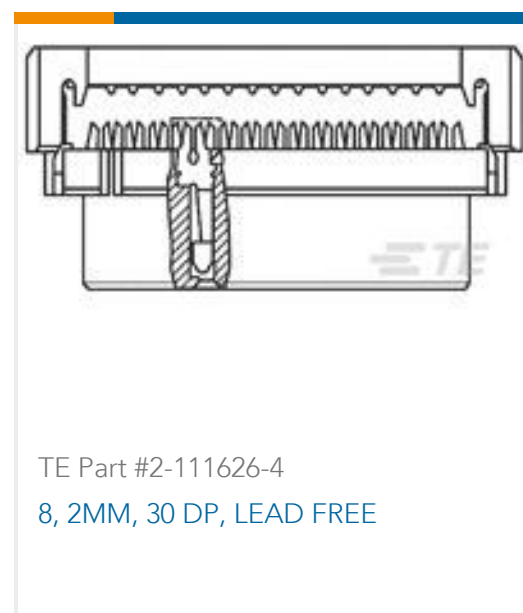
This information is provided based on reasonable inquiry of our suppliers and represents our current actual knowledge based on the information they provided. This information is subject to change. The part numbers that TE has identified as EU RoHS compliant have a maximum concentration of 0.1% by weight in homogenous materials for lead, hexavalent chromium, mercury, PBB, PBDE, DBP, BBP, DEHP, DIBP, and 0.01% for cadmium, or qualify for an exemption to these limits as defined in the Annexes of Directive 2011/65/EU (RoHS2). Finished electrical and electronic equipment products will be CE marked as required by Directive 2011/65/EU. Components may not be CE marked. Additionally, the part numbers that TE has identified as EU ELV compliant have a maximum concentration of 0.1% by weight in homogenous materials for lead, hexavalent chromium, and mercury, and 0.01% for cadmium, or qualify for an exemption to these limits as defined in the Annexes of Directive 2000/53/EC (ELV). Regarding the REACH Regulation, the information TE provides on SVHC in articles for this part number is based on the latest European Chemicals Agency (ECHA) 'Guidance on requirements for substances in articles' posted at this URL: <https://echa.europa.eu/guidance-documents/guidance-on-reach>

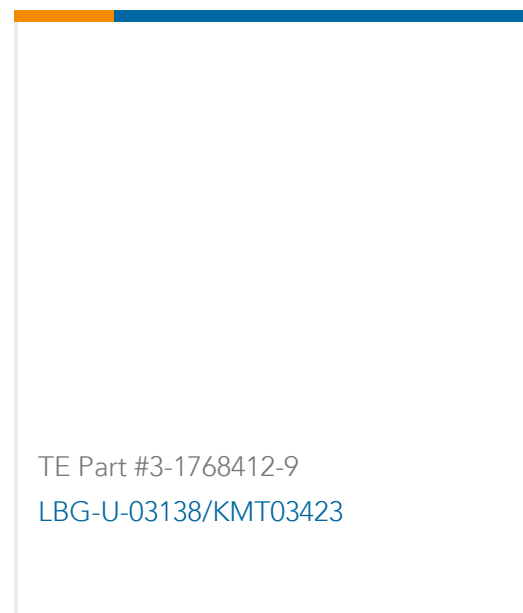
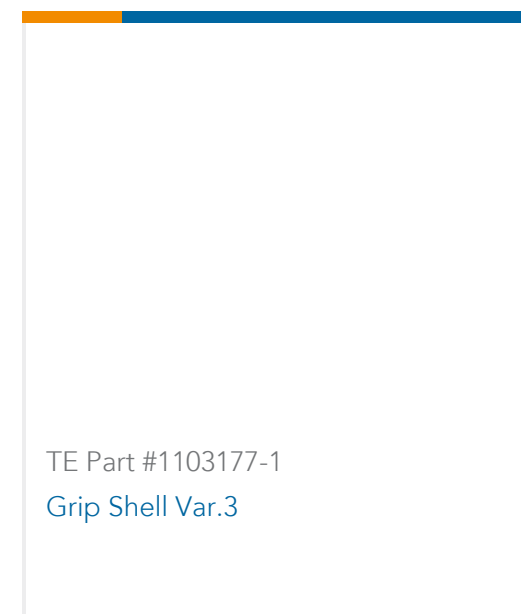
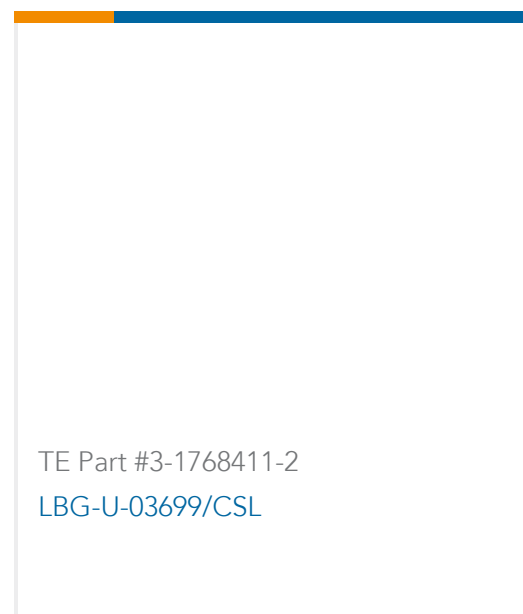
Compatible Parts

 <p>TE Part # CAT-IN291-M6641K Mini I/O Receptacle Kit Type 1 Piercing</p>	 <p>TE Part # 2287107-1 INDUSTRIAL MINI I/O PLUG</p>	 <p>TE Part # 2-2205131-1 CA MINI IO MINI IO TYPE I</p>	 <p>TE Part # 2-2205133-3 CA MINI IO TYPE I IND RJ45</p>
---	---	--	---



Customers Also Bought





Documents

Product Drawings

MINI I/O PLUG KIT TYPE I M

English

CAD Files

3D PDF

3D

Customer View Model

[ENG_CVM_CVM_2201855-2_B.2d_dxf.zip](#)

English

Customer View Model

[ENG_CVM_CVM_2201855-2_B.3d_igs.zip](#)

English

Customer View Model

[ENG_CVM_CVM_2201855-2_B.3d_stp.zip](#)

English

By downloading the CAD file I accept and agree to the [Terms and Conditions](#) of use.

Datasheets & Catalog Pages

[1-1773733-2_MINI_IO_FIELD_INSTALLABLE_FLYER](#)

English

[1-1773733-2_MINI_IO_FIELD_INSTALLABLE_FLYER](#)

English

Product Specifications

Application Specification

English



Product Environmental Compliance

TE Material Declaration

English

Agency Approvals

UL Report

English