

280072 ✓ ACTIVE

FASTIN-FASTON | FASTIN-FASTON 375

TE Internal #: 280072

Crimp Terminal Housings, Tab, Tab Housing, 4 Position, Straight, Natural, Polyamide, Mating Alignment, Cable Mount (Free-Hanging), FASTIN-FASTON 375

[View on TE.com >](#)



Terminals & Splices > Terminal Housings, Insulation Sleeves & Blocks > Crimp Terminal Housings



Terminal Type: **Tab**

Housing Type: **Tab Housing**

Number of Positions: **4**

Terminal Orientation: **Straight**

Primary Product Color: **Natural**

## Features

### Product Type Features

Terminates To	Wire & Cable
Product Type	Terminal Housing
Sealable	No
Housing Type	Tab Housing
Insulated	No

### Configuration Features

Number of Positions	4
---------------------	---

### Body Features

Primary Product Color	Natural
-----------------------	---------

### Contact Features

Terminal Type	Tab
Terminal Orientation	Straight
Contact Mating Retention	Without

### Mechanical Attachment

Mating Alignment	With
Crimp Terminal Housing Mounting Style	Cable Mount (Free-Hanging)

### Housing Features

Housing Material	Polyamide
------------------	-----------

### Dimensions

Length	43.8 mm[1.72 in]
--------	------------------

### Usage Conditions

Operating Temperature Range	-40 – 105 °C[-40 – 221 °F]
-----------------------------	----------------------------

### Packaging Features

Packaging Quantity	450
Packaging Method	Carton

### Product Compliance

[For compliance documentation, visit the product page on TE.com>](#)

EU RoHS Directive 2011/65/EU	Compliant
EU ELV Directive 2000/53/EC	Compliant
China RoHS 2 Directive MIIT Order No 32, 2016	No Restricted Materials Above Threshold
EU REACH Regulation (EC) No. 1907/2006	Current ECHA Candidate List: JAN 2022 (223) Candidate List Declared Against: JAN 2022 (223) Does not contain REACH SVHC
Halogen Content	Low Halogen - Br, Cl, F, I < 900 ppm per homogenous material. Also BFR/CFR/PVC Free
Solder Process Capability	Not applicable for solder process capability

#### Product Compliance Disclaimer

This information is provided based on reasonable inquiry of our suppliers and represents our current actual knowledge based on the information they provided. This information is subject to change. The part numbers that TE has identified as EU RoHS compliant have a maximum concentration of 0.1% by weight in homogenous materials for lead, hexavalent chromium, mercury, PBB, PBDE, DBP, BBP, DEHP, DIBP, and 0.01% for cadmium, or qualify for an exemption to these limits as defined in the Annexes of Directive 2011/65/EU (RoHS2). Finished electrical and electronic equipment products will be CE marked as required by Directive 2011/65/EU. Components may not be CE marked. Additionally, the part numbers that TE has identified as EU ELV compliant have a maximum concentration of 0.1% by weight in homogenous materials for lead, hexavalent chromium, and mercury, and 0.01% for cadmium, or qualify for an exemption to these limits as defined in the Annexes of Directive 2000/53/EC (ELV). Regarding the REACH Regulation, the information TE provides on SVHC in articles for this part number is based on the latest European Chemicals Agency (ECHA) 'Guidance on requirements for substances in articles' posted at this URL: <https://echa.europa.eu/guidance-documents/guidance-on-reach>

## Compatible Parts



TE Part # 626057-1  
FASTIN-ON .110 HOUSING TAB  
NYLON 6/6

## Also in the Series | FASTIN-FASTON 375



Crimp Terminal Housings(9)



Insertion & Extraction Tools(1)



Quick Disconnects(20)

## Customers Also Bought



TE Part #794191-1  
06P MINI UMNL2 CAP HSG UL94V0



TE Part #280756-2  
FF 375 REC 3-6MM2 TPBR



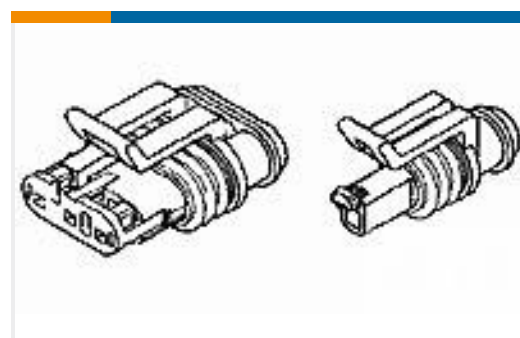
TE Part #925712-1  
.140 DIA SOCKET



TE Part #794220-1  
MINI UMNL2 PIN 22-18 AWG SN



TE Part #1-967623-1  
JUN-POW-TIM-GEH 15P



TE Part #282088-2  
AMP SUPERSEAL 1.5 SERIES 4P PL



TE Part #1241962-1  
SPT REC 6.3 Contact SWS Sn



TE Part #280771  
FF 250 & 375 REC HSG 2P NYLON  
NAT



## Documents

### Product Drawings

FF 375 TAB HSG 4P NYLON NAT

English

### CAD Files

3D PDF

3D

Customer View Model

[ENG\\_CVM\\_CVM\\_280072\\_H\\_c-280072-h.2d\\_dxf.zip](#)

English

Customer View Model

[ENG\\_CVM\\_CVM\\_280072\\_H\\_c-280072-h.3d\\_igs.zip](#)

English

Customer View Model

[ENG\\_CVM\\_CVM\\_280072\\_H\\_c-280072-h.3d\\_stp.zip](#)

English

By downloading the CAD file I accept and agree to the [Terms and Conditions](#) of use.

### Product Specifications

FASTIN-FASTON CONN. .110 INCH, .187 INCH, .250 INCH, .375 INCH SRS.

English

Product Specification

English