

144431-1 ✓ ACTIVE

AMP | Junior Power Timer

TE Internal #: 144431-1

Automotive Terminals, Receptacle, Mating Tab Width 2.8 mm [.11 in], Tab Thickness .031 in [.8 mm], 22 – 17 AWG Wire Size, Junior Power Timer

[View on TE.com >](#)



Terminals & Splices > Automotive Terminals > TIMER, RECEPTACLE AND TAB



Terminal Type: **Receptacle**

Mating Tab Width: **2.8 mm [.11 in]**

Mating Tab Thickness: **.8 mm [.031 in]**

Terminal Transmits: **0 – 24 A (Low Power)**

Wire Size: **22 – 17 AWG**

[All TIMER, RECEPTACLE AND TAB \(346\)](#)

Features

Product Type Features

Receptacle Style	180°
Sealable	No
Primary Locking Feature	Locking Lance

Contact Features

Typical Current Rating	5 A
Crimp Type	F-Crimp
Terminal Type	Receptacle
Mating Tab Width	2.8 mm [.11 in]
Mating Tab Thickness	.8 mm [.031 in]
Interface Plating	Tin (Sn)
Contact Termination Area Plating Material	Tin (Sn)

Termination Features

Termination Method to Wire & Cable	Crimp
Product Terminates To	Wire

Dimensions

Wire Size	.35 – 1 mm ²
-----------	-------------------------



Wire Size Search	17 AWG, 18 AWG, 19 AWG, 20 AWG, 21 AWG, 22 AWG
------------------	--

Wire Insulation Diameter	2.15 mm[.084 in]
--------------------------	------------------

Usage Conditions

Insulation Option	Uninsulated
-------------------	-------------

Operating Temperature (Max)	80 °C, 85 °C, 90 °C, 100 °C[176 °F][185 °F] [194 °F][212 °F]
-----------------------------	---

Operating Temperature Range	-40 – 100 °C[-40 – 212 °F]
-----------------------------	----------------------------

Operation/Application

Compatible With Wire Base Material	Copper
------------------------------------	--------

Packaging Features

Packaging Method	Reel
------------------	------

Packaging Quantity	4000
--------------------	------

Other

Terminal Transmits	0 – 24 A (Low Power)
--------------------	----------------------

Product Compliance

[For compliance documentation, visit the product page on TE.com>](#)

EU RoHS Directive 2011/65/EU	Compliant
------------------------------	-----------

EU ELV Directive 2000/53/EC	Compliant
-----------------------------	-----------

China RoHS 2 Directive MIIT Order No 32, 2016	No Restricted Materials Above Threshold
---	---

EU REACH Regulation (EC) No. 1907/2006	Current ECHA Candidate List: JAN 2022 (223) Candidate List Declared Against: JAN 2022 (223) Does not contain REACH SVHC
--	---

Halogen Content	Low Halogen - Br, Cl, F, I < 900 ppm per homogenous material. Also BFR/CFR/PVC Free
-----------------	---

Solder Process Capability	Not applicable for solder process capability
---------------------------	--

Product Compliance Disclaimer

This information is provided based on reasonable inquiry of our suppliers and represents our current actual knowledge based on the information they provided. This information is subject to change. The part numbers that TE has identified as EU RoHS compliant have a maximum concentration of 0.1% by weight in homogenous materials for lead, hexavalent chromium, mercury, PBB, PBDE, DBP, BBP, DEHP, DIBP, and 0.01% for cadmium, or qualify for an exemption to these limits as defined in the Annexes of Directive 2011/65/EU (RoHS2). Finished electrical and electronic equipment products will be CE marked as required by Directive 2011/65/EU. Components may not be CE marked. Additionally, the part numbers that TE has identified as EU ELV compliant have a maximum concentration of 0.1% by weight in homogenous

materials for lead, hexavalent chromium, and mercury, and 0.01% for cadmium, or qualify for an exemption to these limits as defined in the Annexes of Directive 2000/53/EC (ELV). Regarding the REACH Regulation, the information TE provides on SVHC in articles for this part number is based on the latest European Chemicals Agency (ECHA) 'Guidance on requirements for substances in articles' posted at this URL: <https://echa.europa.eu/guidance-documents/guidance-on-reach>

Compatible Parts



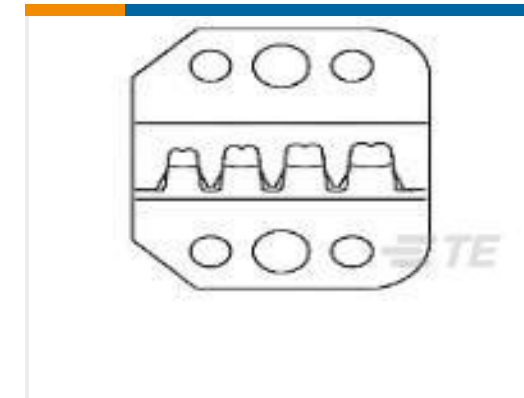
TE Part # 1579007-1
AUSDRUECKWERKZEUG



TE Part # 2305570-1
TERMINAL CUTTER, SIDE FEED



TE Part # CAT-T4827-CH8172
TIMER, CONNECTOR HOUSING



TE Part # 58570-2
PRO-CRIMPER DIE JR POWER TIMER



TE Part # 185402-1
MODULAR RELAY HOLDER



TE Part # 3-1579007-1
EXTRATION TOOL



TE Part # 185402-2
MODULAR RELAY HOLDER



TE Part # 2-2266633-1
OCEAN-2.0-APPLICATOR-S-070F110OV



TE Part # 2-2266633-2
OCEAN-2.0-APPLICATOR-S-070F110OV



TE Part # 2266633-1
OCEAN-2.0-APPLICATOR-S-070F110OV



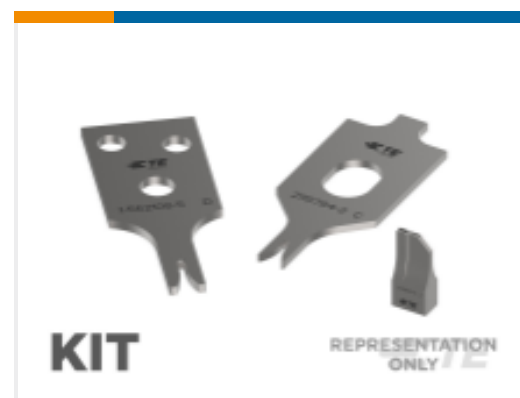
TE Part # 2266633-2
OCEAN-2.0-APPLICATOR-S-070F110OV



TE Part # 7-2266633-1
OCEAN-2.0-APPLICATOR-S-070F110OV



TE Part # 7-2266633-2
OCEAN-2.0-APPLICATOR-S-070F110OV



TE Part # 7-2266633-7
OCEAN_2.0_SPARE_PART_KIT-070F110OV



TE Part # 185402-3
MODULAR RELAY HOLDER



TE Part # 144471-5
CET 2 POS ASSY JPT



TE Part # 144473-6
CET 2 POS ASSY JPT



TE Part # 144169-1
8 POSITIONS MODULE



TE Part # 144473-2
CET 2 POS ASSY JPT



TE Part # 144473-7
CET 2 POS ASSY JPT

Also in the Series | Junior Power Timer



Automotive Connector Caps & Covers (5)



Automotive Housings(225)



Automotive Seals & Cavity Plugs(10)



Automotive Terminals(82)



Busbars & Terminals(1)



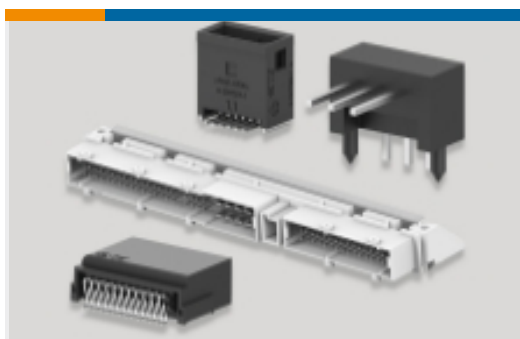
Insertion & Extraction Tools(9)



Module Components(8)

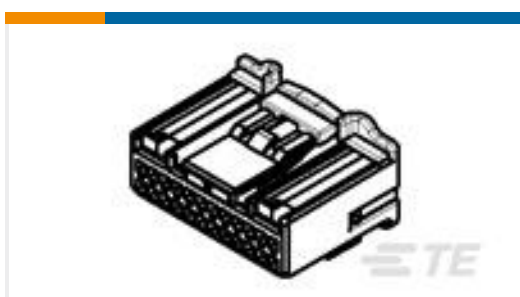


Other Automotive Connector Accessories(1)



PCB Headers & Receptacles(1)

Customers Also Bought



TE Part #1379668-2
24W PLUG HSG ASSY grey



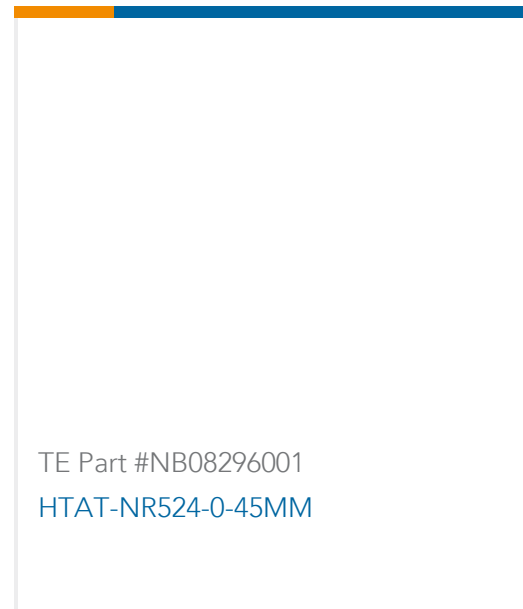
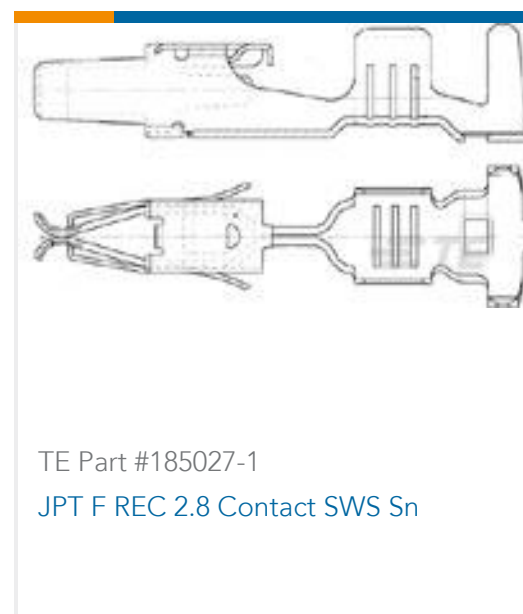
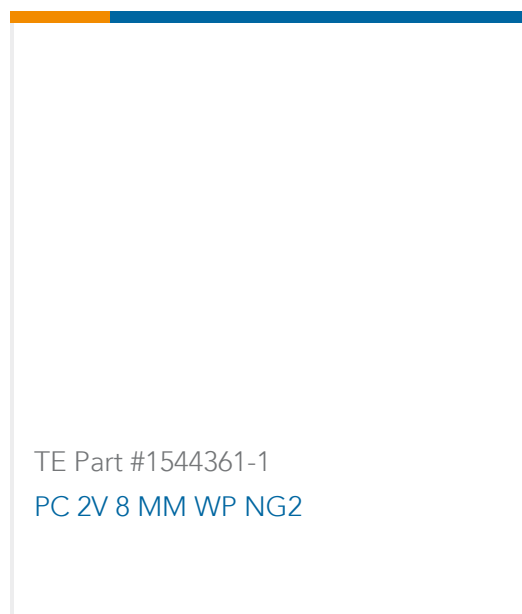
TE Part #929092-1
MCP2,8 GEH ASSY2X8P



TE Part #4-953893-1
8POS MIXED MQS REC



TE Part #185402-1
MODULAR RELAY HOLDER



Documents

Product Drawings

JPT F REC 2.8 Contact SRC Sn

English

CAD Files

3D PDF

3D

Customer View Model

[ENG_CVM_CVM_144431-1_M.2d_dxf.zip](#)

English

Customer View Model

[ENG_CVM_CVM_144431-1_M.3d_igs.zip](#)

English

Customer View Model

[ENG_CVM_CVM_144431-1_M.3d_stp.zip](#)

English

By downloading the CAD file I accept and agree to the [Terms and Conditions](#) of use.

Datasheets & Catalog Pages

Timer Interconnection System

English

Product Specifications

Application Specification

French

Product Environmental Compliance

Product Compliance



English

[Product Compliance](#)

English