



Connectors > Automotive Connectors > Connector Accessories > EMC Shielding



Shielding Accessory Type: **Ferrule**

Ferrule Material: **Copper Alloy**

Sealable: **No**

Features

Product Type Features

Shielding Accessory Type	Ferrule
Sealable	No

Contact Features

Ferrule Material	Copper Alloy
------------------	--------------

Product Compliance

[For compliance documentation, visit the product page on TE.com>](#)

EU RoHS Directive 2011/65/EU	Compliant
EU ELV Directive 2000/53/EC	Compliant
China RoHS 2 Directive MIIT Order No 32, 2016	No Restricted Materials Above Threshold
EU REACH Regulation (EC) No. 1907/2006	Current ECHA Candidate List: JAN 2022 (223) Candidate List Declared Against: JAN 2022 (223) Does not contain REACH SVHC
Halogen Content	Low Halogen - Br, Cl, F, I < 900 ppm per homogenous material. Also BFR/CFR/PVC Free
Solder Process Capability	Hand solderable with lead free solder

Product Compliance Disclaimer

This information is provided based on reasonable inquiry of our suppliers and represents our current actual knowledge based on the information they provided. This information is subject to change. The part numbers that TE has identified as EU RoHS compliant have a maximum concentration of 0.1% by weight in homogenous materials for lead, hexavalent chromium, mercury, PBB, PBDE, DBP, BBP, DEHP, DIBP, and 0.01% for cadmium, or qualify for an exemption to these

limits as defined in the Annexes of Directive 2011/65/EU (RoHS2). Finished electrical and electronic equipment products will be CE marked as required by Directive 2011/65/EU. Components may not be CE marked. Additionally, the part numbers that TE has identified as EU ELV compliant have a maximum concentration of 0.1% by weight in homogenous materials for lead, hexavalent chromium, and mercury, and 0.01% for cadmium, or qualify for an exemption to these limits as defined in the Annexes of Directive 2000/53/EC (ELV). Regarding the REACH Regulation, the information TE provides on SVHC in articles for this part number is based on the latest European Chemicals Agency (ECHA) 'Guidance on requirements for substances in articles' posted at this URL: <https://echa.europa.eu/guidance-documents/guidance-on-reach>

Compatible Parts



TE Part # 4-2103177-6
PLUG ASSY, KEY F, FA,CPA, HVA280-2PHI XE



TE Part # 4-2103177-1
PLUG ASSY, KEY A, FA,CPA, HVA280-2PHI XE



TE Part # 4-2103177-2
PLUG ASSY, KEY B, FA,CPA, HVA280-2PHI XE



TE Part # 4-2103177-5
PLUG ASSY, KEY E, FA,CPA, HVA280-2PHI XE



TE Part # 4-2103177-4
PLUG ASSY, KEY D, FA,CPA, HVA280-2PHI XE



TE Part # 1-2103177-1
PLUG ASSY, KEY A, TA, HVA280-2PHI XE



TE Part # 1-2103177-2
PLUG ASSY, KEY B, TA, HVA280-2PHI XE



TE Part # 1-2103177-4
PLUG ASSY, KEY D, TA, HVA280-2PHI XE



TE Part # 2103191-1
CAP SUBASSY, KEY A, HVA280-2PHI



TE Part # 2103191-2
CAP SUBASSY, KEY B, HVA280-2PHI



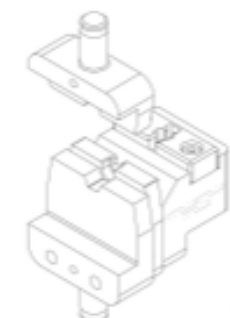
TE Part # 2103191-4
CAP SUBASSY, KEY D, HVA280-2PHI



TE Part # 2103191-5
CAP SUBASSY, KEY E, HVA280-2PHI



TE Part # 2103191-6
CAP SUBASSY, KEY F, HVA280-2PHI



TE Part # 2359750-1
DIE SET HVA280-2P F 4mm2



TE Part # 5-2103177-1
PLUG ASSY, KEY A, FA, HVA280-2PHI XE



TE Part # 5-2103177-2
PLUG ASSY, KEY B, FA, HVA280-2PHI XE



TE Part # 5-2103177-4
PLUG ASSY, KEY D, FA, HVA280-2PHI
XE



TE Part # 7-2359750-7
CRIMP TOOLING KIT

TE Part # 2063013-6
SDE DIE SET, 7.40 HEX


Also in the Series | **HVA 280**




Automotive Connector Caps & Covers
(4)



Automotive Connector EMC Shielding
(15)



Automotive Housings(74)




Automotive Seals & Cavity Plugs(7)



Electric, Hybrid & Fuel Cell Cable
Assemblies(6)



High Voltage Wire Processing
Equipment(7)



Other Automotive Connector
Accessories(37)



PCB Headers & Receptacles(36)

Customers Also Bought



TE Part #1587530-2
CABLE SEAL HVA SIZE C-D



TE Part #1587940-3
CABLE SEAL RETAINER, SIZE C



TE Part #2103191-1
CAP SUBASSY, KEY A, HVA280-2PHI



TE Part #2141608-4
5POS,AMP MCP6.3/4.8K,REC HSG,A



TE Part #2840451-1
CU ALLOY,INNER FERRULE,HC-STAK
25,SIZE 1



TE Part #A27820-000
FL2500-NO.3-J1-0-50MM



TE Part #1587827-3
CABLE SEAL RETAINER, SIZE C,
HVA280-2PI



TE Part #1587828-1
INNER FERRULE, SIZE A, HVA280-2PI



Documents

CAD Files

3D PDF

3D

Customer View Model

[ENG_CVM_CVM_1587829-3_B.2d_dxf.zip](#)

English

Customer View Model

[ENG_CVM_CVM_1587829-3_B.3d_igs.zip](#)

English

Customer View Model

[ENG_CVM_CVM_1587829-3_B.3d_stp.zip](#)

English

By downloading the CAD file I accept and agree to the [Terms and Conditions](#) of use.

Datasheets & Catalog Pages

HEMS Product Overview

English

Product Specifications

Application Specification

English

Application Specification

English

Product Environmental Compliance

Product Compliance

English

Product Compliance

English