

1355390-1 ✓ ACTIVE

AMP | Junior Power Timer

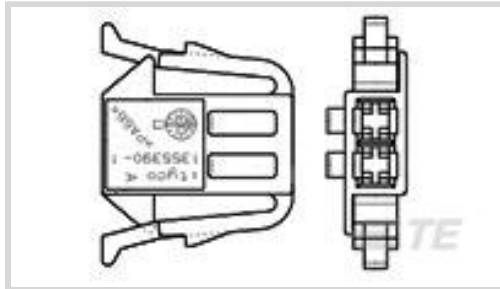
TE Internal #: 1355390-1

Housing for Female Terminals, Wire-to-Wire, 2 Position, .197 in [5 mm] Centerline, Black, Signal, Cable Mount (Free-Hanging), Junior Power Timer

[View on TE.com >](#)



Connectors > Automotive Connectors > Connector Housings > TIMER, CONNECTOR HOUSING



Connector & Housing Type: **Housing for Female Terminals**

Mating Tab Width: **2.8 mm [.11 in]**

Connector System: **Wire-to-Wire**

Number of Positions: **2**

Centerline (Pitch): **5 mm [.197 in]**

[All TIMER, CONNECTOR HOUSING \(543\)](#)

Features

Product Type Features

Connector & Housing Shape	Rectangular
Connector & Housing Type	Housing for Female Terminals
Connector System	Wire-to-Wire
Sealable	No
Hybrid Connector	No
Primary Locking Feature	On the Terminal

Configuration Features

Number of Positions	2
Number of Rows	1

Electrical Characteristics

Operating Voltage	12 VDC
Nominal Voltage Architecture	12 V

Body Features

Cable Exit Angle	180°
Body Material	PA
Primary Product Color	Black



Contact Features

Contact Size	2.8mm
Contact Type	Receptacle
Mating Tab Width	2.8 mm[.11 in]

Mechanical Attachment

Mounting Feature	Without
Terminal Position Assurance	No
Strain Relief	Add By Accessory
Mating Alignment Type	Polarized
Mating Alignment	With
Connector Mounting Type	Cable Mount (Free-Hanging)

Housing Features

Centerline (Pitch)	5 mm[.197 in]
--------------------	---------------

Dimensions

Product Length	11.4 mm[.449 in]
----------------	------------------

Usage Conditions

Operating Temperature (Max)	70 °C, 75 °C, 80 °C, 85 °C, 90 °C, 100 °C, 105 °C, 110 °C[158 °F][167 °F][176 °F][185 °F][194 °F][212 °F][221 °F][230 °F]
Operating Temperature Range	-40 – 110 °C[-40 – 230 °F]

Operation/Application

Circuit Application	Signal
---------------------	--------

Industry Standards

UL Flammability Rating	UL 94V-2
------------------------	----------

Packaging Features

Packaging Method	Carton
------------------	--------

Other

Serviceable	Yes
Connector Position Assurance Capable	No

Product Compliance

For compliance documentation, visit the product page on [TE.com](https://www.te.com)>



EU RoHS Directive 2011/65/EU	Compliant
EU ELV Directive 2000/53/EC	Compliant
China RoHS 2 Directive MIIT Order No 32, 2016	No Restricted Materials Above Threshold
EU REACH Regulation (EC) No. 1907/2006	Current ECHA Candidate List: JAN 2022 (223) Candidate List Declared Against: JAN 2022 (223) Does not contain REACH SVHC
Halogen Content	Low Halogen - Br, Cl, F, I < 900 ppm per homogenous material. Also BFR/CFR/PVC Free
Solder Process Capability	Not applicable for solder process capability

Product Compliance Disclaimer

This information is provided based on reasonable inquiry of our suppliers and represents our current actual knowledge based on the information they provided. This information is subject to change. The part numbers that TE has identified as EU RoHS compliant have a maximum concentration of 0.1% by weight in homogenous materials for lead, hexavalent chromium, mercury, PBB, PBDE, DBP, BBP, DEHP, DIBP, and 0.01% for cadmium, or qualify for an exemption to these limits as defined in the Annexes of Directive 2011/65/EU (RoHS2). Finished electrical and electronic equipment products will be CE marked as required by Directive 2011/65/EU. Components may not be CE marked. Additionally, the part numbers that TE has identified as EU ELV compliant have a maximum concentration of 0.1% by weight in homogenous materials for lead, hexavalent chromium, and mercury, and 0.01% for cadmium, or qualify for an exemption to these limits as defined in the Annexes of Directive 2000/53/EC (ELV). Regarding the REACH Regulation, the information TE provides on SVHC in articles for this part number is based on the latest European Chemicals Agency (ECHA) 'Guidance on requirements for substances in articles' posted at this URL: <https://echa.europa.eu/guidance-documents/guidance-on-reach>

Compatible Parts



TE Part # CAT-T4827-T273
TIMER, RECEPTACLE AND TAB



TE Part # 1718050-1
2 POS. TAB 2.8MM HSG

TE Part # 2302009-1
W/H REAR BLOWER, AI-TATA X104

Also in the Series | Junior Power Timer



Automotive Connector Caps & Covers (5)



Automotive Housings(225)



Automotive Seals & Cavity Plugs(10)



Automotive Terminals(82)



Busbars & Terminals(1)



Insertion & Extraction Tools(9)



Module Components(8)

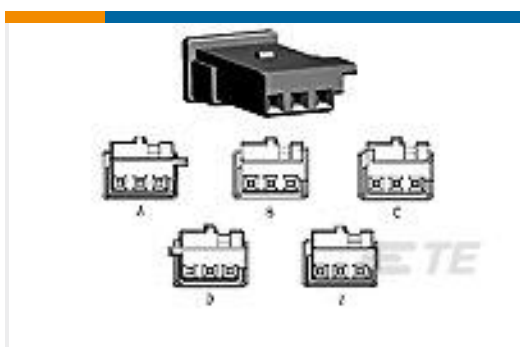


Other Automotive Connector Accessories(1)

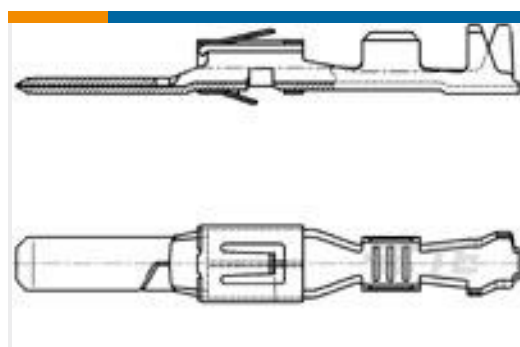


PCB Headers & Receptacles(1)

Customers Also Bought



TE Part #3-1718346-1
3POS MQS REC COD C



TE Part #962884-1
TAB AS 2.8x0.8 CONTACT CS SRC Sn



TE Part #1718050-1
TIMER, CONNECTOR HOUSING



TE Part #1746863-2
TH/.025 CONNECTOR SYSTEM, HOUSING



TE Part #2119785-6
CRIMPER, INSUL OVERLAP PREM



TE Part #2298566-1
22POSN.,TAB ASSY, MCON1.2, MQS, MCP2.8



TE Part #2298567-1
22POSN.,REC ASSY, MCON1.2, MQS, MCP2.8



TE Part #1-1563334-1
6POS MQS REC COD A

Documents



Product Drawings

JUN-POW-TIM GEH 2P

English

CAD Files

3D PDF

3D

Customer View Model

[ENG_CVM_CVM_1355390-1_A.2d_dxf.zip](#)

English

Customer View Model

[ENG_CVM_CVM_1355390-1_A.3d_igs.zip](#)

English

Customer View Model

[ENG_CVM_CVM_1355390-1_A.3d_stp.zip](#)

English

Customer View Model

[ENG_CVM_1355390-1_A4.3d_igs.zip](#)

English

Customer View Model

[ENG_CVM_1355390-1_A4.3d_stp.zip](#)

English

Customer View Model

[ENG_CVM_1355390-1_A4.2d_dxf.zip](#)

English

3D PDF

English

By downloading the CAD file I accept and agree to the [Terms and Conditions](#) of use.

Datasheets & Catalog Pages

Timer Interconnection System

English

Product Environmental Compliance

Product Compliance

English

Product Compliance

English