

1924464-2 ✓ ACTIVE

AMP | AMPSEAL 16

TE Internal #: 1924464-2

Automotive Terminals, Socket, Pin Diameter .063 in [1.59 mm], 20 – 18 AWG Wire Size, .51 – .82 mm² Wire Size, Locking Clean Body, AMPSEAL 16

[View on TE.com >](#)



Terminals & Splices > Automotive Terminals > Contacts: Size 16, 13A



Terminal Type: **Socket**

Mating Pin Diameter: 1.59 mm [.063 in]

Terminal Transmits: 0 – 24 A (Low Power)

Wire Size: .51 – .82 mm²

[All Contacts: Size 16, 13A \(33\)](#)

Features

Product Type Features

Receptacle Style	180°
Sealable	No
Primary Locking Feature	Clean Body

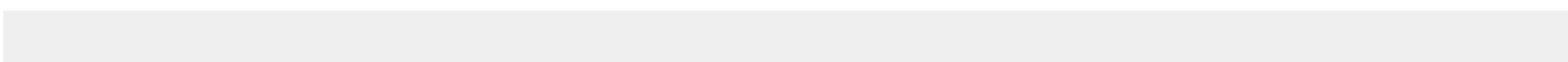
Contact Features

Contact Size	Size 16
Contact Fabrication	Stamped & Formed
Typical Current Rating	13 A
Crimp Type	F-Crimp
Terminal Type	Socket
Mating Pin Diameter	1.59 mm [.063 in]
Interface Plating	Nickel (Ni)
Contact Termination Area Plating Material	Tin (Sn)

Termination Features

Termination Method to Wire & Cable	Crimp
Product Terminates To	Wire

Dimensions





Wire Size	.51 – .82 mm ²
Wire Size Search	18 AWG, 19 AWG, 20 AWG
Wire Insulation Diameter	2.26 – 3.32 mm [.089 – .131 in]

Usage Conditions

Insulation Option	Uninsulated
Operating Temperature (Max)	80 °C, 85 °C, 90 °C, 100 °C, 105 °C, 110 °C, 120 °C [176 °F] [185 °F] [194 °F] [212 °F] [221 °F] [230 °F] [248 °F]
Operating Temperature Range	-40 – 120 °C [-40 – 248 °F]

Operation/Application

Compatible With Wire Base Material	Copper
------------------------------------	--------

Packaging Features

Packaging Method	Package
Packaging Quantity	4000

Other

Terminal Transmits	0 – 24 A (Low Power)
--------------------	----------------------

Product Compliance

[For compliance documentation, visit the product page on TE.com>](#)

EU RoHS Directive 2011/65/EU	Compliant
EU ELV Directive 2000/53/EC	Compliant
China RoHS 2 Directive MIIT Order No 32, 2016	No Restricted Materials Above Threshold
EU REACH Regulation (EC) No. 1907/2006	Current ECHA Candidate List: JAN 2022 (223) Candidate List Declared Against: JAN 2022 (223) Does not contain REACH SVHC
Halogen Content	Low Halogen - Br, Cl, F, I < 900 ppm per homogenous material. Also BFR/CFR/PVC Free
Solder Process Capability	Not applicable for solder process capability

Product Compliance Disclaimer

This information is provided based on reasonable inquiry of our suppliers and represents our current actual knowledge based on the information they provided. This information is subject to change. The part numbers that TE has identified as EU RoHS compliant have a maximum concentration of 0.1% by weight in homogenous materials for lead, hexavalent chromium, mercury, PBB, PBDE, DBP, BBP, DEHP, DIBP, and 0.01% for cadmium, or qualify for an exemption to these limits as defined in the Annexes of Directive 2011/65/EU (RoHS2). Finished electrical and electronic equipment products

will be CE marked as required by Directive 2011/65/EU. Components may not be CE marked. Additionally, the part numbers that TE has identified as EU ELV compliant have a maximum concentration of 0.1% by weight in homogenous materials for lead, hexavalent chromium, and mercury, and 0.01% for cadmium, or qualify for an exemption to these limits as defined in the Annexes of Directive 2000/53/EC (ELV). Regarding the REACH Regulation, the information TE provides on SVHC in articles for this part number is based on the latest European Chemicals Agency (ECHA) 'Guidance on requirements for substances in articles' posted at this URL: <https://echa.europa.eu/guidance-documents/guidance-on-reach>

Compatible Parts



TE Part # CAT-AM7801-CH8172
AMPSEAL 16 HOUSINGS



TE Part # 2119118-1
SDE Commercial Tool & Die



TE Part # 2305570-1
TERMINAL CUTTER, SIDE FEED



TE Part # 1924463-1
PIN, SF, SIZE 16, 18-20 AWG, AU/SN



TE Part # 2-2151962-1
OCEAN-2.0-APPLICATOR-S-080F125O



TE Part # 2-2151962-2
OCEAN-2.0-APPLICATOR-S-080F125OA



TE Part # 2119118-2
SDE Commercial Tool & Die



TE Part # 2151962-1
OCEAN-2.0-APPLICATOR-S-080F125O



TE Part # 2151962-2
OCEAN-2.0-APPLICATOR-S-080F125OA



TE Part # 5-2151962-1
OCEAN-2.0-APPLICATOR-S-080F125O



TE Part # 5-2151962-2
OCEAN-2.0-APPLICATOR-S-080F125OA



TE Part # 7-2151962-1
OCEAN-2.0-APPLICATOR-S-080F125O



TE Part # 7-2151962-2
OCEAN-2.0-APPLICATOR-S-080F125OA



KIT
TE Part # 7-2151962-7
OCEAN_2.0_SPARE_PART_KIT-080F125O

Also in the Series | **AMPSEAL 16**



Automotive Connector Caps & Covers (85)



Automotive Connector Locks & Position Assurance(2)



Automotive Housings(241)



Automotive Seals & Cavity Plugs(4)



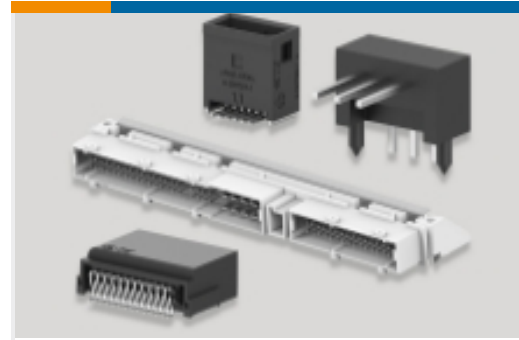
Automotive Terminals(33)



Data Connectivity Housings(3)



Other Automotive Connector Accessories(11)

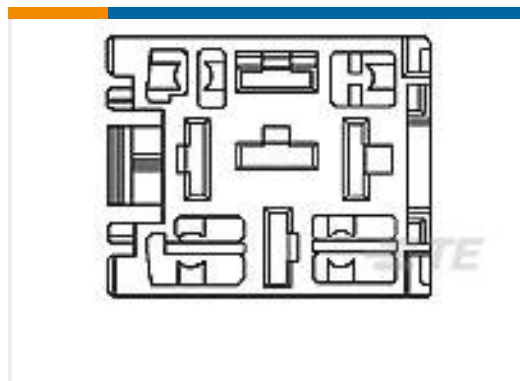


PCB Headers & Receptacles(3)

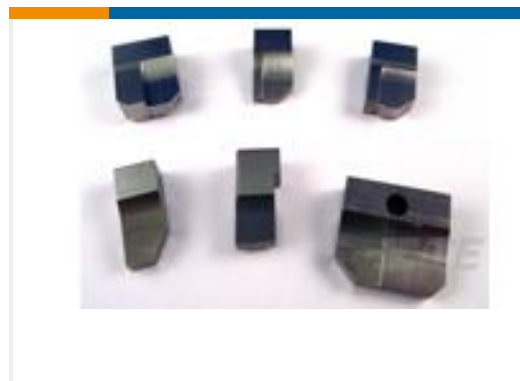
Customers Also Bought



TE Part #776533-2
AMPSEAL 16 HOUSINGS



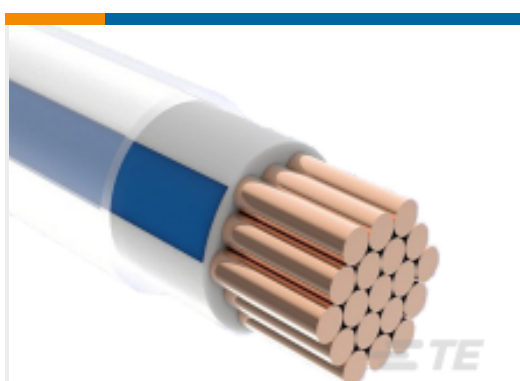
TE Part #280289-5
MODULAR RELAY CONN.



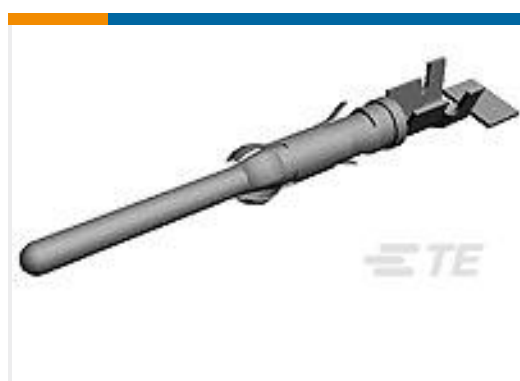
TE Part #1338692-2
ANVIL



TE Part #7-2151835-7
OCEAN_2.0_SPARE_PART_KIT-055F0700



TE Part #2394563001
ACW0219-0.35-2(NS)



TE Part #926982-1
CI 2 STIFT

Documents

Product Drawings

SOC, SF, SIZE 16, 18-20 AWG, NI/SN

English

CAD Files

3D PDF

3D

Customer View Model

ENG_CVM_CVM_1924464-2_B_c-1924464-2-b.2d_dxf.zip



English

Customer View Model

[ENG_CVM_CVM_1924464-2_B_c-1924464-2-b.3d_igs.zip](#)

English

Customer View Model

[ENG_CVM_CVM_1924464-2_B_c-1924464-2-b.3d_stp.zip](#)

English

By downloading the CAD file I accept and agree to the [Terms and Conditions](#) of use.

Datasheets & Catalog Pages

[ICT Terminals and Connectors Catalogue](#)

English

[CONNECTOR SELECTOR](#)

English

Product Specifications

[Product Specification](#)

English

Product Environmental Compliance

[Product Compliance](#)

English

[Product Compliance](#)

English