



MCON Interconnection System

TE Internal #: 1452668-3

TE Internal Description: MCON 1.2 LL REC SWS AG

MCON, RECEPTACLE AND TAB

[View on TE.com >](#)



All MCON, RECEPTACLE AND TAB (103)

Product Compliance

[For compliance documentation, visit the product page on TE.com>](#)

EU RoHS Directive 2011/65/EU	Compliant
EU ELV Directive 2000/53/EC	Compliant
China RoHS 2 Directive MIIT Order No 32, 2016	No Restricted Materials Above Threshold
EU REACH Regulation (EC) No. 1907/2006	Current ECHA Candidate List: JAN 2022 (223) Candidate List Declared Against: JAN 2022 (223) Does not contain REACH SVHC
Halogen Content	Low Halogen - Br, Cl, F, I < 900 ppm per homogenous material. Also BFR/CFR/PVC Free
Solder Process Capability	Not applicable for solder process capability

Product Compliance Disclaimer

This information is provided based on reasonable inquiry of our suppliers and represents our current actual knowledge based on the information they provided. This information is subject to change. The part numbers that TE has identified as EU RoHS compliant have a maximum concentration of 0.1% by weight in homogenous materials for lead, hexavalent chromium, mercury, PBB, PBDE, DBP, BBP, DEHP, DIBP, and 0.01% for cadmium, or qualify for an exemption to these limits as defined in the Annexes of Directive 2011/65/EU (RoHS2). Finished electrical and electronic equipment products will be CE marked as required by Directive 2011/65/EU. Components may not be CE marked. Additionally, the part numbers that TE has identified as EU ELV compliant have a maximum concentration of 0.1% by weight in homogenous materials for lead, hexavalent chromium, and mercury, and 0.01% for cadmium, or qualify for an exemption to these limits as defined in the Annexes of Directive 2000/53/EC (ELV). Regarding the REACH Regulation, the information TE provides on SVHC in articles for this part number is based on the latest European Chemicals Agency (ECHA) 'Guidance on requirements for substances in articles' posted at this URL: <https://echa.europa.eu/guidance-documents/guidance-on-reach>

Compatible Parts



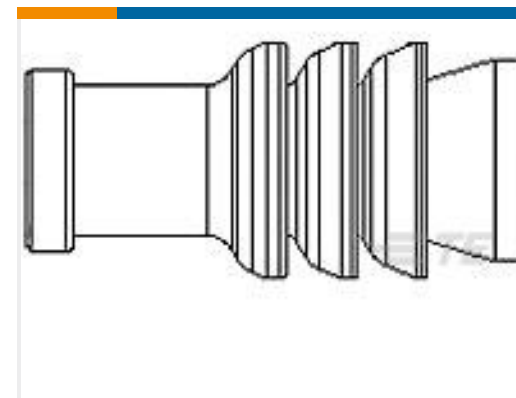
TE Part # CAT-M4595-CH8172  
MCON, CONNECTOR HOUSING



TE Part # 5-1579007-3  
EXTRACTION TOOL



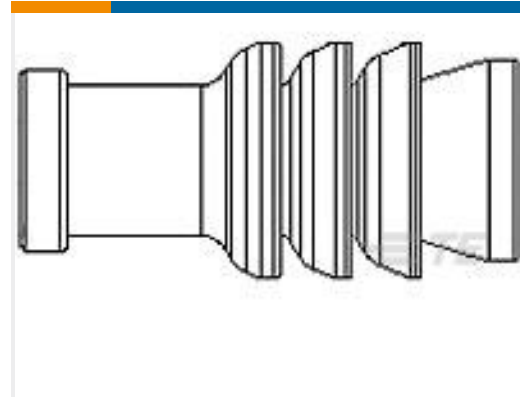
TE Part # 964972-1  
EINZELLEITERDICHTUNG



TE Part # 967067-2  
MOS EINZELLEITDICHT



TE Part # 1718760-3  
MCON 1.2 LL TAB SWS AG



TE Part # 967067-1  
MOS SGL WIRE SEAL



TE Part # 2-2151036-1  
OCEAN\_2.0\_APPLICATOR-S-055F125O



TE Part # 2-2151036-2  
OCEAN\_2.0\_APPLICATOR-S-055F125O



TE Part # 2151036-1  
OCEAN\_2.0\_APPLICATOR-S-055F125O



TE Part # 2151036-2  
OCEAN\_2.0\_APPLICATOR-S-055F125O



TE Part # 2177786-1  
5POS, MIXED, HSG, IEC62196-2 TYPE 2, BK



TE Part # 2177786-3  
5POS, MIXED, HSG, IEC62196-2 TYPE 2, Top



TE Part # 2177786-7  
5POS, MIXED, HSG, IEC62196-2 TYPE 2, right



TE Part # 2177798-1  
5POS, MIXED, HSG, IEC62196-2 TYPE 1, BK



TE Part # 2208383-1  
5POS, MIXED, HSG, INLET GB



TE Part # 5-2151036-1  
OCEAN\_2.0\_APPLICATOR-S-055F125O



TE Part # 5-2151036-2  
OCEAN\_2.0\_APPLICATOR-S-055F125O



TE Part # 7-2151036-1  
OCEAN\_2.0\_APPLICATOR-S-055F125O



TE Part # 7-2151036-2  
OCEAN\_2.0\_APPLICATOR-S-055F125O



TE Part # 7-2151036-7  
OCEAN\_2.0\_SPARE\_PART\_KIT-055F0720

Also in the Series | **MCON Interconnection System**



Automotive Connector Caps & Covers (24)



Automotive Connector Locks & Position Assurance(11)



Automotive Housings(288)



Automotive Seals & Cavity Plugs(4)



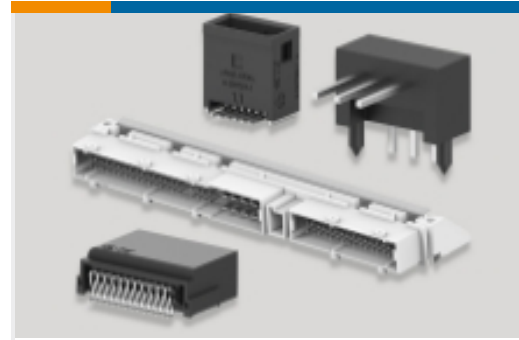
Automotive Terminals(113)



Insertion & Extraction Tools(31)



Other Automotive Connector Accessories(6)



PCB Headers & Receptacles(1)

### Customers Also Bought



TE Part #1379118-1  
MQS, CONNECTOR HOUSING



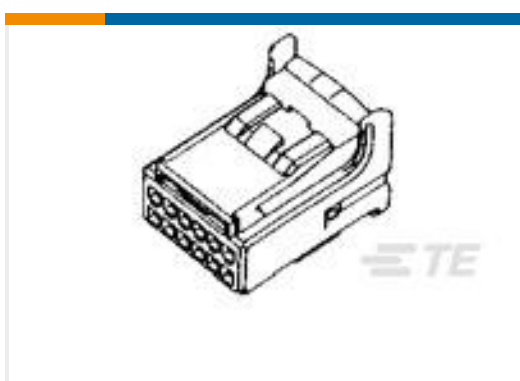
TE Part #1879457-1  
TE 2500W 1R0 5% Bracket



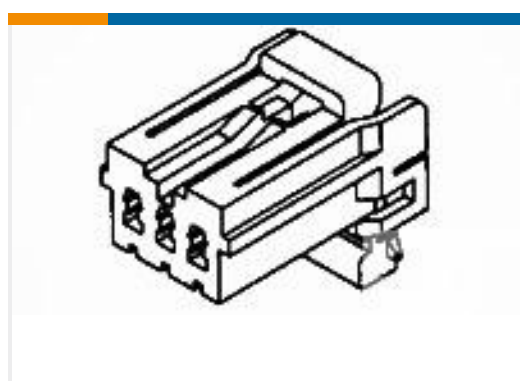
TE Part #680106-000  
D-609-05



TE Part #680104-000  
D-609-03



TE Part #1318774-2  
025 ECU PLUG HSG ASY 12P BLACK



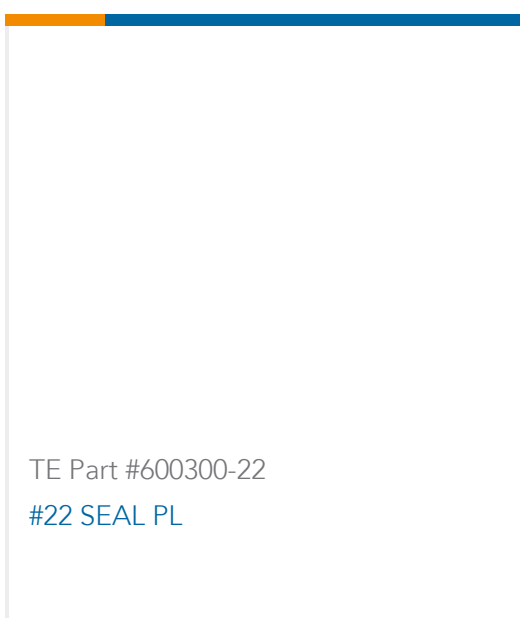
TE Part #1-174923-1  
070 MLC W-W PLUG HSG 6P F/A



TE Part #7-1452668-3  
MCON 1.2 LL REC SWS AG



TE Part #2098372-1  
EVC500, RELAY, SPST NO



TE Part #600300-22  
#22 SEAL PL

### Documents



## Product Drawings

MCON 1.2 LL REC SWS AG

German

---

## CAD Files

Customer View Model

[ENG\\_CVM\\_CVM\\_1452668-3\\_C.2d\\_dxf.zip](#)

English

## 3D PDF

3D

Customer View Model

[ENG\\_CVM\\_CVM\\_1452668-3\\_C.3d\\_igs.zip](#)

English

Customer View Model

[ENG\\_CVM\\_CVM\\_1452668-3\\_C.3d\\_stp.zip](#)

English

By downloading the CAD file I accept and agree to the [Terms and Conditions](#) of use.

---

## Datasheets & Catalog Pages

MCON Interconnection System

English

---

## Product Specifications

Application Specification

English