

1564984-3 ✓ ACTIVE

AMP | AMP MCP Connector System

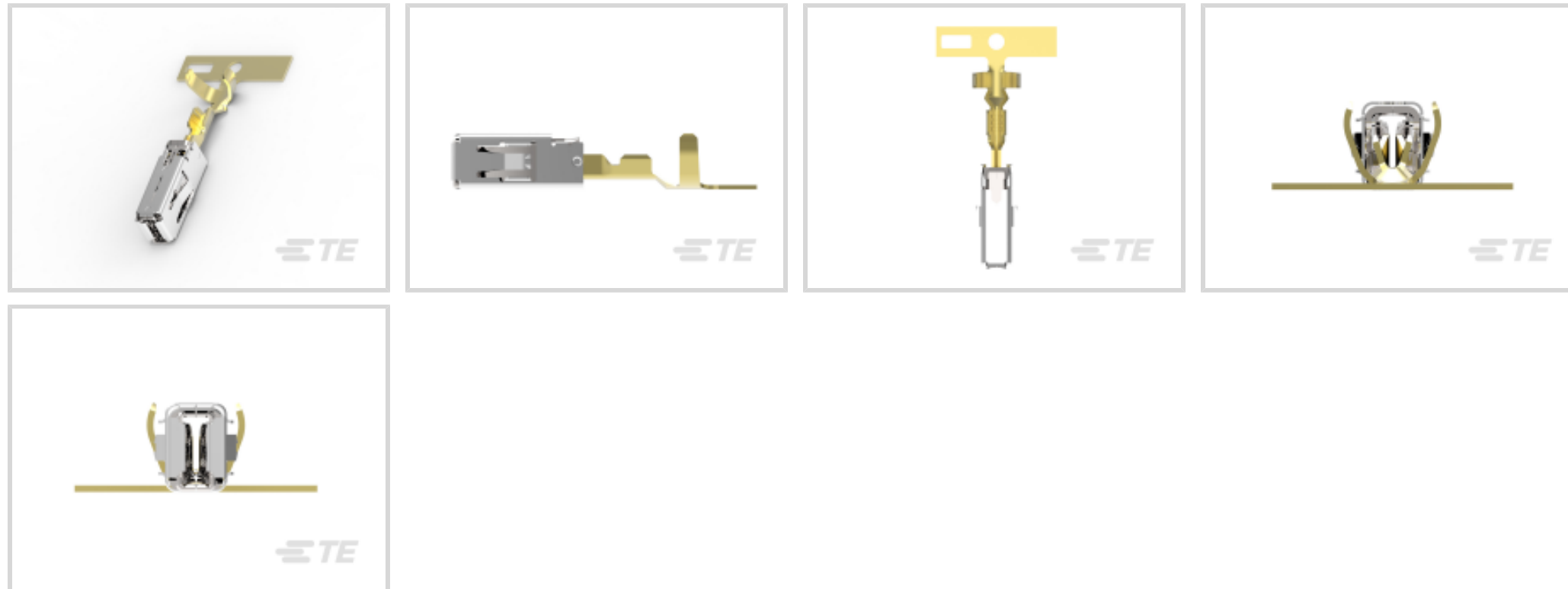
TE Internal #: 1564984-3

Automotive Terminals, Receptacle, Mating Tab Width 2.8 mm [.11 in], Tab Thickness .031 in / .024 in [.6 mm / .8 mm], AMP MCP Connector System

[View on TE.com >](#)



Terminals & Splices > Automotive Terminals > AMP MCP, RECEPTACLE AND TAB



Terminal Type: **Receptacle**

Mating Tab Width: **2.8 mm [.11 in]**

Mating Tab Thickness: **.6 mm, .8 mm [.024 in, .031 in]**

Terminal Transmits: **0 – 24 A (Low Power)**

Wire Size: **24 – 22 AWG**

[All AMP MCP, RECEPTACLE AND TAB \(125\)](#)

Features

Product Type Features

Receptacle Style	180°
Sealable	Yes
Primary Locking Feature	Locking Lance

Body Features

Terminal Seal Type	Single Wire Seal (SWS)
--------------------	------------------------

Contact Features

Typical Current Rating	11 A
Crimp Type	F-Crimp
Terminal Type	Receptacle
Mating Tab Width	2.8 mm [.11 in]
Mating Tab Thickness	.6 mm, .8 mm [.024 in] [.031 in]
Interface Plating	Silver (Ag)



Contact Termination Area Plating Material	Tin (Sn)
---	----------

Termination Features

Termination Method to Wire & Cable	Crimp
Product Terminates To	Wire

Dimensions

Wire Size	.2 – .35 mm ²
Wire Size Search	22 AWG, 23 AWG, 24 AWG
Wire Insulation Diameter	1.1 – 1.4 mm, 3.4 mm[.134 in]

Usage Conditions

Insulation Option	Uninsulated
Operating Temperature (Max)	80 °C, 85 °C, 90 °C, 100 °C, 105 °C, 110 °C, 120 °C, 125 °C, 130 °C, 140 °C[176 °F][185 °F][194 °F][212 °F][221 °F][230 °F][248 °F][257 °F][266 °F][284 °F]
Operating Temperature Range	-40 – 140 °C[-40 – 284 °F]

Operation/Application

Compatible With Wire Base Material	Copper
------------------------------------	--------

Packaging Features

Packaging Method	Reel
Packaging Quantity	3500

Other

Terminal Transmits	0 – 24 A (Low Power)
--------------------	----------------------

Product Compliance

[For compliance documentation, visit the product page on TE.com>](#)

EU RoHS Directive 2011/65/EU	Compliant
EU ELV Directive 2000/53/EC	Compliant
China RoHS 2 Directive MIIT Order No 32, 2016	No Restricted Materials Above Threshold
EU REACH Regulation (EC) No. 1907/2006	Current ECHA Candidate List: JAN 2022 (223) Candidate List Declared Against: JAN 2022 (223) Does not contain REACH SVHC
Halogen Content	Low Halogen - Br, Cl, F, I < 900 ppm per homogenous material. Also BFR/CFR/PVC

Free

Solder Process Capability

Not applicable for solder process capability

Product Compliance Disclaimer

This information is provided based on reasonable inquiry of our suppliers and represents our current actual knowledge based on the information they provided. This information is subject to change. The part numbers that TE has identified as EU RoHS compliant have a maximum concentration of 0.1% by weight in homogenous materials for lead, hexavalent chromium, mercury, PBB, PBDE, DBP, BBP, DEHP, DIBP, and 0.01% for cadmium, or qualify for an exemption to these limits as defined in the Annexes of Directive 2011/65/EU (RoHS2). Finished electrical and electronic equipment products will be CE marked as required by Directive 2011/65/EU. Components may not be CE marked. Additionally, the part numbers that TE has identified as EU ELV compliant have a maximum concentration of 0.1% by weight in homogenous materials for lead, hexavalent chromium, and mercury, and 0.01% for cadmium, or qualify for an exemption to these limits as defined in the Annexes of Directive 2000/53/EC (ELV). Regarding the REACH Regulation, the information TE provides on SVHC in articles for this part number is based on the latest European Chemicals Agency (ECHA) 'Guidance on requirements for substances in articles' posted at this URL: <https://echa.europa.eu/guidance-documents/guidance-on-reach>

Compatible Parts



TE Part # 963294-1
SINGLE WIRE SEAL INSULATION DI



TE Part # 2305570-1
TERMINAL CUTTER, SIDE FEED



TE Part # 2-2151484-1
OCEAN-2.0-APPLICATOR-S-062F1550



TE Part # 2-2151484-2
OCEAN-2.0-APPLICATOR-S-062F1550



TE Part # 2151484-1
OCEAN-2.0-APPLICATOR-S-062F1550



TE Part # 2151484-2
OCEAN-2.0-APPLICATOR-S-062F1550



TE Part # 5-2151484-1
OCEAN-2.0-APPLICATOR-S-062F1550



TE Part # 5-2151484-2
OCEAN-2.0-APPLICATOR-S-062F1550



TE Part # 7-2151484-1
OCEAN-2.0-APPLICATOR-S-062F1550



TE Part # 7-2151484-2
OCEAN-2.0-APPLICATOR-S-062F1550



KIT
TE Part # 7-2151484-7
OCEAN_2.0_SPARE_PART_KIT-062F1550



KIT
TE Part # 7-2836449-7
OC-062F1550-752-CRIMPTOOLINGKIT

Also in the Series | **AMP MCP Connector System**



Automotive Connector Caps & Covers (24)



Automotive Connector Locks & Position Assurance(7)



Automotive Housings(352)



Automotive Seals & Cavity Plugs(6)



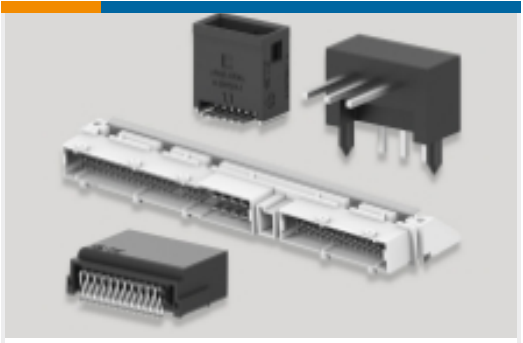
Automotive Terminals(125)



Insertion & Extraction Tools(13)

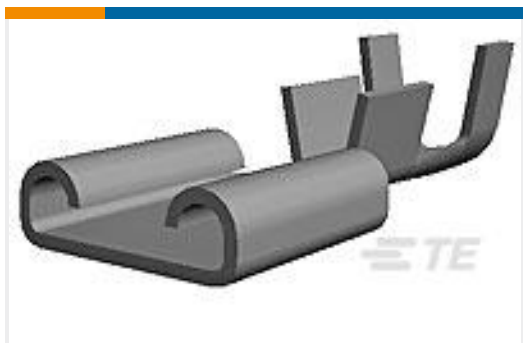


Other Automotive Connector Accessories(2)



PCB Headers & Receptacles(29)

Customers Also Bought



TE Part #160916-3
250 FASTON,REC.,17-14 AWG,PB



TE Part #1241396-3
AMP MCP 2.8K, CONTACT, SWS



TE Part #1-964302-3
TAB A 2.8x0.8 CONTACT CS SWS Au



TE Part #1670328-3
1.5MM SFC,CONTACT



TE Part #2282155-1
7POS,NANOMQS,REC HSG,CODA



TE Part #7121976001
RBK-VWS-125-NR3-X-65MM



TE Part #1-1801155-5
COVER FOR 2W HP CONNECTOR



TE Part #1-1801356-1
ROTATIVE COVER, RIGHT ANGLE,
2W HP CONN



TE Part #1801174-2
2W TAB HP CONNECTOR BLUE



TE Part #1-2141876-3
TAB A 2.8x0.8 CONTACT CF SWS Au

Documents



Product Drawings

AMP MCP 2.8K, CONTACT, SWS

English

CAD Files

3D PDF

3D

Customer View Model

[ENG_CVM_CVM_1564984-3_C.2d_dxf.zip](#)

English

Customer View Model

[ENG_CVM_CVM_1564984-3_C.3d_igs.zip](#)

English

Customer View Model

[ENG_CVM_CVM_1564984-3_C.3d_stp.zip](#)

English

By downloading the CAD file I accept and agree to the [Terms and Conditions](#) of use.

Product Specifications

Application Specification

German

Application Specification

German

Application Specification

English