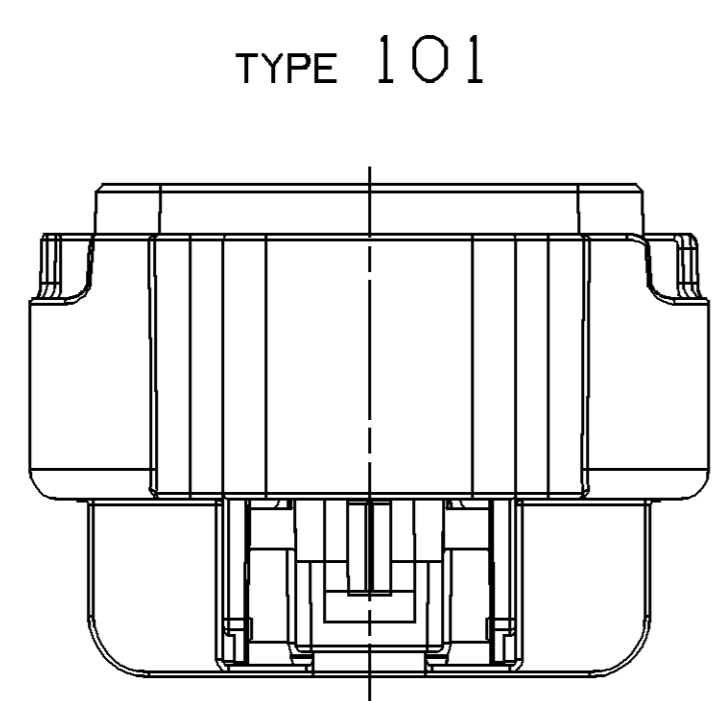
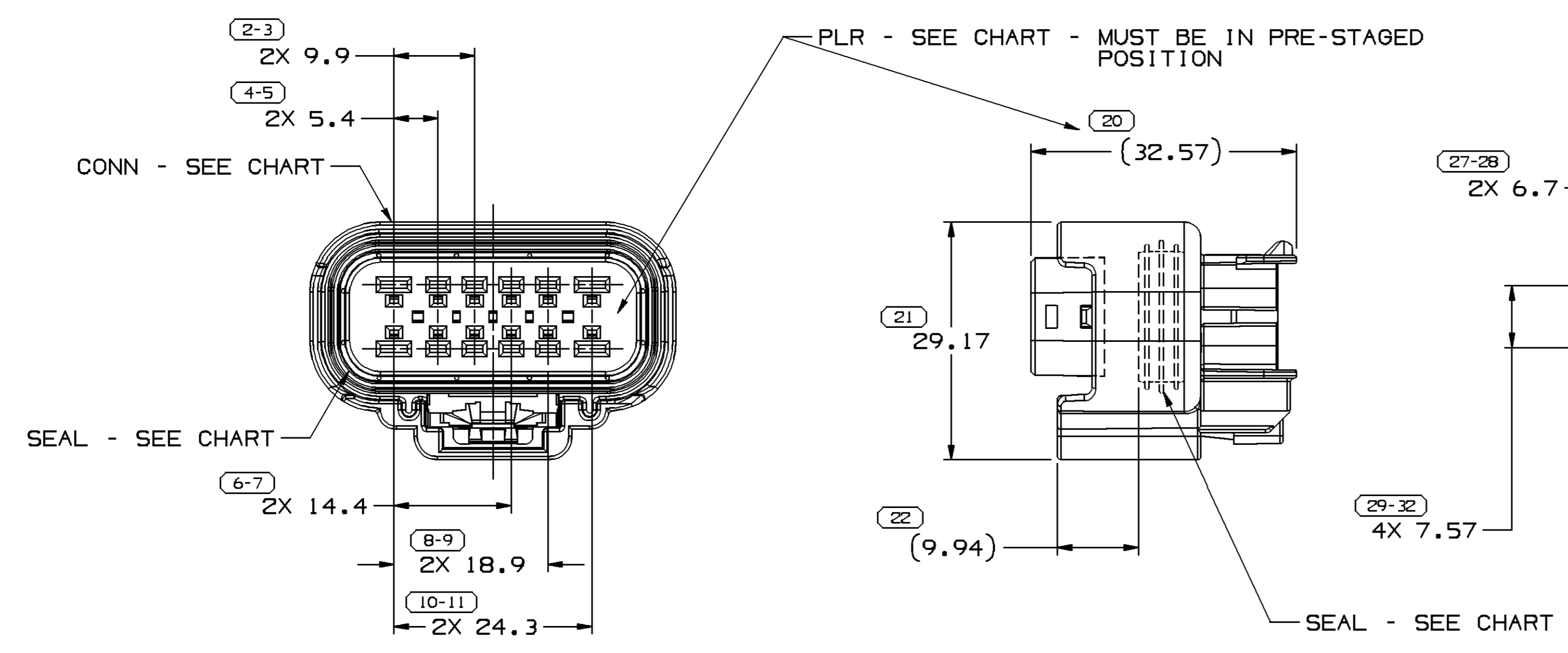
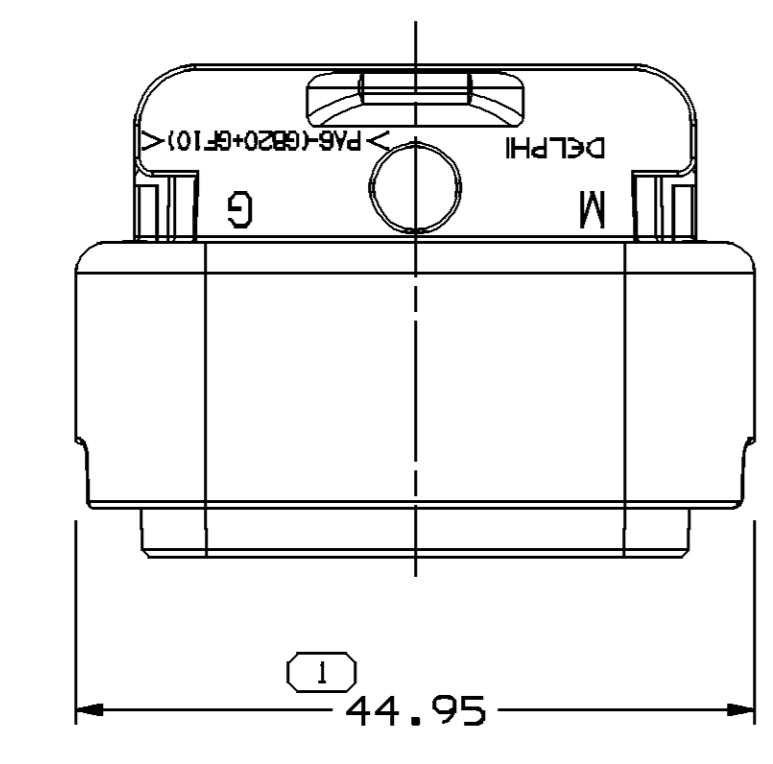
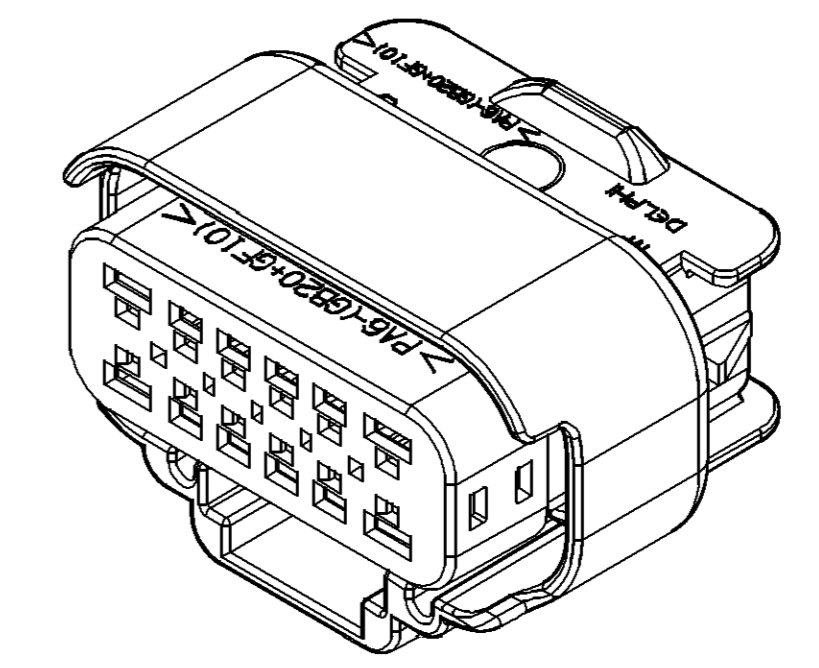
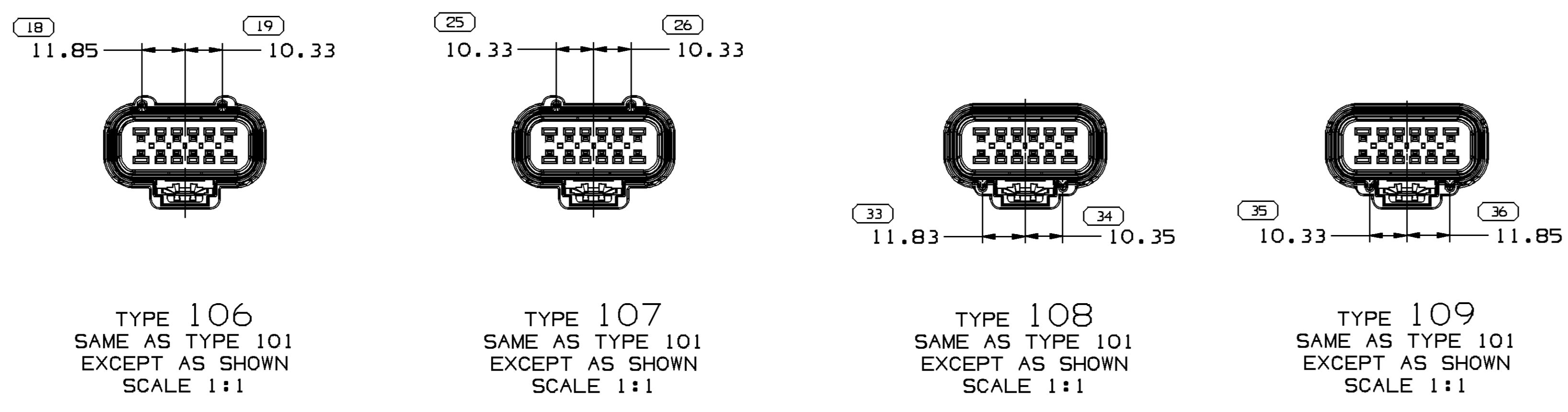
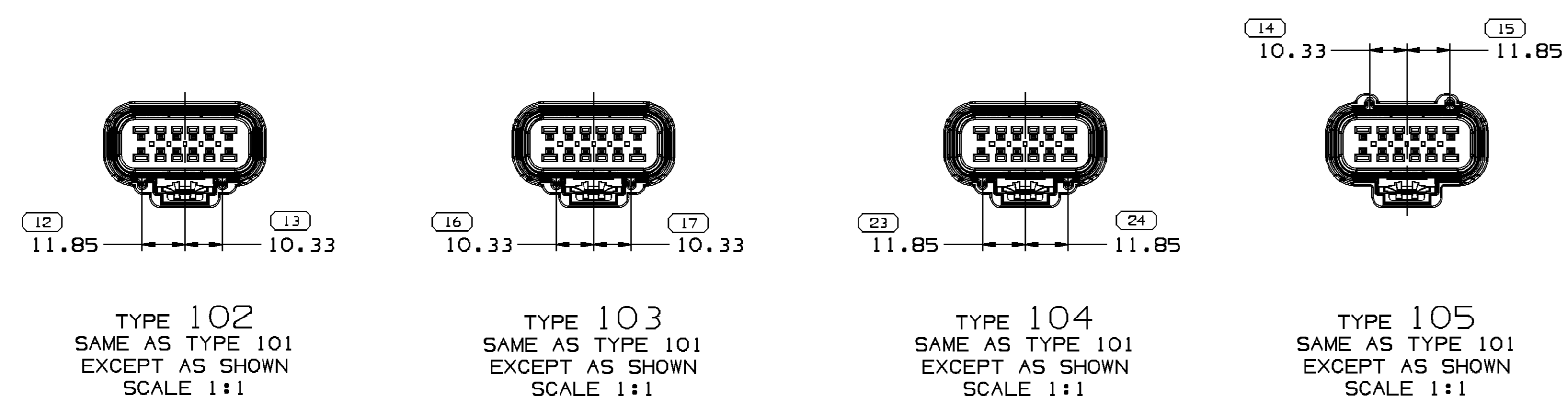


SYMBOL DEFINITION				MISSING NUMBERS		DWG STATUS		ZONE		REVISION HISTORY		AUTH		DR		AP/D	
DATE	STO	REV	N/P	CHG													
12NO02	R	05	-	-							CLEARED REVISION COLUMN: ADDED PARTS 15445017 AND 15445025	233265	RH	RH	CD		
18JUL03	R	06	-	-							15445017 - MATING CONN AND PLR ASM WAS 15336034	243602	JVM	JVM	AD		
07FEO5	R	07	-	-							15373533 - OBSOLETE AND ADDED NOTE	264233	ADK	ADK	JS		
21FEO6	R	08	-	-							ALL ACTIVE PARTS - ADDED TPA AND REVISED NOTES	277473	TLD	TLD	JS		
130006	R	09	-	-							ALL PARTS - REVISED CHART	284795	MM	MM	JS		
22FEO7	R	10	-	-							ALL ACTIVE PARTS - REVISED NOTE 5	400590	MM	MM	JS		
04AP07	R	11	-	-							ALL ACTIVE PARTS - ADDED CPA ON NOTE #5	401061	JTZ	AUG	PYP		



- NOTES
- UNLESS OTHERWISE SPECIFIED AND/OR INDICATED: DIMENSIONS ARE TO FACE OF VIEW SHOWN AND AUTOMATICALLY ROUNDED BY COMPUTER FOR INSPECTION (SEE MATH MODEL FOR PRECISE DIMENSIONS). FOR ALL OTHER DIMENSIONS NOT SHOWN BUT REQUIRED FOR TOOL BUILD, SEE MATH MODEL FOR PRECISE TOOL PATH DATA.
  - WHEN PARTS ARE SHIPPED THEY MUST BE PACKED IN PLASTIC BAGS OR SHIPPING CONTAINERS MUST BE LINED WITH PLASTIC LINERS. BAGS OR LINERS MUST BE SEALED TO AVOID FOREIGN MATTER.
  - SEALING CODE 2 - DESIGN WILL PASS SALT FOG TEST AFTER CONDITIONING AS SPECIFIED IN ESA-644 (WEATHER-PACK), ESA-710 (METRI-PACK), ESA-650 (UNDERHOOD MICRO-PACK), C-4006 (WORLD CONNECTOR), ETC WHEN MATED TO MATING PART OR EQUIVALENT.
  - REFERENCE MATING COMPONENTS OR EQUIVALENT: ASM CONN - SEE CHART
  - THIS PART ACCEPTS THE FOLLOWING COMPONENTS OR EQUIVALENT:
    - CAVITIES B,C,D,E,H,J,K & L TO ACCEPT 12191819 TERMINAL OR EQUIVALENT.
    - CAVITIES A,F,G & M TO ACCEPT 15304720 TERMINAL OR EQUIVALENT.
    - CABLE SEAL 150 CAVITIES 15366060
    - CABLE SEAL 280 CAVITIES 15366067
    - CAVITY PLUGS 150 CAVITIES 15305171
    - CAVITY PLUGS 280 CAVITIES 15305170
    - CONNECTOR POSITION ASSURANCE LOCK 15317832
    - TPA SEE CHART
  - FOR MATING CONFIGURATION REQUIREMENTS, SEE CHART.

PART DRAWING		DISTR CODE	
VOLUME 104P1	D	DISTR CODE	D

UNLESS OTHERWISE SPECIFIED:  
 THIS DOCUMENT IS IN ACCORDANCE WITH ASME Y14.5M-1994 AS MODIFIED BY THE IN CHARGE, OPERATIONS AND TELEPHONE AREA 110. SOME OF THE DIMENSIONS AND RELATED DATUM APPLY TO THE FILE # (PERFECT FORM AT THE END) NOT APPLY WITH RELATIONSHIP BETWEEN FEATURES IS ESTABLISHED BY ORIENTATION OR LOCATION TOLERANCES. SEPARATE POSITION CALLOUTS MAY BE SHOWN SEPARATELY, REGARDLESS OF DATUM REFERENCE.  
 ALL DIMENSIONS ARE IN MILLIMETERS.

(1) PROCESS SENSITIVE DIMENSION  
 DIMENSIONS ENCLOSED IN ( ) INDICATE REFERENCE DIMENSIONS AND NO TOLERANCE LIMITS ARE ESTABLISHED.

DIMENSIONAL RANGE (MM)	TOLERANCE UNLESS OTHERWISE SPECIFIED	SHORT ET
FROM > 0	> 30	> 100
TO 20	30	70
70	100	150
150	200	250
250	300	400
400	500	600
600	800	1000
1000	1500	2000
1500	2000	3000
2000	3000	4000
4000	6000	10000
6000	10000	15000
10000	15000	20000
15000	20000	30000
20000	30000	40000
30000	40000	50000
40000	50000	60000
50000	60000	70000
60000	70000	80000
70000	80000	90000
80000	90000	100000
90000	100000	150000
100000	150000	200000
150000	200000	300000
200000	300000	400000
300000	400000	500000
400000	500000	600000
500000	600000	700000
600000	700000	800000
700000	800000	900000
800000	900000	1000000
900000	1000000	1500000
1000000	1500000	2000000
1500000	2000000	3000000
2000000	3000000	4000000
3000000	4000000	5000000
4000000	5000000	6000000
5000000	6000000	7000000
6000000	7000000	8000000
7000000	8000000	9000000
8000000	9000000	10000000
9000000	10000000	15000000
10000000	15000000	20000000
15000000	20000000	30000000
20000000	30000000	40000000
30000000	40000000	50000000
40000000	50000000	60000000
50000000	60000000	70000000
60000000	70000000	80000000
70000000	80000000	90000000
80000000	90000000	100000000
90000000	100000000	150000000
100000000	150000000	200000000
150000000	200000000	300000000
200000000	300000000	400000000
300000000	400000000	500000000
400000000	500000000	600000000
500000000	600000000	700000000
600000000	700000000	800000000
700000000	800000000	900000000
800000000	900000000	1000000000
900000000	1000000000	1500000000
1000000000	1500000000	2000000000
1500000000	2000000000	3000000000
2000000000	3000000000	4000000000
3000000000	4000000000	5000000000
4000000000	5000000000	6000000000
5000000000	6000000000	7000000000
6000000000	7000000000	8000000000
7000000000	8000000000	9000000000
8000000000	9000000000	10000000000
9000000000	10000000000	15000000000
10000000000	15000000000	20000000000
15000000000	20000000000	30000000000
20000000000	30000000000	40000000000
30000000000	40000000000	50000000000
40000000000	50000000000	60000000000
50000000000	60000000000	70000000000
60000000000	70000000000	80000000000
70000000000	80000000000	90000000000
80000000000	90000000000	100000000000
90000000000	100000000000	150000000000
100000000000	150000000000	200000000000
150000000000	200000000000	300000000000
200000000000	300000000000	400000000000
300000000000	400000000000	500000000000
400000000000	500000000000	600000000000
500000000000	600000000000	700000000000
600000000000	700000000000	800000000000
700000000000	800000000000	900000000000
800000000000	900000000000	1000000000000
900000000000	1000000000000	1500000000000
1000000000000	1500000000000	2000000000000
1500000000000	2000000000000	3000000000000
2000000000000	3000000000000	4000000000000
3000000000000	4000000000000	5000000000000
4000000000000	5000000000000	6000000000000
5000000000000	6000000000000	7000000000000
6000000000000	7000000000000	8000000000000
7000000000000	8000000000000	9000000000000
8000000000000	9000000000000	10000000000000
9000000000000	10000000000000	15000000000000
10000000000000	15000000000000	20000000000000
15000000000000	20000000000000	30000000000000
20000000000000	30000000000000	40000000000000
30000000000000	40000000000000	50000000000000
40000000000000	50000000000000	60000000000000
50000000000000	60000000000000	70000000000000
60000000000000	70000000000000	80000000000000
70000000000000	80000000000000	90000000000000
80000000000000	90000000000000	100000000000000
90000000000000	100000000000000	150000000000000
100000000000000	150000000000000	200000000000000
150000000000000	200000000000000	300000000000000
200000000000000	300000000000000	400000000000000
300000000000000	400000000000000	500000000000000
400000000000000	500000000000000	600000000000000
500000000000000	600000000000000	700000000000000
600000000000000	700000000000000	800000000000000
700000000000000	800000000000000	900000000000000
800000000000000	900000000000000	1000000000000000
900000000000000	1000000000000000	1500000000000000
1000000000000000	1500000000000000	2000000000000000
1500000000000000	2000000000000000	3000000000000000
2000000000000000	3000000000000000	4000000000000000
3000000000000000	4000000000000000	5000000000000000
4000000000000000	5000000000000000	6000000000000000
5000000000000000	6000000000000000	7000000000000000
6000000000000000	7000000000000000	8000000000000000
7000000000000000	8000000000000000	9000000000000000
8000000000000000	9000000000000000	10000000000000000
9000000000000000	10000000000000000	15000000000000000
10000000000000000	15000000000000000	20000000000000000
15000000000000000	20000000000000000	30000000000000000
20000000000000000	30000000000000000	40000000000000000
30000000000000000	40000000000000000	50000000000000000
40000000000000000	50000000000000000	60000000000000000
50000000000000000	60000000000000000	70000000000000000
60000000000000000	70000000000000000	80000000000000000
70000000000000000	80000000000000000	90000000000000000
80000000000000000	90000000000000000	100000000000000000
90000000000000000	100000000000000000	150000000000000000
100000000000000000	150000000000000000	200000000000000000
150000000000000000	200000000000000000	300000000000000000
200000000000000000	300000000000000000	400000000000000000
300000000000000000	400000000000000000	500000000000000000
400000000000000000	500000000000000000	600000000000000000
500000000000000000	600000000000000000	700000000000000000
600000000000000000	700000000000000000	800000000000000000
700000000000000000	800000000000000000	900000000000000000
800000000000000000	900000000000000000	1000000000000000000
900000000000000000	1000000000000000000	1500000000000000000
1000000000000000000	1500000000000000000	2000000000000000000
1500000000000000000	2000000000000000000	3000000000000000000
2000000000000000000	3000000000000000000	4000000000000000000
3000000000000000000	4000000000000000000	5000000000000000000
4000000000000000000	5000000000000000000	6000000000000000000
5000000000000000000	6000000000000000000	7000000000000000000
6000000000000000000	7000000000000000000	8000000000000000000
7000000000000000000	8000000000000000000	9000000000000000000
8000000000000000000	9000000000000000000	