

1452503-2 ✓ ACTIVE

AMP | MCON Interconnection System

TE Internal #: 1452503-2

Automotive Terminals, Receptacle, Mating Tab Width 1.2 mm [.047 in], Tab Thickness .024 in [.6 mm], 17 – 15 AWG Wire Size, MCON Interconnection System

[View on TE.com >](#)



Terminals & Splices > Automotive Terminals > MCON, RECEPTACLE AND TAB



Terminal Type: **Receptacle**

Mating Tab Width: **1.2 mm [.047 in]**

Mating Tab Thickness: **.6 mm [.024 in]**

Terminal Transmits: **0 – 24 A (Low Power)**

Wire Size: **17 – 15 AWG**

[All MCON, RECEPTACLE AND TAB \(103\)](#)

Features

Product Type Features

Receptacle Style	180°
Sealable	No
Primary Locking Feature	Clean Body

Contact Features

Crimp Type	F-Crimp
Terminal Type	Receptacle
Mating Tab Width	1.2 mm [.047 in]
Mating Tab Thickness	.6 mm [.024 in]
Interface Plating	Gold (Au)

Termination Features

Termination Method to Wire & Cable	Crimp
Product Terminates To	Wire

Dimensions

Wire Size	1 – 1.5 mm ²
Wire Size Search	15 AWG, 16 AWG, 17 AWG
Wire Insulation Diameter	1.9 – 2.4 mm [.075 – .094 in]

Usage Conditions

Insulation Option	Uninsulated
Operating Temperature (Max)	80 °C, 85 °C, 90 °C, 100 °C, 105 °C, 110 °C, 120 °C, 125 °C, 130 °C, 140 °C, 145 °C, 150 °C [176 °F][185 °F][194 °F][212 °F][221 °F][230 °F][248 °F][257 °F][266 °F][284 °F][293 °F][302 °F]
Operating Temperature Range	-40 – 150 °C[-40 – 302 °F]

Operation/Application

Compatible With Wire Base Material	Copper
------------------------------------	--------

Packaging Features

Packaging Method	Reel
Packaging Quantity	8000

Other

Terminal Transmits	0 – 24 A (Low Power)
--------------------	----------------------

Product Compliance

[For compliance documentation, visit the product page on TE.com>](#)

EU RoHS Directive 2011/65/EU	Compliant
EU ELV Directive 2000/53/EC	Compliant
China RoHS 2 Directive MIIT Order No 32, 2016	No Restricted Materials Above Threshold
EU REACH Regulation (EC) No. 1907/2006	Current ECHA Candidate List: JAN 2022 (223) Candidate List Declared Against: JAN 2022 (223) Does not contain REACH SVHC
Halogen Content	Low Halogen - Br, Cl, F, I < 900 ppm per homogenous material. Also BFR/CFR/PVC Free
Solder Process Capability	Not applicable for solder process capability

Product Compliance Disclaimer

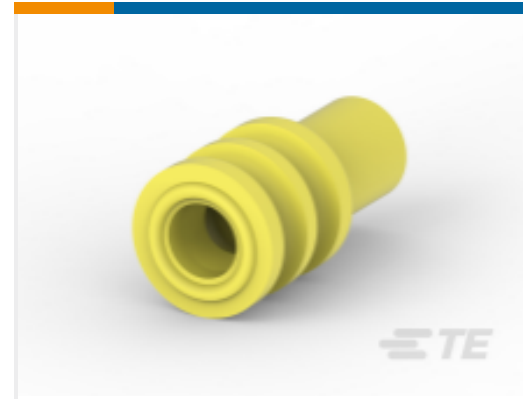
This information is provided based on reasonable inquiry of our suppliers and represents our current actual knowledge based on the information they provided. This information is subject to change. The part numbers that TE has identified as EU RoHS compliant have a maximum concentration of 0.1% by weight in homogenous materials for lead, hexavalent chromium, mercury, PBB, PBDE, DBP, BBP, DEHP, DIBP, and 0.01% for cadmium, or qualify for an exemption to these limits as defined in the Annexes of Directive 2011/65/EU (RoHS2). Finished electrical and electronic equipment products will be CE marked as required by Directive 2011/65/EU. Components may not be CE marked. Additionally, the part numbers that TE has identified as EU ELV compliant have a maximum concentration of 0.1% by weight in homogenous materials for lead, hexavalent chromium, and mercury, and 0.01% for cadmium, or qualify for an exemption to these limits as defined in the Annexes of Directive 2000/53/EC (ELV). Regarding the REACH Regulation, the information TE provides

on SVHC in articles for this part number is based on the latest European Chemicals Agency (ECHA) 'Guidance on requirements for substances in articles' posted at this URL: <https://echa.europa.eu/guidance-documents/guidance-on-reach>

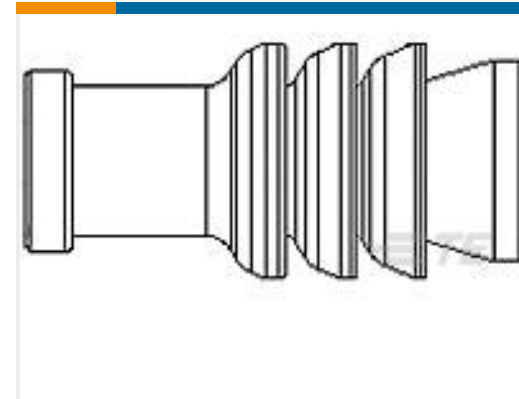
Compatible Parts



TE Part # 1452426-1
EXTRACTION TOOL



TE Part # 964972-1
EINZELLEITERDICHTNG



TE Part # 967067-2
MQS EINZELLEITDICHT



TE Part # 2305570-1
TERMINAL CUTTER, SIDE FEED



TE Part # CAT-M4595-CH8172
MCON, CONNECTOR HOUSING



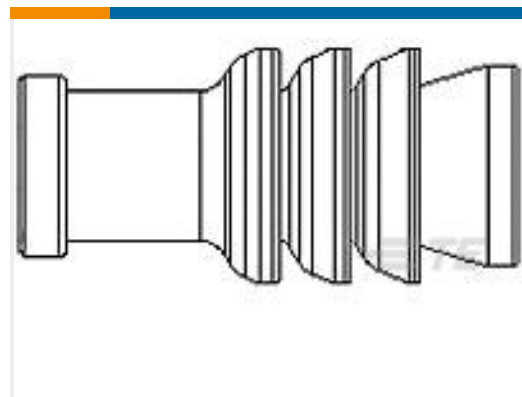
TE Part # 2137336-1
36 POS PLUG ASSEMBLY



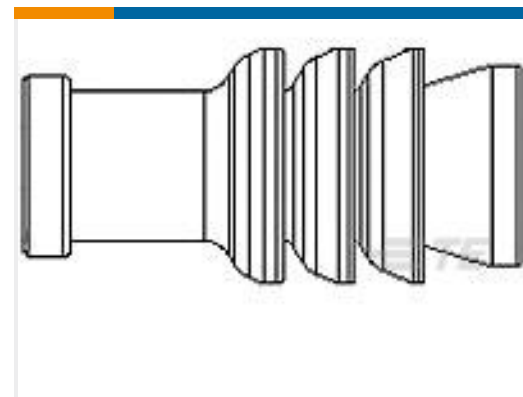
TE Part # 1-1579007-0
EXTRACTION TOOL



TE Part # 1579007-8
EXTRACTION TOOL



TE Part # 967056-1
MQS BLINDSTOPFEN4MM



TE Part # 967067-1
MQS SGL WIRE SEAL



TE Part # 1-1579001-3
DIE FOR 1,2MM CONTACT



TE Part # 1-2208720-1
105POS,MCON 1.2 CB,REC HSG, ASSY,SLD



TE Part # 1-2316374-1
48POS,MCON 1.2,REC HSG ASSY,SLD, COD NEUT



TE Part # 1-2316374-2
48POS,MCON 1.2,REC HSG ASSY,SLD, COD NEUT



TE Part # 1-2316374-3
48POS,MCON 1.2,REC HSG ASSY,SLD, COD NEUT



TE Part # 1-2316374-4
48POS,MCON 1.2,REC HSG ASSY,SLD, COD NEUT




TE Part # 1897462-2
5ATM 12P PLUG ASSY



TE Part # 2-2151468-2
OCEAN_2.0_Applicator-S-070F0900




TE Part # 1-2344951-2
104POS, MCON 1.2, REC HSG, ASSY, COD A



TE Part # 8-1452423-7
96 POS. PCM CPNECTOR


Also in the Series | MCON Interconnection System




Automotive Connector Caps & Covers (24)




Automotive Connector Locks & Position Assurance(11)




Automotive Housings(288)




Automotive Seals & Cavity Plugs(4)



Automotive Terminals(113)



Insertion & Extraction Tools(31)



Other Automotive Connector Accessories(6)



PCB Headers & Receptacles(1)

Customers Also Bought



TE Part #638245-1
TIMER, CONNECTOR HOUSING



TE Part #1-962918-2
TAB 5.8x0.8 CONTACT CS SWS Ag



TE Part #1564980-1
AMP MCP 1.5K, CONTACT



TE Part #2-2112162-1
21POS,TAB2.8X0.8,TABHSG,CODE B, ASSY,SLD



TE Part #4-968970-1
MCP2,8 GEH ASSY 6P



TE Part #NB09686001
ATUM-19/6-0-110MM



Documents

Product Drawings

[MCON 1.2 CB REC SRC AU](#)

German

CAD Files

Customer View Model

[ENG_CVM_CVM_1452503-2_C.2d_dxf.zip](#)

English

3D PDF

3D

Customer View Model

[ENG_CVM_CVM_1452503-2_C.3d_igs.zip](#)

English

Customer View Model

[ENG_CVM_CVM_1452503-2_C.3d_stp.zip](#)

English

By downloading the CAD file I accept and agree to the [Terms and Conditions](#) of use.

Datasheets & Catalog Pages

[MCON Interconnection System](#)

English

Product Specifications

[Product Specification](#)

English

Product Environmental Compliance

[Product Compliance](#)

English

[Product Compliance](#)

English